

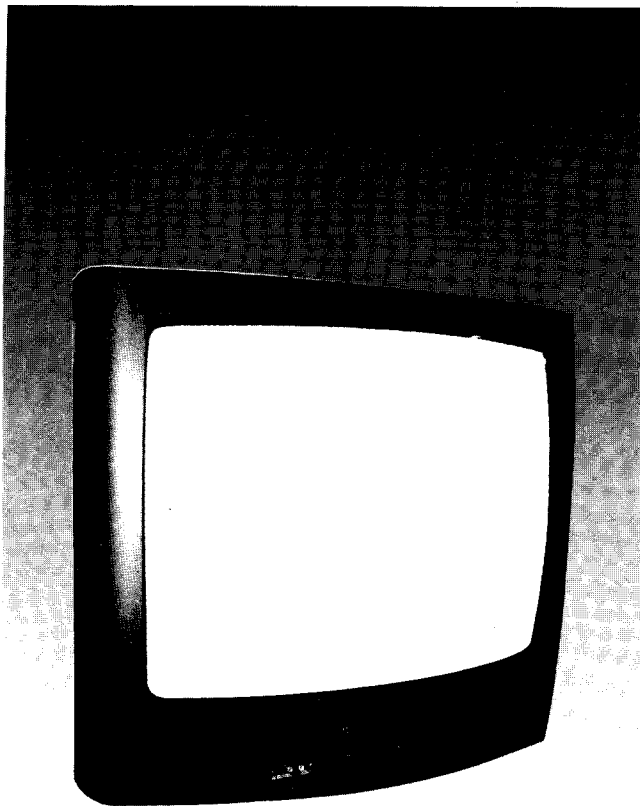
**SAMSUNG**

# COLOR TELEVISION RECEIVER

CHASSIS : KCT52A  
MODEL : TXE2045, TXE2046  
TXE2545, TXE2546, TXE2549  
TXE2745, TXE2746, TXE2749

# **SERVICE** *Manual*

## COLOR TELEVISION RECEIVER



## CONTENTS

1. Precautions
2. Specifications and IC Data
3. Alignment and Adjustment
4. Troubleshooting
5. Exploded Views and Parts List
6. Electric Parts List
7. Block Diagrams
8. PCB Layout
9. Wiring diagram
10. Schematic Diagrams

---

## 3. Alignment and Adjustment

---

### 3-1 Preadjustment

---

1. Since there are no VRs in the KCT52A chassis, all adjustments after parts replacement must be done VIA the Service Mode.
2. The Factory Mode adjustments are necessary when either the EEPROM (IC902) or the CRT is replaced.
3. Do not tamper with the " Adjustment" screen of the Factory Mode menu. This screen is intended only for factory use.

#### 3-1-1 When EEPROM (IC902) Is Replaced

1. When IC902 is replaced, all adjustment data revert to their initial values. It is necessary to re-program this data.
2. After IC902 is replaced, warm up the TV for 10 seconds.

Make the following adjustments AFTER setting up purity and convergence:

White Balance  
Sub-Brightness  
Vertical Center  
Vertical Size  
Horizontal Size (No use in 21" and 25" models)

### 3-2 Factory ("SERVICE") Mode

---

1. The set must be in Factory ("Service") Mode.  
Selection sequence:  
STAND-BY → MUTE → 1 → 8 → 2 → POWER ON
2. The " FACTORY MODE" message will be displayed. The Factory Mode has four components : Adjustment, Test Pattern, Set Option Byte, and Factory Reset.
3. Access the Adjustment Mode by pressing the "VOLUME" keys (▶, ◀).  
The adjustment parameters are listed in the accompanying table.  
Select them by pressing the CHANNEL keys (▲, ▼).
4. After completing the Factory Mode adjustments, turn the power switch OFF.

### 3-2-1 Adjustment

1. Selection sequence :  
STAND-BY → MUTE→1→8→2→POWER ON

2. Example : Sub-bright Adjustment

\*FACTORY MODE\*

Adjustment
Test Pattern
Set Option Byte
Factory Reset

↓ Press VOL ▶

AGC	43	VS	32
VCO	64	VA	13
SBT	9	HS	38
SCT	5	EWA	53
SCR	8	EWP	42
STT	10	EWC	31
RG	34	EWT	31
GG	32	VZM	25
BG	34	MAT	off
SCO	9	VOL	46
VSL	25		

↓ Press CH ▼

AGC	43	VS	32
VCO	64	VA	13
SBT	9	HS	38
SCT	5	EWA	53
SCR	8	EWP	42
STT	10	EWC	31
RG	34	EWT	31
GG	32	VZM	25
BG	34	MAT	off
SCO	9	VOL	46
VSL	25		

↓ Press VOL ◀ or ▶

SB	3
----	---

↓  
POWER OFF

## Main Adjustment Parameters

FUNCTION	OSD	RANGE	DATA
AUTO GAIN CONTROL	AGC	0 ~ 63	43
VOLTAGE CONTROL OSCILLATOR	VCO	0 ~ 127	64
SUB BRIGHT	SBT	0 ~ 13	5
SUB CONTRAST	SCT	0 ~ 13	10
SUB COLOR	SCR	0 ~ 13	8
SUB TINT	STT	0 ~ 13	2
RED GAIN	RG	0 ~ 63	32
GREEN GAIN	GG	0 ~ 63	32
BLUE GAIN	BG	0 ~ 63	32
S-CORRECTION	SCO	0 ~ 63	9
VERTICAL SLOPE	VSL	0 ~ 63	25

FUNCTION	OSD	RANGE	DATA
VERTICAL SHIFT	VS	0 ~ 63	32
VERTICAL AMPLITUDE	VA	0 ~ 63	22
HORIZONTAL SHIFT	HS	0 ~ 63	38
EAST WEST AMPLITUDE	EWA	0 ~ 63	53
EAST WEST PIN	EWP	0 ~ 63	42
EAST WEST CORNER	EWC	0 ~ 63	31
EAST WEST TILT	EWT	0 ~ 63	31
VERTICAL ZOOM	VZM	0 ~ 63 (NOT USED)	25
MATRIX	MAT	on/off	off
	VOL	0 ~ 63	46

NOTE : The actual data values vary according to model

### 3-2-2 Test Pattern (Aging Mode)

1. This mode can be used during servicing, or for confirming that the convergence and purity adjustments are correct.
2. Access the Test Pattern parameters by pressing the CHANNEL keys (▲, ▼) while the Service Mode is on. The cursor will move to the test pattern. Press the VOLUME keys. On-screen display:

RED
GREEN
BLUE

### 3-2-3 Set Option Byte

1. In the Service Mode, various options can be selected VIA the Option Bytes:

2. Example :

BYTE 0 : 00 FOR PIP MODEL  
 BYTE 1 : 00

BYTE 0 : 20 FOR NON-PIP MODEL  
 BYTE 1 : 00

Values Expressed In Hexadecimal Numbers :

OPTION BYTE 0	0 (HEX)	0 1 2 3	0: AIR/STD/HRC/IRC 1: AIR/STD/HRC/AFN  0: NON AUTO POWER OFF 1: AUTO POWER OFF AFTER 20MIN.  0: AUTO MUTE IN NO SIGNAL 1: NONE AUTO MUTE  0: HELP MESSAGE 1: NONE HELP MESSAGE
OPTION BYTE 1	0 (HEX)	0 1 2 3	0: NONE AUTO ON 1: AUTO ON  0: PIP 1: NONE PIP  0: SHARPNESS 4 STEP (STANDARD) 1: SHARPNESS 8 STEP (STANDARD)  DON'T CARE
	0 (HEX)	0 1 2 3	00: TV/VIDEO1/VIDEO2 01: TV/VIDEO1/VIDEO2 10: TV/VIDEO 11: TV/VIDEO  0: VIDEO IDENT MODE=IF-INT CONTROLS 1: VIDEO IDENT MODE=NO INFLUENCE  0: PICTURE LEVEL R/B=10 STEP 1: PICTURE LEVEL R/B= 5 STEP  DON'T CARE  DON'T CARE  DON'T CARE  DON'T CARE

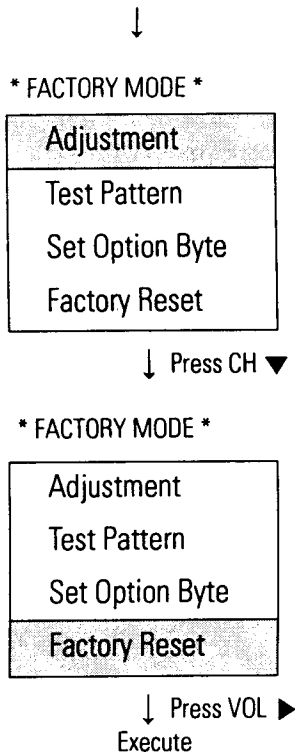
### 3-2-4 Factory Reset

When " Factory Reset" is selected, the User-Control data reverts to the initial values. : The User-Control data is available at MENU (picture, sound and the other functions etc.)

Note : When " Factory Reset" is selected, the Factory Mode Data does not change.

Selection sequence :

Stand-By → MUTE → 1 → 8 → 2 → POWER ON



### 3-3 Other Adjustments

---

#### 3-3-1 General

1. Usually, a color TV needs only slight touch-up adjustment upon installation. Check the basic characteristics such as height, horizontal and vertical sync and focus.
2. Observe the picture for good black and white details. There should be no objectionable color shading. If color shading is present, perform the purity and convergence adjustments described below.
3. Use the specified test equipment or its equivalent.
4. Correct impedance matching is essential.
5. Avoid overload. Excessive signal from a sweep generator might overload the front-end of the TV. When inserting signal markers, do not allow the marker generator to distort test results.
6. Connect the TV only to an AC power source with voltage and frequency as specified on the backcover nameplate.
7. Do not attempt to connect or disconnect any wires while the TV is turned on. Make sure that the power cord is disconnected before replacing any parts.
8. To protect against shock hazard, use an isolation transformer.

### 3-3-2 Automatic Degaussing

A degaussing coil is mounted around the picture tube, so external degaussing after moving the TV should be unnecessary. However, the receiver must be properly degaussed upon installation.

The degaussing coil operates for about 1 second after the power is switched ON. If the set has been moved or turned in a different direction, disconnect its AC power for at least 10 Minutes.

If the chassis or parts of the cabinet become magnetized, poor color purity will result. If this happens, use an external degaussing coil. Slowly move the degaussing coil around the faceplate of the picture tube and the sides and front of the receiver. Slowly withdraw the coil to a distance of about 6 feet before removing power.

### 3-3-3 High Voltage Check

**CAUTION :** There is no high voltage adjustment on this chassis. The B<sup>+</sup> power supply must be set to either +130V or +125V (for 20" screen). Conditions : Full color bar input and normal picture level.

1. Connect a digital voltmeter to the second anode of the picture tube.
2. Turn on the TV. Set the Brightness and Contrast controls to minimum (zero beam current).
3. The high voltage should not exceed 29.5KV.
4. Adjust the Brightness and contrast controls to both extremes. Ensure that the high voltage does not exceed 29.5KV under any conditions.

SIZE	20"	25"	27"
MAX H-VOLTAGE	27.5KV	28.5KV	29.5KV

### 3-3-4 FOCUS Adjustment

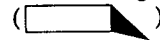
1. Input a black and white signal.
2. Adjust the tuning control for the clearest picture.
3. Adjust the FOCUS control for well defined scanning lines in the center area of the screen.

### 3-3-5 B<sup>+</sup> Line Check

There are 3 power modes :

1. "A" : When AC power supply is connected ; " Stand-By" mode.
2. "B" : When " Set Power-ON" button is pressed.
3. "C" : Operated by FBT.

Each voltage is marked on its lead-in wire.



### 3-3-6 F/S (Fail Safe) Circuit Check

1. The failsafe circuit check is the final step after servicing.
2. Turn the power switch on and adjust the screen for "Normal".
3. Temporarily short Pin R and Pin X on the chassis (RX05, RX04). Sound and picture will disappear.
4. The TV should remain in this state. This shows that the failsafe circuit is working properly.
5. To restore picture and sound, temporarily turn off the AC power supply. After about 30 seconds, switch power ON.

### 3-3-7 Color Purity Adjustment

1. Warm up the receiver. Operate it for 20 minutes, with the Brightness control set to maximum.
2. Fully degauss the receiver. Use an external degaussing coil.
3. Roughly adjust convergence by rotating the convergence magnet.
4. Input a black and white signal.
5. Loosen the Deflection Yoke clamp screw, and move the Deflection Yoke as close to the purity magnet as possible.
6. Loosen the Purity Magnet clamp. Adjust the purity magnet so that the vertical green raster is precisely at the center of the screen. Then tighten the clamp.
7. Slowly move the Deflection Yoke forward, and adjust it for the best overall green screen.
8. Tighten the Deflection Yoke clamp screw.

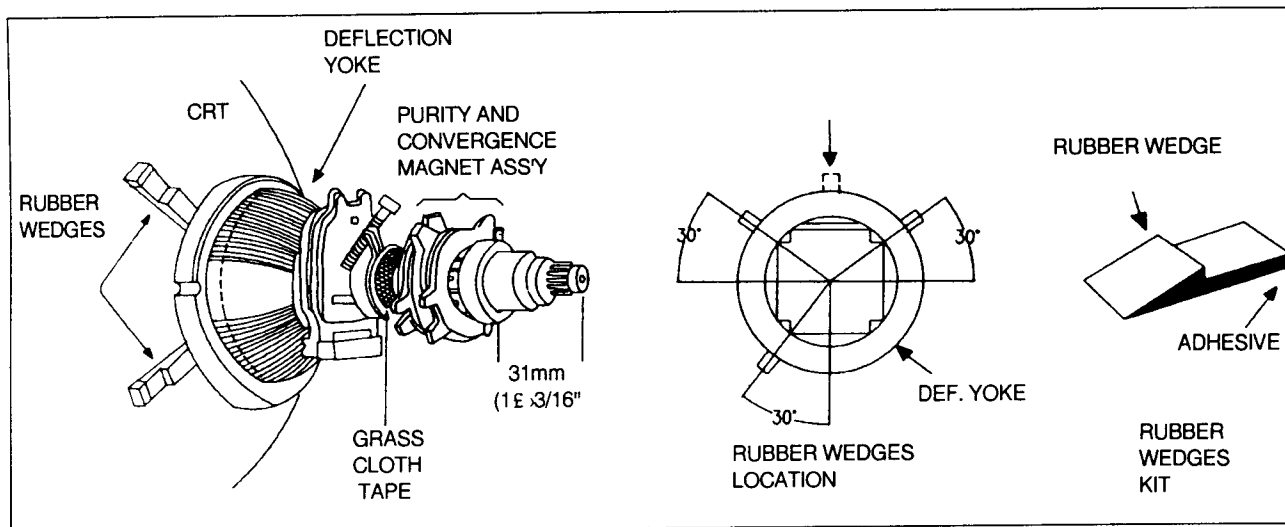


Fig 3-1 Tube Assembly

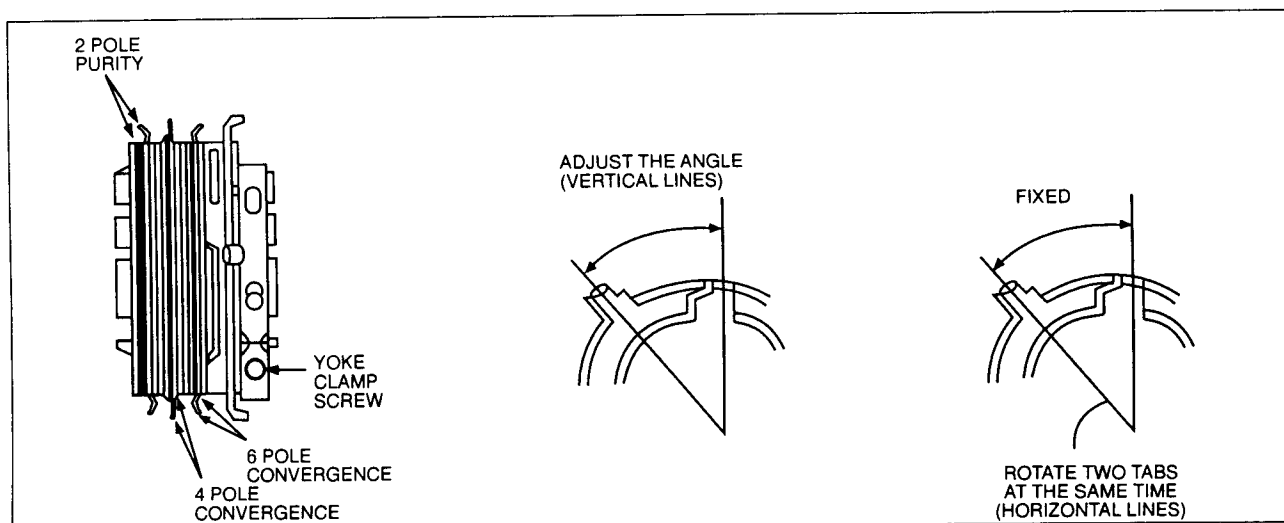


Fig 3-2 Purity and Convergence Magnets



### 3-3-8 Center Convergence Adjustment

Note: Before attempting any convergence adjustment, make sure that the receiver has been powered ON for at least twenty minutes.

1. Input a crosshatch pattern from a color bar generator.
2. Adjust the Brightness and Contrast controls for a well defined pattern.
3. Adjust the two tabs of the 5-pole magnets. Change the angle between the tabs, and superimpose red and blue vertical lines in the center area of the picture screen.
4. Next, turn both tabs at the same time. Keep the angle between the tabs constant, and superimpose the red and blue horizontal lines at the center of the screen.
5. Adjust the two tabs of the 6-pole magnets. Superimpose the red/blue lines on the green. Adjusting the angle affects the horizontal lines.
6. Repeat adjustments 3, 4 and 5. The dot movement is complex because the 4-pole and 6-pole magnets interact.

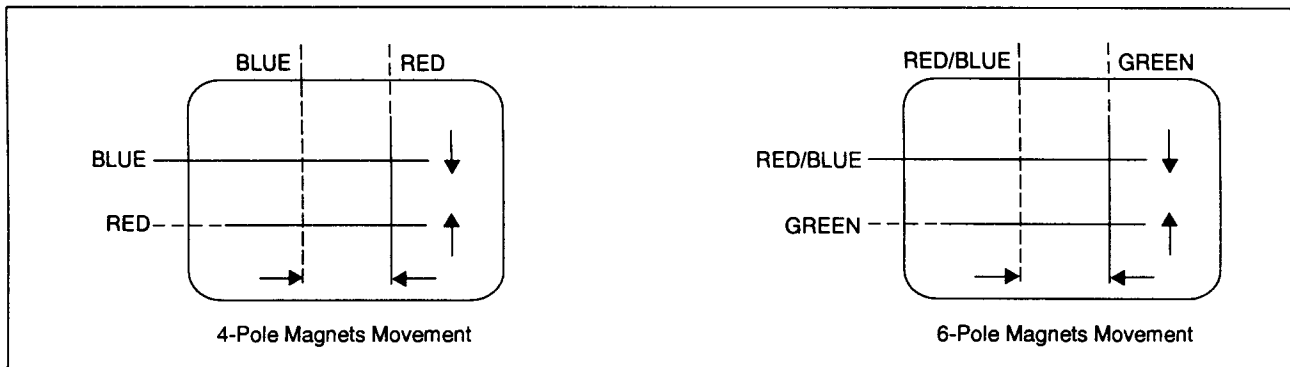


Fig 3-3 Center Convergence Adjustment

### 3-3-9 AGC Adjustment

1. Input a COLOR-BAR pattern. (CH2)
2. Set the RF input signal to 70DBuV.
3. Use Generator for PM5518 & PM5418.
4. Set AGC (in the Factory Mode) so that the DC level of IC TDA8377 Pin 53 is 3.2 ( $\pm 0.05$ )V.

### 3-3-10 AFT (VCO Adjustment)

1. Input an AGC adjustment signal.
2. Select Factory Mode VCO and press the MUTE key one time.
3. GEOMATRIX adjustments

VS	EWA
VA	EWP
VSL	EWC
HS	EWT

### 3-3-11 White Balance Adjustment

#### 3-3-11 (A) SCREEN ADJUSTMENTS

1. Input a TOSHIBA pattern.
2. Check R506 "G" pin on the CRT PCB with an oscilloscope.
3. Enter the Horizontal Line Mode.
4. Adjust the screen on the FBT so that the waveform of the 21st line and DC 2.0 ( $\pm 0.5$ )V.

#### 3-3-11 (B) HIGH-LIGHT ADJUSTMENT

1. Input a TOSHIBA pattern.
2. Set high-light to 28F/L 275/295 (X,Y) with a color analyzer.
3. Set low-light to 1.0F/L
4. Adjust RG, BG and set GG to step 32.

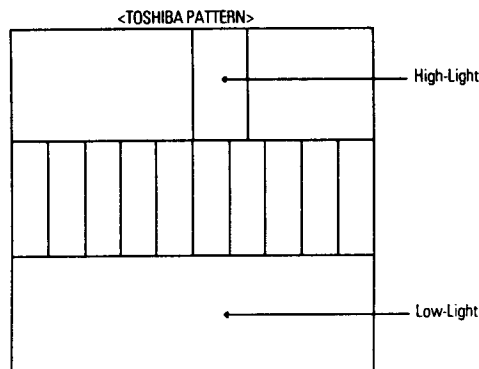
SIZE	20"	25"	27"
HIGH LIGHT	32F/L	30F/L	28F/L

#### 3-3-11 (C) SUB-CONTRAST ADJUSTMENT

1. Set SCT so that the brightness level in high-light is 28 F/L : (In case of 27V).

#### 3-3-11 (D) SUB-BRIGHTNESS ADJUSTMENT

1. Input a TOSHIBA pattern.
2. Set SBT so that the brightness level in low-light is 1.0 F/L.



#### 3-3-11 (E) SUB-COLOR ADJUSTMENT

1. Set "SCR" in the Service Mode to step 8.

#### 3-3-11 (F) SUB-TINT ADJUSTMENT

1. Set "STT" in the Service Mode to step 2.

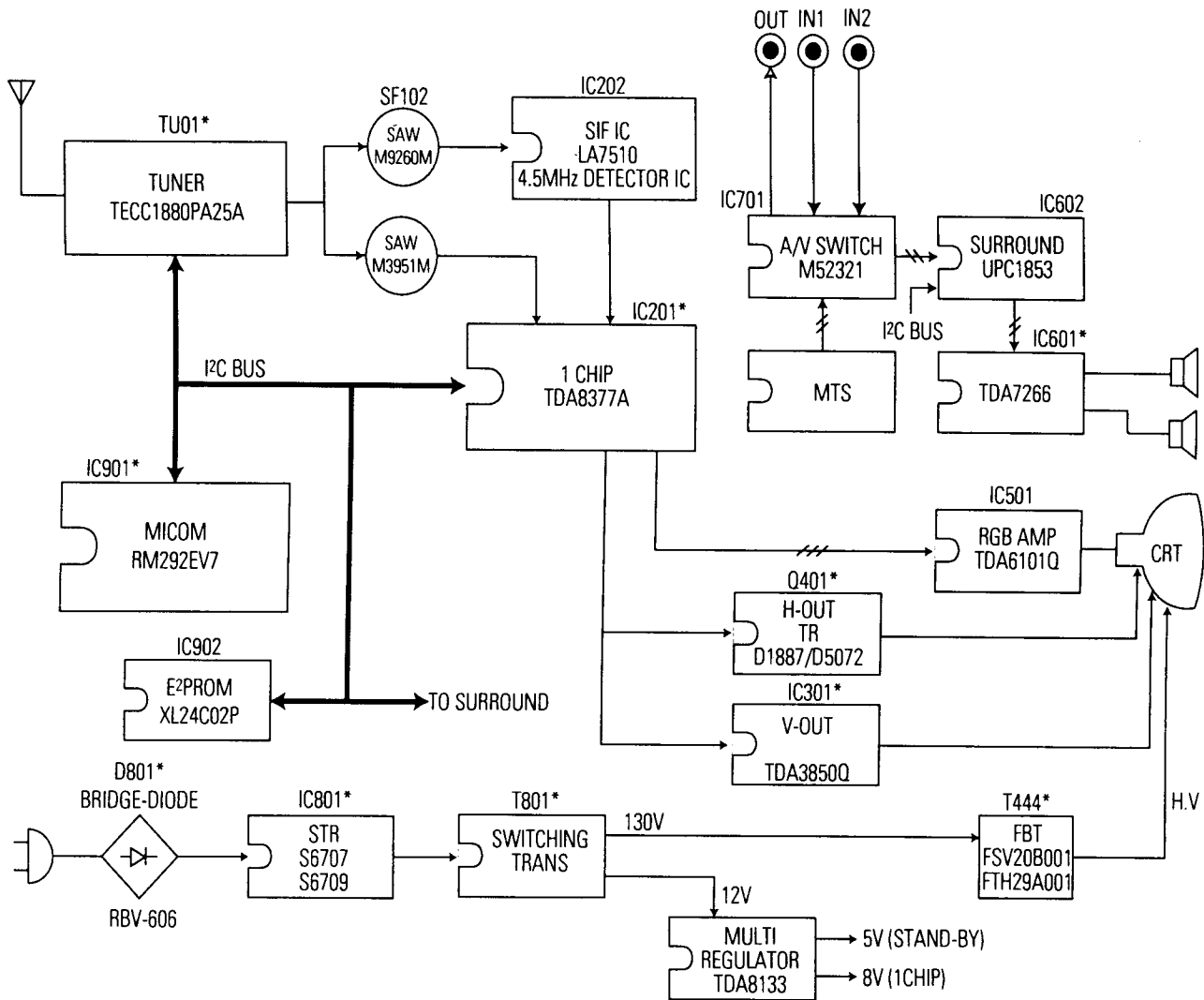
#### 3-3-11 (G) VERTICAL SIZE ADJUSTMENT

1. Input a lion head pattern.
2. Set "VS" to 32 in the Factory Mode.
3. Set "VA" so that the top margin is 4.0. Adjust "VSL" so that the bottom margin is 4.0. If the top and bottom margins are different, adjust "VA" so that their sum is 8.0.

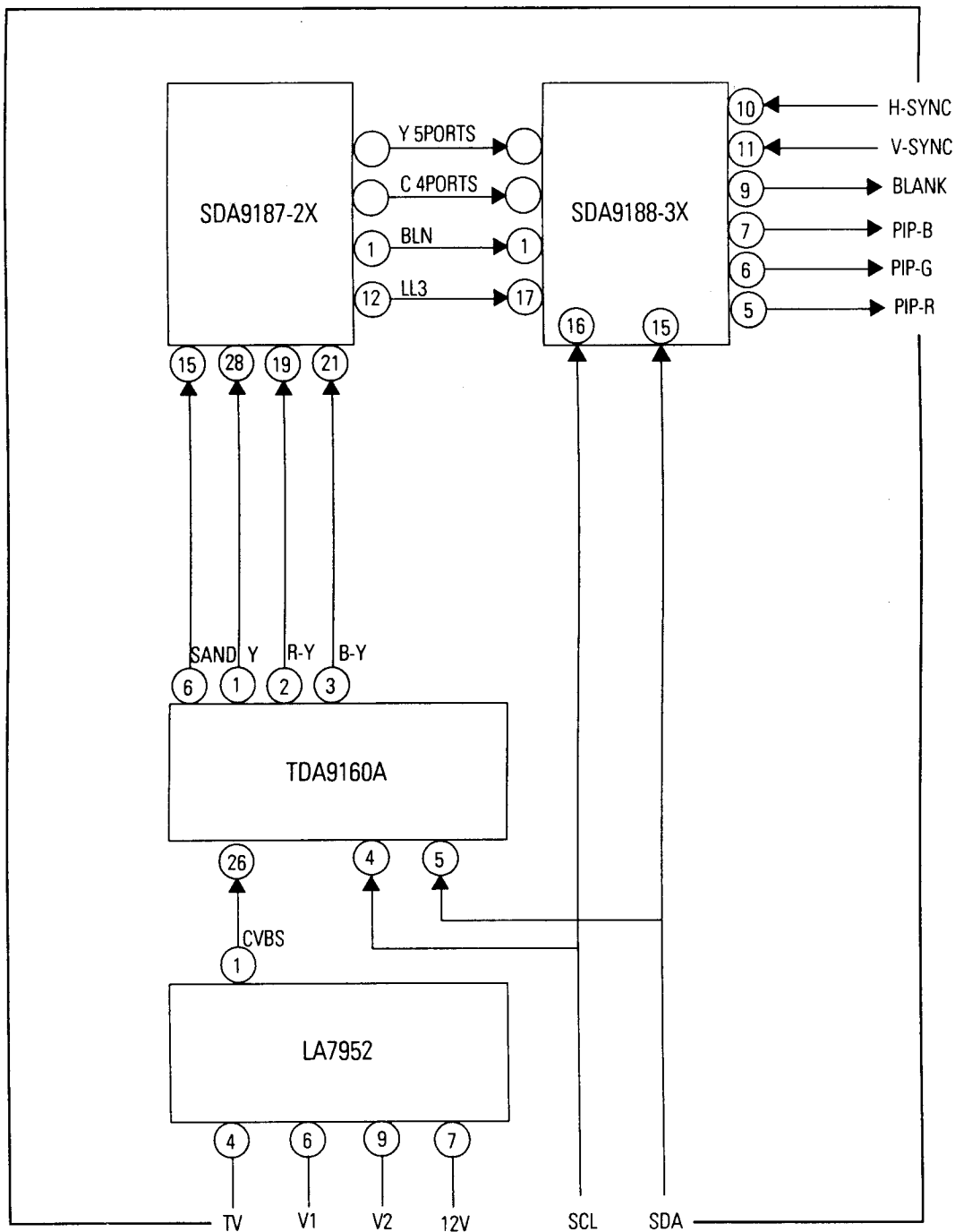
#### 3-3-11 (G) HORIZONTAL SHIFT ADJUSTMENT

1. Input a lion head pattern.
2. Adjust "HS" in the Service Mode so that the left and right margins of the lion head pattern are 5.0. ( $\pm 0.5$ )

# 7. Block Diagram

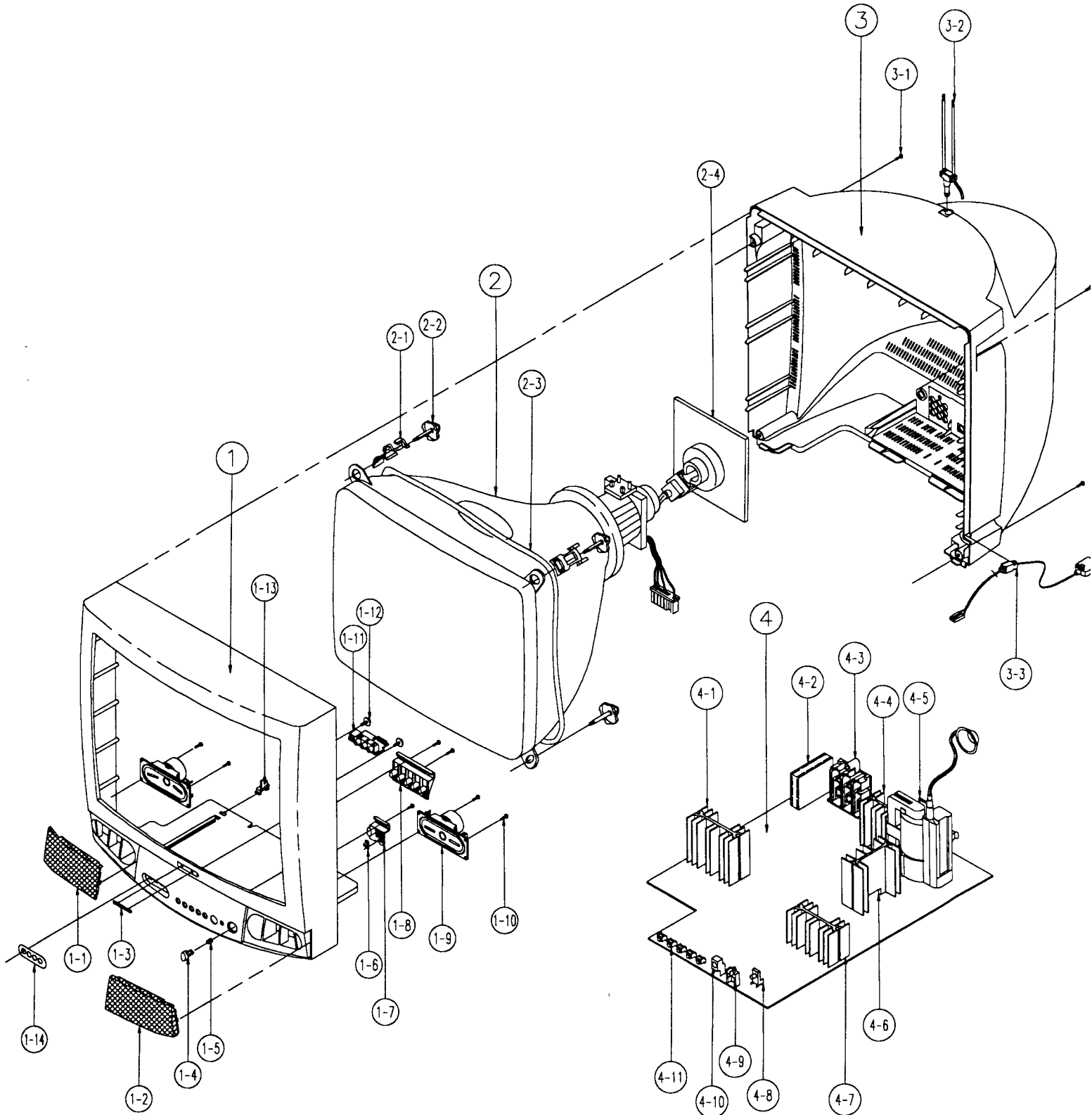


# 7-1 PIP Block Diagram

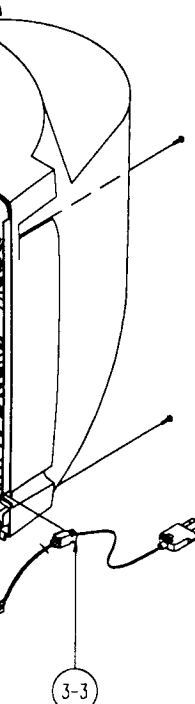


## 5. Exploded View and Parts List

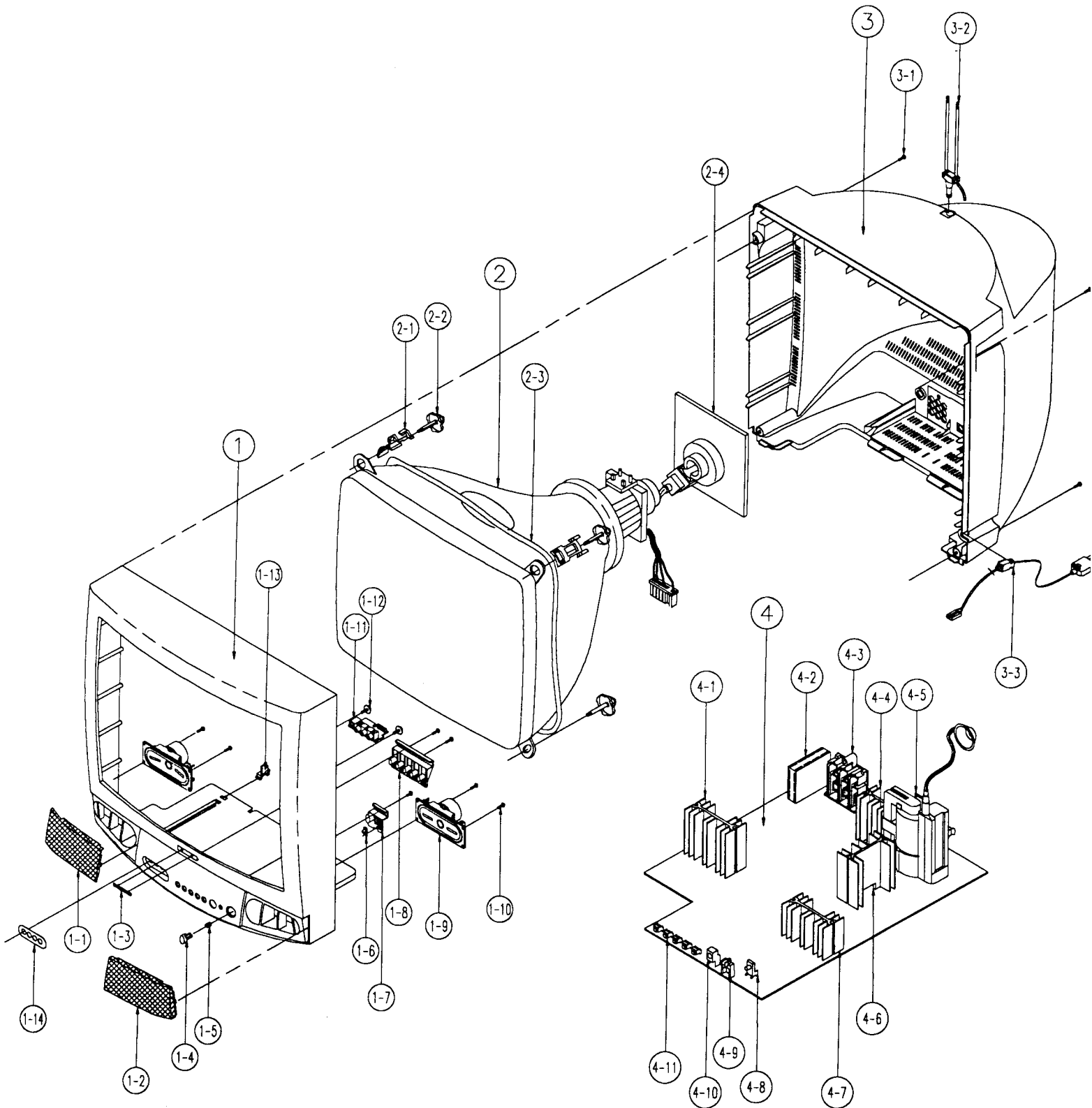
### 5-1. 20 inch Only (TXE2045, TXE2046)



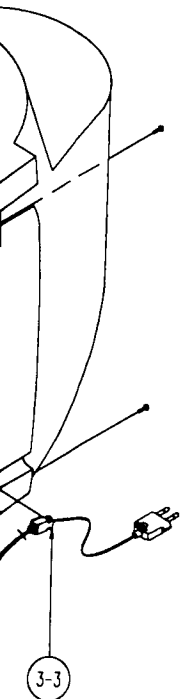
No	New Code No	Old Code No	Description	Specification	Qty	Remarks
1	*AA92-30151B		ASSY-CABINET, FRONT	TXE2045/UCX	1	TXE2045
	*AA92-30151C		ASSY-CABINET, FRONT	TXE2046/CCX	1	TXE2046
	AA64-30702A	32001-0183-000	CABINET-FRONT	HIPS, VO, BLK, PA100 ELN	1	
1-1		MOLDING TYPE	GRILLE-WOOFER, L			TXE2045
	AA63-50197B		GRILLE-WOOFER, L	SECC, T0.5, PA110, 5345	1	TXE2046
1-2		MOLDING TYPE	GRILLE-WOOFER, R			TXE2045
	AA63-50197A		GRILLE-WOOFER, R	SECC, T0.5, PA110, 5345	1	TXE2046
1-3	AA64-70015A	34533-0079-010	BADGE-BRAND	AL, L45, SILVER, R2000	1	
1-4	AA64-10365A	34083-0263-000	KNOB-POWER	ABS, HB, BLK 5345	1	
1-5	AA61-60003T	36674-140-880	SPRING-CS	SUS304, P10.5	1	
1-6	AA64-40255A	34164-0065-000	INDICATOR-LED	ACRYL, HB, 5345	1	
1-7	AA64-40254A	34073-0117-000	WINDOW-REMOCON	PC, 5345	1	
1-8	AA64-10362A	34082-0262-000	KNOB-CONTROL	ABS, HB, BLK, 5345	1	
1-9	3001-000191	A1300-0068	SPEAKER	3W, 8ohm, 90DB, 180HZ	2	
1-10	37148-540-153		SCREW-TAP, RH(SPK+CF)	2S-4X15 FE FZB	4	
1-11	*AA97-90003N		ASSY-PCB, A/V	TXE2545, 2749 KCT52A	1	
1-12	AA60-10002A	37144-001-210	SCREW-TAPPING(PA+CF)	RH, +M4, L12, ZPC(YEL)CD	2	
1-13	AA61-40053A	33383-0004-000	STOPPER-PCB	HIPS, HB, WHT, ALL MODEL	1	
1-14	A3040-0201		JACK-RCA, BLOCK	P13.6 V-F3 3P S/W	1	
2	AA03-10004N	A1320-0190	CRT-COLOR	A51KTRE83X(U), +380MG, 21"	1	
2-1			CLAMPER-D, COIL			LOCAL PARTS
2-2	37124-100-830		SCREW-CRT(CRT+CF)	RH5X35 FE FZY	4	
2-3			DEGAUSING-COIL			LOCAL PARTS
2-4	*AA97-70004B		ASSY-PCB, CRT	CT5346, KCT52A, 21"	1	
3	AA64-30704A	32001-0184-000	CABINET-BACK	HIPS, VO, BLK, 5345	1	
3-1	37148-540-153		SCREW-TAP, RH(CB+CF)	2S-4X15 FE FZB	6	
3-2			ANTENNA-ROD			DELETE ITEM
3-3	AA39-10002E	33053-817-090	POWER-CORD	DP, MSP-10W, SPT2, 2.1M, HOUS	1	
	AA61-20045A	33323-0001-010	HOLDER-CORD	PP, VO, BLK, DO	1	
4	*AA97-10030D		ASSY-PWB, MAIN	TXE2045/UCX, KCT52A	1	CKD S.N.A
	*AA97-10031W		ASSY-PWB, MAIN	TXE2046/CCX, KCT52A	1	CKD S.N.A
4-1	*3Y81-00010-010		ASSY-H/S, SOUND(1C601)	TDA7266	1	CKD S.N.A
4-2	AA40-10003B	A1292-0098	TUNER-F/S	TECC-1080PA25A, NTSC-USA	1	
4-3	A3040-0198		JACK-RCA, BLOCK	P13.6 V-9B 9P ST ALL S/W	1	
4-4	*AA96-60351A		ASSY-H/S, VERT(HO)(Q401)	KSD5072YD	1	CKD S.N.A
4-5	AA26-30002H	A1201-0046	TRANS-FLY BACK	FSV-20B001, 20", 125V	1	
4-6	*AA96-60353A		ASSY-H/S, VERT(1C301)	TDA8356, SIP, 9P	1	CKD S.N.A
4-7	*AA96-20002H		ASSY-H/S, POWER(1C801)	STR6707, SIP, 9P	1	CKD S.N.A
4-8	A3018-0072		SW-TACT, V	JTM-1113J/KPT-1122A 4.4X1	1	
4-9	*3H77-00001-070		ASSY-LED, GUIDE	32309-121-005, DL-G5RGA	1	
4-10	AA59-60002B	A1294-0063	MODULE-REMOCON	ORC-50HF, 38KHZ, 940MM	1	
4-11	3404-000244	B3018-0034	SWITCH-TACT	15V, 20MA, 90-170GF, 7.5X7MM	5	



5-2. 25 inch Only (TXE2545, TXE2546, TXE2549)

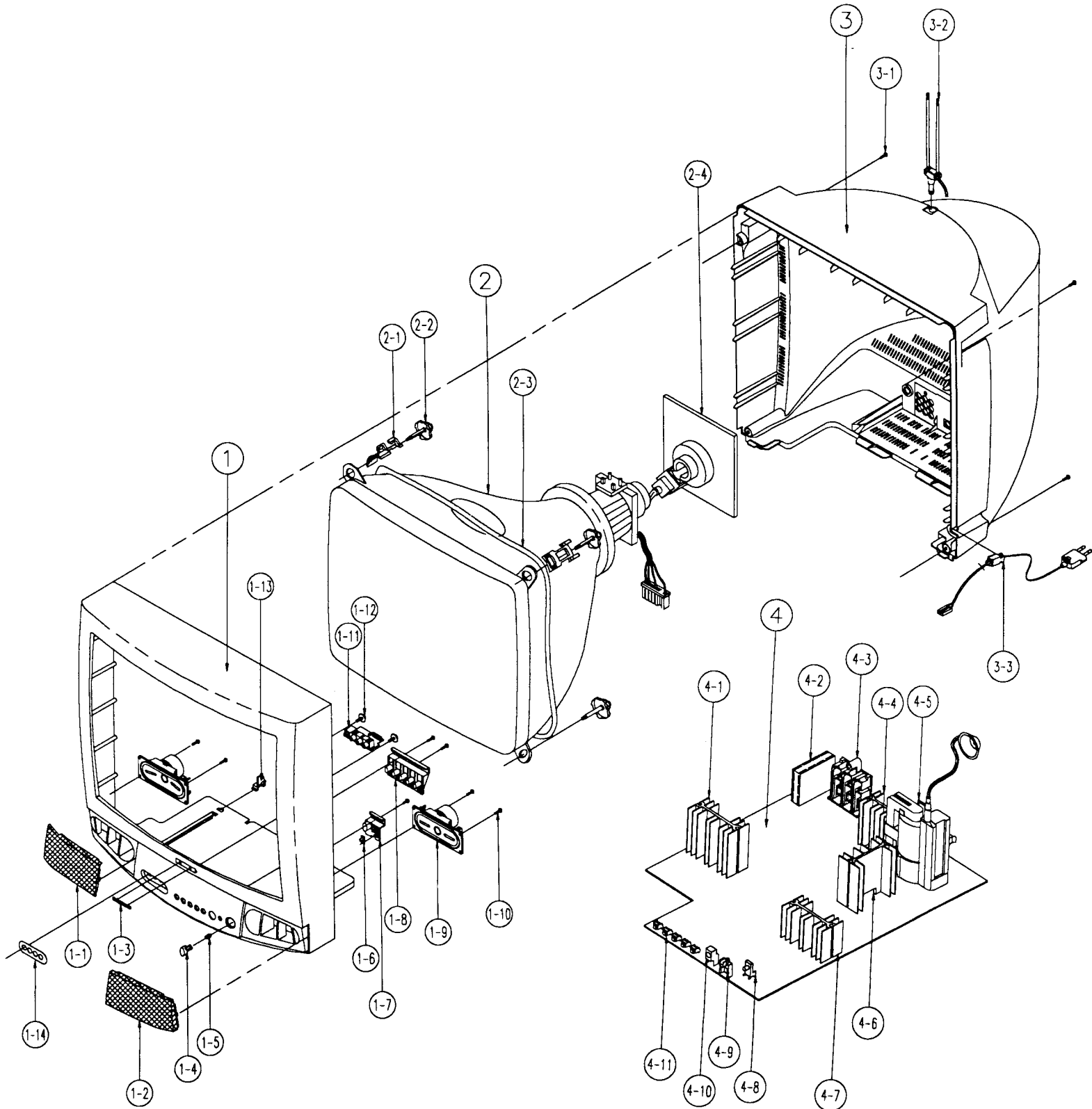


No	New Code No	Old Code No	Description	Specification	Qty	Remarks
1	*AA92-30094C		ASSY-CABINET, FRONT	TXE2545/UCX	1	TXE2545
	*AA92-30094B		ASSY-CABINET, FRONT	TXE2546/UCX	1	TXE2546
	*AA92-30094D		ASSY-CABINET, FRONT	TXE2549/UCX	1	TXE2549
	AA64-30661A	32001-0176-000	CABINET-FRONT	HIPS, VO, BLK, PA100	1	
1-1	AA63-50190B		GRILLE-WOOFER, L			TXE2545
	AA63-50190B		GRILLE-WOOFER, L	SECC, T0.5 PA110	1	TXE2546, 49
1-2	AA63-50190A		GRILLE-WOOFER, R			TXE2545
	AA63-50190A		GRILLE-WOOFER, R	SECC, T0.5, PA110	1	TXE2546, 49
1-3	AA64-70010A	34533-0074-000	BADGE-BRAND	AL, L50, SILVER, FLAT	1	
1-4	AA64-10345A	34083-0248-000	KNOB-POWER	ABS, HB, BLK, 6345	1	
1-5	AA61-60003E	36674-137-820	SPRING-CS	SUS304, P10.5	1	
1-6	AA64-40248A	34163-0063-000	INDICATOR-LED	ACRYL HB 6345	1	
1-7	AA64-40242A	34073-0110-000	WINDOW-REMOCON	PC, 6345	1	
1-8	AA64-10346A	34083-0249-000	KNOB-CONTROL	ABS, HB, BLK, 6345	1	
1-9	3001-000190	34209-200-007	SPEAKER	5W, 8ohm 89dB, 150Hz	2	
1-10	37148-540-153		SCREW-TAP, RH(SPK+CF)	2S-4X15 FE FZB	4	
1-11	*AA97-90003N		ASSY-PCB, A/V	TXE25, 2749, KCT52A	1	
1-12	AA60-10002A	37144-001-210	SCREW-TAPPING(PA+CF)	RH, +M4, L12, ZPC(YEL)	2	
1-13	AA61-40053A	33383-0004-000	STOPPER-PCB	HIPS, HB, WHT, ALL MODEL	1	
1-14	A3040-0201		JACK-RCA, BLOCK	PI3.6 V-F3 3P S/W	1	
2	AA03-10007U	B1320-0202	CRT-COLOR	A63LAV61X, +450MG, 26"	1	
2-1	AA61-20044A	33322-1027-000	HOLDER-CLAMPER	NYLON-66, VO, NTR	2	
2-2	37124-100-830		SCREW-CRT(CRT+CF)	RH5X35 FE FZY	4	
2-3	AA27-20001W	A1149-0007	COIL-DEGAUSING	25", 7.5ohm, 33T, L2800, E	1	
2-4	*AA97-70004A		ASSY-PCB, CRT	KCT52A, 25"	1	
3	AA64-30663A	32001-0177-000	CABINET-BACK	HIPS, VO, BLK, 6845	1	
3-1	37148-540-153		SCREW-TAP, RH(CB+CF)	2S-4X14 FE FZB	6	
3-2			ANTENNA-ROD			DELETE ITEM
3-3	AA39-10002E	33053-817-090	POWER-CORD	DP, MSP-10W, SP2, 2.1M, HOUS	1	
	AA61-20045A	33323-0001-010	HOLDER-CORD	PP, VO, BLK, DO	1	
4	*AA97-10031L		ASSY-PWB, MAIN	TXE2545/UCX, KCT52A	1	CKD S.N.A
	*AA97-10031M		ASSY-PWB, MAIN	TXE2546/UCX, KCT52A	1	CKD S.N.A
	*AA97-10031P		ASSY-PWB, MAIN	TXE2549/UCX, KCT52A	1	CKD S.N.A
4-1	*3Y81-00010-010		ASSY-H/S, SOUND( IC601 )	TDA7266	1	CKD S.N.A
4-2	AA40-10003B	A1292-0098	TUNER-F/S	TECC-1080PA25A, NTSC-USA	1	
4-3	A3040-0198		JACK-RCA, BLOCK	PI3.6 V-9B 9P ST ALL S/W	1	
4-4	*AA96-60350A		ASSY-H/S, VERT(HO)(Q401)	2SD1880	1	CKD S.N.A
4-5	AA26-30002K	A1201-0048	TRANS-FLY BACK	FTH-29A001, 29*130V	1	
4-6	*3Y82-20081-010		ASSY-H/S, VERT( IC301 )	TDA8350Q/N4	1	CKD S.N.A
4-7	*3Y83-20036-010		ASSY-H/S, POWER( IC801 )	STR-S6709 LF953	1	CKD S.N.A
4-8	A3018-0072		SW-TACT, V	JTM-1113J/KPT-1122A 4.4X1	1	
4-9	*3H77-00001-070		ASSY-LED, GUIDE	DL-G5RGA	1	
4-10	AA59-60001U	A1294-0035	MODULE-REMOCON	ORC-50VF, 38KHZ, 940NM, ME	1	
4-11	3404-000244	B3018-0034	SWITCH-TACT	15V, 20MA, 90-170GF, 7.5X7MM	5	

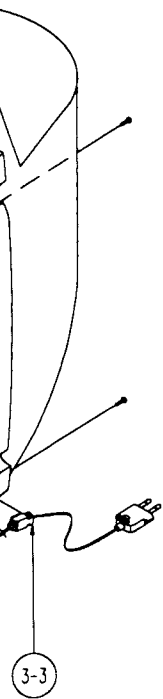




5-3. 27 inch Only (TXE2745, TXE2746, TXE2749)



No	New Code No	Old Code No.	Description	Specification	Q'ty	Remarks
1	*AA92-30095C		ASSY-CABINET,FRONT	TXE2745/UCX	1	TXE2745
	*AA92-30095B		ASSY-CABINET,FRONT	TXE2746/UCX	1	TXE2746
	*AA92-30095D		ASSY-CABINET,FRONT	TXE2749/UCX	1	TXE2749
	AA64-30658A	32000-0174-000	CABINET-FRONT	HIPS,VO,BLK,PA100	1	
1-1			GRILLE-WOOFER,L			TXE2745
	AA63-50189B		GRILLE-WOOFER,L	SECC,T0.5 PA110	1	TXE2746,49
1-2			GRILLE-WOOFER,R			TXE2745
	AA63-50189A		GRILLE-WOOFER,R	SECC,T0.5,PA110	1	TXE2746,49
1-3	AA64-70010A	34533-0074-000	BADGE-BRAND	AL,L50,SILVER,FLAT	1	
1-4	AA64-10343A	34083-0246-000	KNOB-POWER	ABS,HB,BLK,6845	1	
1-5	AA61-60003E	36674-137-820	SPRING-CS	SUS304,P10.5	1	
1-6	AA64-40247A	34163-0062-000	INDICATOR-LED	ACRYL HB 6845	1	
1-7	AA64-40241A	34073-0109-000	WINDOW-REMOCON	PC,6845	1	
1-8	AA64-10344A	34083-0247-000	KNOB-CONTROL	ABS,HB,BLK,6845	1	
1-9	3001-000190	34209-200-007	SPEAKER	5W,8ohm 89dB,150Hz	2	
1-10	37148-540-153		SCREW-TAP,RH(SPK+CF)	2S-4X15 FE FZB	4	
1-11	*AA97-90003N		ASSY-PCB,A/V	TXE25,2749,KCT52A	1	
1-12	AA60-10002A	37144-001-210	SCREW-TAPPING(PA+CF)	RH,+M4,L12,ZPC(YEL)	2	
1-13	AA61-40053A	33383-0004-000	STOPPER-PCB	HIPS,HB,WHT,ALL MODEL	1	
1-14	A3040-0201		JACK-RCA,BLOCK	PI3.6 V-F3 3P S/W	1	
2	AA03-10007V	B1320-0207	CRT-COLOR	A68KSA30X,+380MG,29*,11	1	
2-1	AA65-30017A	36635-002-010	CLAMPER-D,COIL	NYLON-66,VO,NTR	2	
2-2	37124-100-830		SCREW-CRT(CRT+CF)	RH5X35 FE FZY	4	
2-3	AA27-20001N	32479-029-440	COIL-DEGAUSING	29*,9ohm,50T,L3200,E	1	
2-4	*AA97-70001U	*3Y32-00046-010	ASSY-PCB,CRT	KCT52A,USA	1	
3	AA64-30660A	32000-0175-000	CABINET-BACK	HIPS,VO,BLK,6845	1	
3-1	37148-540-153		SCREW-TAP,RH(CB+CF)	2S-4X14 FE FZB	7	
3-2			ANTENNA-ROD			DELETE ITEM
3-3	AA39-10002E	33053-817-090	POWER-CORD	DP,MSP-10W,SP2,2.1M,HOUS	1	
	AA61-20045A	33323-0001-010	HOLDER-CORD	PP,VO,BLK,DO	1	
4	*AA97-10031N		ASSY-PWB,MAIN	TXE2745/UCX,KCT52A	1	CKD S.N.A
	*AA97-10031Q		ASSY-PWB,MAIN	TXE2746/UCX,KCT52A	1	CKD S.N.A
	*AA97-10031R		ASSY-PWB,MAIN	TXE2749/UCX,KCT52A	1	CKD S.N.A
4-1	*3Y81-00010-010		ASSY-H/S,SOUND(IC601)	TDA7266	1	CKD S.N.A
4-2	AA40-10003B	A1292-0098	TUNER-F/S	TECC-1080PA25A,NTSC-USA	1	
4-3	A3040-0198		JACK-RCA,BLOCK	PI3.6 V-9B 9P ST ALL S/W	1	
4-4	*3Y82-20080-010		ASSY-H/S,VERT(HO)(Q401)	2SD1887YD	1	CKD S.N.A
4-5	AA26-30002K	A1201-0048	TRANS-FLY BACK	FTH-29A001,29*130V	1	
4-6	*3Y82-20081-010		ASSY-H/S,VERT(IC301)	TDA8350Q/N4	1	CKD S.N.A
4-7	*3Y83-20036-010		ASSY-H/S,POWER(IC801)	STR-S6709 LF953	1	CKD S.N.A
4-8	A3018-0072		SW-TACT,V	JTM-1113J/KPT-1122A 4.4X1	1	
4-9	*3H77-00001-070		ASSY-LED,GUIDE	DL-G5RGA	1	
4-10	AA59-60001U	A1294-0035	MODULE-REMOCON	ORC-50VF,38KHZ,940NM,ME	1	
4-11	3404-000244	B3018-0034	SWITCH-TACT	15V,20MA,90-170GF,7.5X7MM	5	





Loc No.	New Code No.	Old Code No.	Description	Specification	Remarks
			ASSY-H/S,POWER		
△ IC802	*3Y83-20038-010 B4008-1162		ASSY-H/S,POWER IC-S/W REGU	31124-0032-000 TDA8133 SM TDA8133 SIP 9P	CKD S.N.A
			ASSY-H/S,TR		
△ IC853	*3Y84-70050-010 1203-000165		ASSY-H/S,TR IC-POS1.ADJUST REG.	31123-0037-020 KA78R12 SM 78R12,TO-220,3P,-,-,12V,-	CKD S.N.A
			ASSY-H/S,TR		
△ D810	*3Y84-70052-010 B4102-0087		ASSY-H/S,TR DIODE-FR	31123-0037-050 FML-G22S S FML-G22S 200V 10A 40NS	CKD S.N.A
			ASSY-H/S,VERT(HORI)		
△ Q401*	*AA96-60351A 32139-410-020		ASSY-H/S,VERT(HORI) TRANSISTOR	VERT(HORI),AA62-30002A,KS KSD5072YD	
			ASSY-H/S,POWER		
△ IC801*	*AA96-60352A AA13-20002H	B4010-0034	ASSY-H/S,POWER IC-HYBRID	POWER,AA62-30004D,STRS670 -,STRS6707,SIP,9P,SMPS CO	
			ASSY-H/S,VERT		
△ IC301*	*AA96-60353A 1204-000441	B4012-0437	ASSY-H/S,VERT IC-IF CIRCUIT	VERT,AA62-30008B,TDA8356, TDA8356,SIP,9P,-,PLASTIC,	
			ASSY-ACCESSORY		
M/TRANS	AA26-90001E	32759-115-040	TRANS-MATCHING	-,300OHM/75OHM,NTSC,40-89	
RCA/C	AA39-40001F	33394-100-163	CABLE-RCA	-,RCA,150MM,0.12/10,WHT/R	
USERS	AA68-10752A		MANUAL-USERS	WP100,-,-,ENG KCT51A SEA,	
RE/CARD	AA68-40031A	34779-0005-000	CARD-REGISTRATION	-,W/P 100(G),-,WHT,SEA,-	
W/CARD	AA68-40045A	A0120-2010	CARD-WARRANTY	-,-,L1850,WHT,SEA,SECA,W1	
W/CARD	AA68-40071A		CARD-WARRANTY	W/P100(G),-,-,-,SEA,-	
			ASSY-CRT		
△ V999	AA03-10004N	A1320-0190	CRT-COLOR	-,A51KRE83X(U),+380MG,21"	
△ D/Y	AA27-50001R	32439-310-028	DEFLECTION-YOKE	-,DSE-2192GL,21"/A51KRE83	
△ C/Y	AA27-60001M	A1155D0003	MAGNET-CONVERGENCE	DP,NY-291,29.1MM	
SP-DY	AA63-60028A	33309-0020-000	SPACER-DY	-,NEOPRENE,-,BLK,V0 W12,-	
			ASSY-PCB,CRT		
	*AA97-70004B		ASSY-PCB,CRT	-,CT5346,KCT52A,21",SEA/S	
△ C501	2303-000255	31509-332-010	C-FILM,PPF	47NF,5%,50V,-,-,	
C503	2401-000832	31607-401-690	C-AL	220UF,20%,25V,GP,8X11MM,5	
C504	2202-000162	A1100-0824	C-CERAMIC,MLC-AXIAL	15PF,5%,50V,SL,3.5X19MM,-	
C505	2202-000162	A1100-0824	C-CERAMIC,MLC-AXIAL	15PF,5%,50V,SL,3.5X19MM,-	
C506	2202-000162	A1100-0824	C-CERAMIC,MLC-AXIAL	15PF,5%,50V,SL,3.5X19MM,-	
C507	2201-000556	31417-106-090	C-CERAMIC,DISC	470PF,10%,500V,Y5P,6X3.5M	
C508	2201-000556	31417-106-090	C-CERAMIC,DISC	470PF,10%,500V,Y5P,6X3.5M	
C509	2201-000556	31417-106-090	C-CERAMIC,DISC	470PF,10%,500V,Y5P,6X3.5M	
C510	2401-001232	31607-403-480	C-AL	4.7UF,20%,250V,GP,10X12.5	
C514	2201-000379	31417-109-220	C-CERAMIC,DISC	22NF,+80-20%,50V,Y5V,8.0X	

Loc No.	New Code No.	Old Code No.	Description	Specification	Remarks
C515	31607-403-490		C-ELECTROLYTIC	CE04W TAPG 250V 10M-M	
△ C516	2306-000212	A1102-0317	C-FILM,MPPF	470NF,20%,250V,-,22.5MM,B	
△ C517	A1100-0831		C-CERAMIC	CK 45 Z4V 3KV T 103-Z HCF	
C519	2401-000832	31607-401-690	C-AL	220UF,20%,25V,GP,8X11MM,5	
D501	32167-406-480		DIODE	1N4148 TAPG	
D502	32167-406-480		DIODE	1N4148 TAPG	
D503	0402-000129	32167-201-070	DIODE-RECTIFIER	1N4003,200V,1A,DO-41	
D504	32167-406-480		DIODE	1N4148 TAPG	
EY501	AA60-40011A	33104-107-210	EYELET	-,ID2.0,OD2.8,-,-,BST	
GT501	33124-111-100		GT-PIN	1P AUTO	
GT502	33124-111-100		GT-PIN	1P AUTO	
IC501	32119-110-111		IC	TDA6101Q ZIP	
IC502	32119-110-111		IC	TDA6101Q ZIP	
IC503	32119-110-111		IC	TDA6101Q ZIP	
R501	2001-000429	31018-177-102	R-CARBON	1KOHM,5%,1/8W,AA,TP,1.8X3	
△ R502	2004-001397	A1006-0741	R-METAL(S)	4.7KOHM,1%,1/2W,AA,TP,2.4	
△ R503	31047-251-053		R-METAL,FILM	RM 1/4T 10.5K-F	
R504	2001-000522	31018-177-223	R-CARBON	22KOHM,5%,1/8W,AA,TP,1.8X	
R505	2001-000449	31018-177-222	R-CARBON	2.2KOHM,5%,1/8W,AA,TP,1.8	
R506	2001-000449	31018-177-222	R-CARBON	2.2KOHM,5%,1/8W,AA,TP,1.8	
R507	2001-000449	31018-177-222	R-CARBON	2.2KOHM,5%,1/8W,AA,TP,1.8	
△ R508	31049-276-182		R-METAL,FILM	RM 1/4T 1.8K-G	
△ R509	31049-276-182		R-METAL,FILM	RM 1/4T 1.8K-G	
△ R510	31049-276-182		R-METAL,FILM	RM 1/4T 1.8K-G	
△ R511	2004-001899	31047-356-193	R-METAL(S)	61.9KOHM,1%,1/2W,AA,TP,2.	
△ R512	2004-001899	31047-356-193	R-METAL(S)	61.9KOHM,1%,1/2W,AA,TP,2.	
△ R513	2004-001899	31047-356-193	R-METAL(S)	61.9KOHM,1%,1/2W,AA,TP,2.	
R514	2001-000490	31018-177-201	R-CARBON	200OHM,5%,1/8W,AA,TP,1.8X	
R515	2001-000490	31018-177-201	R-CARBON	200OHM,5%,1/8W,AA,TP,1.8X	
△ R517	31028-328-272		R-COMPOSITION	RC 1/2T 2.7K-K/ERC-12GK 2	
△ R518	31028-328-272		R-COMPOSITION	RC 1/2T 2.7K-K/ERC-12GK 2	
△ R519	31028-328-272		R-COMPOSITION	RC 1/2T 2.7K-K/ERC-12GK 2	
R520	2001-001090	31018-377-105	R-CARBON(S)	1MOHM,5%,1/2W,AB,TP,2.4X6	
R522	31018-377-221		R-CARBON/METAL FILM	RD 1/2T 220-J	
R523	31018-377-470		R-CARBON/METAL FILM	RD 1/2T 47-J	
△ R525	A1010-0061		R-FUSIBLE	RF 2 RT 010-J	
△ V999	3704-000109	A3047-0020	SOCKET-CRT	14P,29.1PI,22.5PI,SN	
			ASSY-PCB A/V		
	*AA97-90003N		ASSY-PCB A/V	-,TXE25,2749,KCT52A,-,-,S	
PCB	AA41-10329A	36029-0369-000	PCB-F/AV	KV2,1,FR-1,245X245X1.6T	BARE PCB
CE60	2401-000480	31607-402-250	C-AL	10UF,20%,50V,GP,5X11MM,5M	
CE61	2401-000480	31607-402-250	C-AL	10UF,20%,50V,GP,5X11MM,5M	
CN602B	AA39-20069D	36434-0009-040	LEAD-CONNECTOR,ASSY	-,YBNH025-05,67096-005,5P	
CN701B	AA39-20112D	36434-0089-030	LEAD-CONNECTOR,ASSY	-,YBNH025-09,67096-009,9P	
JB01	A3040-0201		JACK-RCA,BLOCK	PI3.6 V-F3 3P S/W	
JE60	3722-000143	33339-521-070	JACK-PHONE	1P,3.4MM,-,MBAG	
RE60	2001-001077	31018-377-151	R-CARBON(S)	150OHM,5%,1/2W,AA,TP,2.4X	
RE61	2001-001077	31018-377-151	R-CARBON(S)	150OHM,5%,1/2W,AA,TP,2.4X	
			REMOCON		
	*AA59-10073B		REMOCON	DP,TM48,-,-,AA59-10032G,-	
			ASSY-CABINET		
	*AA92-30151B		ASSY-CABINET,FRONT	TXE2045/UCX	
CRT+CF	37124-100-830		SCREW-CRT	RH5X35 FE FZY	
CB+CF	37148-540-153		SCREW-TAP,RH	2S-4X15 FE FZB	

Loc No.	New Code No.	Old Code No.	Description	Specification	Remarks
CB+RCA	37148-540-153		SCREW-TAP,RH	2S-4X15 FE FZB	
PA+CF	AA60-10002A	37144-001-210	SCREW-TAPPING	-,RH,+,M4,L12,ZPC(YEL) OD	
H/CLMP	AA61-20044A	33322-1027-000	HOLDER-CLAMPER	-,NYLON-66,V0,NTR,-,-	
BACK/C	AA64-30704A	32001-0184-000	CABINET-BACK	-,HIPS,V0,-,BLK,-,5345,6,	
C/CORD	AA65-30008A	36633-101-610	CLAMP-CORD	-,PE,HB,BLK,-,-	
KC+CF	37148-540-153		SCREW-TAP,RH	2S-4X15 FE FZB	
SPK+CF	37148-540-153		SCREW-TAP,RH	2S-4X15 FE FZB	
WR+CF	37148-540-153		SCREW-TAP,RH	2S-4X15 FE FZB	
H/CABI	AA61-20158A	36604-136-910	HOLDER-CABINET	-,HIPS,V0,BLK,-,-	
STOP	AA61-40053A	33383-0004-000	STOPPER-PCB	-,HIPS,HB,-,WHT,ALL MODEL	
S/CS	AA61-60003T	36674-140-880	SPRING-CS	-,SUS304,P10.5,-,-,-	
KNOCN	AA64-10362A	34082-0262-000	KNOB-CONTROL	-,ABS,HB,BLK,-,5345,6	
KNOPW	AA64-10365A	34083-0263-000	KNOB-POWER	-,ABS,HB,BLK,-,5345,6	
FRONT/C	AA64-30702A	32001-0183-000	CABINET-FRONT	-,HIPS,V0,-,BLK,PA100 ELN	
WIN/RE	AA64-40254A	34073-0117-000	WINDOW-REMOCON	-,PC,-,-,-,5345,6,-	
IND/LED	AA64-40255A	34164-0065-000	INDICATOR-LED	-,ACRYL,HB,-,-,5345,6,-	
INLAY	AA64-60278B	34013-0294-010	INLAY-AV	-,PS,TO.3,-,BLK,NTSC,-	
BADGE	AA64-70015A	34533-0079-010	BADGE-BRAND	-,AL,-,L45,SILVER,R2000 S	

## 6-2-2.TXE2045 and TXE2046 Disimilar Parts

Loc No.	New Code No.	Old Code No.	Description	Specification	Remarks
			ASSY-PCB.MAIN		
	*AA97-10031W		ASSY-PCB,MAIN(COM)	TXE2046/CCX,KCT52A,SECA	
C307*	2201-000556		C-CERAMIC,DISC	470PF,10%,500V,Y5P,6X3.5M	
C908	2201-000483		C-CERAMIC,DISC	33PF,5%,50V,NPO,5X3.5MM,5	
C909	2201-000257		C-CERAMIC,DISC	16PF,5%,50V,NPO,-,5MM,TP	
CA0047	34503-0100-000		STICKER-RATING	TETRONO PAPER 90(G) ALL	
CN502*	33347-110-410		POST-HEADER	67094-010(AUTO)	
L/DOC	AA68-50062V		LABEL-DOC	A/P90(S),TO.2,-,-,WHT,-,-	
L/FUSE	AA68-50063B		LABEL-FUSE	A/P120(G),TO.2,-,-,WHT,CS	
L/WARN	AA68-50062T		LABEL-WARNING	A/P90(S),TO.2,-,-,WHT,-,S	
L/WARN	AA68-50063C		LABEL-WARNING	A/P90(S),TO.2,-,-,WHT,SEC	
S/SVC	AA68-50062X		LABEL-SERVICE	A/P90(S),TO.1,-,-,WHT,-,-	
			ASSY-CABINET		
	*AA92-30151C		ASSY-CABINET,FRONT	TXE2046/CCX	
WOOF/G	AA63-50197A		GRILLE-WOOFER,R	-,SECC,-,TO.5,-,PA110,534	
WOOF/G	AA63-50197B		GRILLE-WOOFER	-,SECC,-,TO.5,-,PA110,534	
			ASSY-ACCESSORY		
RE/CARD	38124-121-980		CARD-REGISTRATION	WHT PAPER 120,SECA	
M/TRANS	AA26-90001F		TRANS-MATCHING	-,3000M/750M,NTSC,40-89	
USERS/M	AA68-10753A		MANUAL-USERS	WP100,-,-,FRE KCT52A SECA	
W/CARD	AA68-40072A		CARD-WARRANTY	-,,-,-,-,VX-T14G7	

## 6-2. 20 Inch Only

### 6-2-1.TXE2045

Loc No.	New Code No.	Old Code No.	Description	Specification	Remarks
<b>ASSY-PCB,MAIN</b>					
	•AA97-10030D		ASSY-PCB,MAIN(COM)	TXE2045/UCX,KCT52A,SEA	
PCB	36029-0590-000		P.C.B-MAIN	T1.6 W330 L245 KCT52A	BARE PCB
C-AL	2401-000611	A1104-0524	C-AL	1UF,20%,50V,WT,5X11MM,5MM	
C-ELE	31607-401-500		C-ELECTROLYTIC	CE04W TAPG 16V 470M-M(SG)	
C/DUCT	AA63-30002A	33311-0005-000	COVER-DUCT	-,ABS,HB,-,BLK,-,-,L3300	
C/FBT	AA65-30009A	36633-101-911	CLAMP-FBT	-,ABS,VO,BLK,-,-	
C/WIRE	AA65-30003A	33333-0011-000	CLAMP-WIRE	-,NYLON-66,VO,NTR,V-MODEL	
C/WIRE	AA65-30010A	36634-111-010	CLAMP-WIRE	-,NYLON-66,VO,NTR,-,-	
C/WIRE	AA65-30018A	36635-112-010	CLAMP-WIRE	-,NYLON-66,VO,NTR,DATL-60	
C101	31607-402-260		C-ELECTROLYNC	CE04W TAPG 50V 22M-M	
C102	2401-001495	31607-401-460	C-AL	47UF,20%,16V,GP,5X11MM,5M	
C103	2401-001530	31607-401-670	C-AL	47UF,20%,25V,GP,5X11MM,5M	
C104	2202-000127	A1100-0803	C-CERAMIC,MLC-AXIAL	10NF,+80-20%,25V,Y5V,-,7.	
C105	31607-402-200		C-ELECTROLYTIC	CE04W TAPG 50V 0.47M	
C106	2202-000127	A1100-0803	C-CERAMIC,MLC-AXIAL	10NF,+80-20%,25V,Y5V,-,7.	
C107	31607-402-200		C-ELECTROLYTIC	CE04W TAPG 50V 0.47M	
C108	2401-000480	31607-402-250	C-AL	10UF,20%,50V,GP,5X11MM,5M	
C109	2401-001530	31607-401-670	C-AL	47UF,20%,25V,GP,5X11MM,5M	
C110	2401-000269	31607-401-470	C-AL	100UF,20%,16V,GP,6X11MM,5	
C111	2201-000611	31407-105-280	C-CERAMIC,DISC	56PF,5%,50V,NPO,6.3X3MM,5	
C112	2306-000122	B1102-0318	C-FILM,MPPF	100NF,5%,50V,7.3X4.0X5.0M	
C201	2202-000127	A1100-0803	C-CERAMIC,MLC-AXIAL	10NF,+80-20%,25V,Y5V,-,7.	
C202	2301-000247	31507-127-009	C-FILM,PEF	33NF,5%,50V,8.1X4.5X13MM,	
C203	2306-000122	B1102-0318	C-FILM,MPPF	100NF,5%,50V,7.3X4.0X5.0M	
C204	31607-402-220		C-ELECTROLYTIC	CE04W TAPG 50V 2.2M	
C205	2301-000223	31507-137-016	C-FILM,PEF	22NF,5%,100V,7.2X4.5X9.0M	
C206	2301-000192	31507-127-000	C-FILM,PEF	1NF,5%,50V,5.3X10MM,5MM,T	
C209•	2306-000122	B1102-0318	C-FILM,MPPF	100NF,5%,50V,7.3X4.0X5.0M	
C210	2401-000269	31607-401-470	C-AL	100UF,20%,16V,GP,6X11MM,5	
C211	2306-000122	B1102-0318	C-FILM,MPPF	100NF,5%,50V,7.3X4.0X5.0M	
C212	2301-000285	31507-127-010	C-FILM,PEF	47NF,5%,50V,7.5X4.0X6.5,5	
C213	2306-000122	B1102-0318	C-FILM,MPPF	100NF,5%,50V,7.3X4.0X5.0M	
C214	2301-000380	31507-127-006	C-FILM,PEF	10NF,5%,50V,6.5X3MM,5MM,T	
△ C216	31407-105-110		C-CERAMIC,TEMP	CC45 TAPG CH 50V 120-J	
C217	2201-000389	31407-105-180	C-CERAMIC,DISC	22PF,5%,50V,NPO,5.0X3.0,2	
C218	2306-000122	B1102-0318	C-FILM,MPPF	100NF,5%,50V,7.3X4.0X5.0M	
C219•	2306-000122	B1102-0318	C-FILM,MPPF	100NF,5%,50V,7.3X4.0X5.0M	
C220•	2306-000122	B1102-0318	C-FILM,MPPF	100NF,5%,50V,7.3X4.0X5.0M	
C221•	2301-000224	31507-127-008	C-FILM,PEF	22NF,5%,50V,7.4X3.9X13MM,	
C222•	2301-000224	31507-127-008	C-FILM,PEF	22NF,5%,50V,7.4X3.9X13MM,	
C223	2201-000144	31407-105-660	C-CERAMIC,DISC	100PF,5%,50V,NPO,8.0X4.0M	
C224	2301-000264	31507-127-016	C-FILM,PEF	4.7NF,5%,50V,6.5X5.5X3.0X	
C225	2306-000122	B1102-0318	C-FILM,MPPF	100NF,5%,50V,7.3X4.0X5.0M	
C226	2401-000269	31607-401-470	C-AL	100UF,20%,16V,GP,6X11MM,5	
C227	2306-000122	B1102-0318	C-FILM,MPPF	100NF,5%,50V,7.3X4.0X5.0M	
C228	31607-402-220		C-ELECTROLYTIC	CE04W TAPG 50V 2.2M	
C229	2306-000122	B1102-0318	C-FILM,MPPF	100NF,5%,50V,7.3X4.0X5.0M	
C230	2202-000162	A1100-0824	C-CERAMIC,MLC-AXIAL	15PF,5%,50V,SL,3.5X19MM,-	
C231	2301-000201	31507-127-002	C-FILM,PEF	2.2NF,5%,50V,7.4X3.9X13MM	
C232	2301-000264	31507-127-016	C-FILM,PEF	4.7NF,5%,50V,6.5X5.5X3.0X	
C233	2401-000603	31607-402-210	C-AL	1UF,20%,50V,GP,5X11MM,5MM	
C237	2306-000122	B1102-0318	C-FILM,MPPF	100NF,5%,50V,7.3X4.0X5.0M	
C238	2306-000122	B1102-0318	C-FILM,MPPF	100NF,5%,50V,7.3X4.0X5.0M	

Loc No	New Code No	Old Code No	Description	Specification	Remarks
C239	31607-402-220		C-ELECTROLYTIC	CE04W TAPG 50V 2.2M	
C240	2301-000224	31507-127-008	C-FILM,PEF	22NF,5%,50V,7.4X3.9X13MM,	
C241	2201-000483	31407-057-330	C-CERAMIC,DISC	33PF,5%,50V,NPO,5X3.5MM,5	
C242	2401-000480	31607-402-250	C-AL	10UF,20%,50V,GP,5X11MM,5M	
C244	2401-000480	31607-402-250	C-AL	10UF,20%,50V,GP,5X11MM,5M	
C251	2401-000480	31607-402-250	C-AL	10UF,20%,50V,GP,5X11MM,5M	
C252	2401-000405	31607-803-120	C-AL	10UF,20%,16V,BP,6X11MM,5M	
C253	2401-001495	31607-401-460	C-AL	47UF,20%,16V,GP,5X11MM,5M	
C301	2202-000121	A1100-0798	C-CERAMIC,MLC-AXIAL	100PF,10%,50V,Y5P,1.9X3.5	
C302	2301-000125	31507-121-920	C-FILM,PEF	100NF,20%,100V,14.5X5.7X8	
△ C303	2305-000178	A1102-0307	C-FILM,MPEF	10NF,5%,100V,-,5MM,TP	
C304	2301-000125	31507-121-920	C-FILM,PEF	100NF,20%,100V,14.5X5.7X8	
C305	2202-000173	A1100-0338	C-CERAMIC,MLC-AXIAL	1NF,10%,50V,Y5P,1.9X3.5MM	
C306	2401-001397	A1104-0012	C-AL	470UF,20%,25V,GP,10X16MM,	
C307*	2401-001569	A1104-0512	C-AL	47UF,20%,50V,BP,10X12.5MM	
C308	2201-000108	31417-901-680	C-CERAMIC,DISC	1.5NF,10%,1KV,Y5P,-,5MM,T	
△ C401*	2301-000148	31507-137-013	C-FILM,PEF	10NF,5%,100V,7X3.2X7MM,5M	
△ C402*	A1102-0205		C-FILM	CF 922 P 1.6KV T 632-J BU	
△ C403	2201-000467	31417-767-331	C-CERAMIC,DISC	330PF,10%,2KV,Y5P,-,5MM,T	
C404	2306-000195	31516-391-000	C-FILM,MPPF	360NF,5%,400V,26.0X11.0X1	
△ C405*	31517-390-502		C-M,POLYESTER	CFS922M TAPG 250V 104-J	
C406	2201-000556	31417-106-090	C-CERAMIC,DISC	470PF,10%,500V,Y5P,6X3.5M	
△ C407	2401-001397	A1104-0012	C-AL	470UF,20%,25V,GP,10X16MM,	
C408	2201-000556	31417-106-090	C-CERAMIC,DISC	470PF,10%,500V,Y5P,6X3.5M	
△ C409	2401-001662	31607-403-070	C-AL	68UF,20%,100V,GP,10X16MM,	
△ C410*	A1104-0741		C-ELEC	CE 04 -40/105 250V T 2R2-	
C411	2201-000556	31417-106-090	C-CERAMIC,DISC	470PF,10%,500V,Y5P,6X3.5M	
△ C412	2401-000927	31607-403-500	C-AL	22UF,20%,250V,GP,13X20MM,	
C413	2401-000302	31607-401-680	C-AL	100UF,20%,25V,GP,6X11MM,5	
△ C414	2201-000639	31417-901-410	C-CERAMIC,DISC	680PF,10%,2KV,Y5P,-,5MM,T	
△ C415	A1102-0372		C-FILM	VEND: ♂ 8 2 83 CQ 922 P 63	
△ C417	2201-000599	31417-468-561	C-CERAMIC,DISC	560PF,10%,500V,Y5P,6X4MM,	
△ C418	2401-001570	31607-402-470	C-AL	47UF,20%,50V,GP,10X20MM,5	
C601*	2202-000279	A1100-0796	C-CERAMIC,MLC-AXIAL	47PF,5%,50V,SL,3.5X19MM,-	
C602*	2202-000279	A1100-0796	C-CERAMIC,MLC-AXIAL	47PF,5%,50V,SL,3.5X19MM,-	
C603	2306-000122	B1102-0318	C-FILM,MPPF	100NF,5%,50V,7.3X4.0X5.0M	
C604	2301-000198	31507-137-005	C-FILM,PEF	2.2NF,5%,100V,10.5X12.5X6	
C605*	2301-000224	31507-127-008	C-FILM,PEF	22NF,5%,50V,7.4X3.9X13MM,	
C606*	2301-000224	31507-127-008	C-FILM,PEF	22NF,5%,50V,7.4X3.9X13MM,	
C607	2301-000192	31507-127-000	C-FILM,PEF	1NF,5%,50V,5.3X10MM,5MM,T	
C608	2301-000301	31507-127-017	C-FILM,PEF	6.8NF,5%,50V,6.5X5.5X3.0X	
C609	2306-000122	B1102-0318	C-FILM,MPPF	100NF,5%,50V,7.3X4.0X5.0M	
C610	2301-000301	31507-127-017	C-FILM,PEF	6.8NF,5%,50V,6.5X5.5X3.0X	
C611	2306-000122	B1102-0318	C-FILM,MPPF	100NF,5%,50V,7.3X4.0X5.0M	
C612	2401-000587	31607-803-280	C-AL	1UF,20%,50V,BP,6X11MM,5MM	
C613	2401-000587	31607-803-280	C-AL	1UF,20%,50V,BP,6X11MM,5MM	
C614	2401-001397	A1104-0012	C-AL	470UF,20%,25V,GP,10X16MM,	
C615	2301-000320	31507-127-021	C-FILM,PEF	82NF,5%,50V,8.0X4.5X8.5MM	
C616	2201-000642	31417-104-270	C-CERAMIC,DISC	680PF,10%,50V,Y5P,4.0X4.0	
C617	2401-000480	31607-402-250	C-AL	10UF,20%,50V,GP,5X11MM,5M	
C618	2401-000480	31607-402-250	C-AL	10UF,20%,50V,GP,5X11MM,5M	
C619	2401-000947	31607-402-070	C-AL	22UF,20%,35V,GP,5X11MM,-,	
C620	2401-000947	31607-402-070	C-AL	22UF,20%,35V,GP,5X11MM,-,	
C623	2401-001026	31607-402-230	C-AL	3.3UF,20%,50V,GP,5X11MM,5	
C624	2401-001026	31607-402-230	C-AL	3.3UF,20%,50V,GP,5X11MM,5	
C625*	2301-000108	31507-127-001	C-FILM,PEF	1.5NF,5%,50V,6.5X3.0X5.5M	
C626*	2301-000108	31507-127-001	C-FILM,PEF	1.5NF,5%,50V,6.5X3.0X5.5M	
C627	2401-000706	31607-401-770	C-AL	2200UF,20%,25V,GP,16X25MM	
C632	2401-000480	31607-402-250	C-AL	10UF,20%,50V,GP,5X11MM,5M	
C633	2401-000480	31607-402-250	C-AL	10UF,20%,50V,GP,5X11MM,5M	
C634	31607-402-200		C-ELECTROLYTIC	CE04W TAPG 50V 0.47M	
C637	2301-000192	31507-127-000	C-FILM,PEF	1NF,5%,50V,5.3X10MM,5MM,T	



Loc No	New Code No	Old Code No	Description	Specification	Remarks
C701	2401-000269	31607-401-470	C-AL	100UF, 20%, 16V, GP, 6X11MM, 5	
C702	2401-000480	31607-402-250	C-AL	10UF, 20%, 50V, GP, 5X11MM, 5M	
C703	2401-000480	31607-402-250	C-AL	10UF, 20%, 50V, GP, 5X11MM, 5M	
C704	2401-000480	31607-402-250	C-AL	10UF, 20%, 50V, GP, 5X11MM, 5M	
C707	2401-000480	31607-402-250	C-AL	10UF, 20%, 50V, GP, 5X11MM, 5M	
C708	2401-000480	31607-402-250	C-AL	10UF, 20%, 50V, GP, 5X11MM, 5M	
C709	2401-000480	31607-402-250	C-AL	10UF, 20%, 50V, GP, 5X11MM, 5M	
C710	2401-000480	31607-402-250	C-AL	10UF, 20%, 50V, GP, 5X11MM, 5M	
C711	2306-000122	B1102-0318	C-FILM, MPPF	100NF, 5%, 50V, 7.3X4.0X5.0M	
C712*	31607-401-500		C-ELECTROLYTIC	CE04W TAPG 16V 470M-M(SG)	
△ C801*	31609-979-003		C-ELECTROLYTIC	CE04W 250V 680M-M(25X50)	
△ C802	31467-102-010		C-CERAMIC, AC	CK45P TAPG E250V 222-M(T2	
△ C803	31467-102-010		C-CERAMIC, AC	CK45P TAPG E250V 222-M(T2	
△ C804*	31469-504-060		C-CERAMIC, AC	ECK-DNS472MEX/E400V 472(T	
△ C805	31417-901-400		C-CERAMIC, HIC	CK45(T) B2KV 561-K	
△ C806	31609-403-360		C-ELECTROLYTIC	CE04W 200V 220U-HA(22X35)	
△ C807	2201-000599	31417-468-561	C-CERAMIC, DISC	560PF, 10%, 500V, Y5P, 6X4MM,	
△ C808	A1104-0740		C-ELEC	CE 04 -55/105 25V T 471-M	
C809	2401-000287	A1104-0368	C-AL	100UF, 20%, 16V, WT, 6X11MM, 5	
△ C810	2401-000611	A1104-0524	C-AL	1UF, 20%, 50V, WT, 5X11MM, 5MM	
C811	2401-000269	31607-401-470	C-AL	100UF, 20%, 16V, GP, 6X11MM, 5	
C812	2401-000287	A1104-0368	C-AL	100UF, 20%, 16V, WT, 6X11MM, 5	
△ C813	2401-001513	A1104-0461	C-AL	47UF, 20%, 16V, WT, 5X11MM, 5M	
△ C814	2305-000283	31569-201-230	C-FILM, MPEF	220NF, 20%, 250V, 32X12.0X18	
C815	31607-403-990		C-ELECTROLYTIC	CE04W TAPG 200V 100M-M(16	
△ C816	2401-000166	A1104-0534	C-AL	1000UF, 20%, 25V, WT, 13X20MM	
△ C817	2303-000159	31509-391-090	C-FILM, PPF	2.2NF, 5%, 1.6KV, 28X13.5X8,	
C818	2401-000493	A1104-0577	C-AL	10UF, 20%, 50V, WT, 5X11MM, 5M	
△ C819	2201-000599	31417-468-561	C-CERAMIC, DISC	560PF, 10%, 500V, Y5P, 6X4MM,	
△ C820	2401-000166	A1104-0534	C-AL	1000UF, 20%, 25V, WT, 13X20MM	
△ C821	2301-000192	31507-127-000	C-FILM, PEF	1NF, 5%, 50V, 5.3X10MM, 5MM, T	
△ C850	2401-000808	31607-401-480	C-AL	220UF, 20%, 16V, GP, 8X11MM, 5	
△ C851	A1104-0770		C-ELEC	CE 04 -40/+105 35V T 471-	
C852*	31607-402-110		C-ELECTROLYTIC	CE04W TAPG 35V 220M-M	
C853	2401-000395	31607-403-210	C-AL	10UF, 20%, 160V, GP, 10X12.5M	
△ C854	2305-000407	A1102-0324	C-FILM, MPEF	470NF, 5%, 100V, -, 5MM, TP	
△ C855*	2201-000599	31417-468-561	C-CERAMIC, DISC	560PF, 10%, 500V, Y5P, 6X4MM,	
△ C856*	2401-000901	31607-403-220	C-AL	22UF, 20%, 160V, GP, 10X20MM,	
C861	2401-000240	31607-401-840	C-AL	100UF, 20%, 10V, GP, 6X11MM, 5	
C862	2401-000480	31607-402-250	C-AL	10UF, 20%, 50V, GP, 5X11MM, 5M	
C901	2401-001495	31607-401-460	C-AL	47UF, 20%, 16V, GP, 5X11MM, 5M	
C902	2202-000173	A1100-0338	C-CERAMIC, MLC-AXIAL	1NF, 10%, 50V, Y5P, 1.9X3.5MM	
C903	2401-001495	31607-401-460	C-AL	47UF, 20%, 16V, GP, 5X11MM, 5M	
C904	2202-000173	A1100-0338	C-CERAMIC, MLC-AXIAL	1NF, 10%, 50V, Y5P, 1.9X3.5MM	
C905	31607-402-200		C-ELECTROLYTIC	CE04W TAPG 50V 0.47M	
C906*	2201-000611	31407-105-280	C-CERAMIC, DISC	56PF, 5%, 50V, NPO, 6.3X3MM, 5	
C907*	2401-001495	31607-401-460	C-AL	47UF, 20%, 16V, GP, 5X11MM, 5M	
C908	2201-000600	31417-104-560	C-CERAMIC, DISC	560PF, 10%, 50V, Y5P, 4X3.5MM	
C909	2201-000651	31407-105-300	C-CERAMIC, DISC	68PF, 5%, 50V, NPO, 8X3, 5, TP	
C911	2401-000808	31607-401-480	C-AL	220UF, 20%, 16V, GP, 8X11MM, 5	
C912	2301-000380	31507-127-006	C-FILM, PEF	10NF, 5%, 50V, 6.5X3MM, 5MM, T	
C913	2202-000127	A1100-0803	C-CERAMIC, MLC-AXIAL	10NF, +80-20%, 25V, Y5V, -, 7.	
C914	2202-000173	A1100-0338	C-CERAMIC, MLC-AXIAL	1NF, 10%, 50V, Y5P, 1.9X3.5MM	
△ CB01*	2305-000283	31569-201-230	C-FILM, MPEF	220NF, 20%, 250V, 32X12.0X18	
△ CFN01*	AA29-10001B	37169-0002-000	FILTER-CCMB	-, CFM102, NTSC, -	
CN502*	AA39-20054A	33058-332-016	LEAD-CONNECTOR, ASSY	-, YBNH025-06, S, 6P, 400, 100	
CN601	33347-114-810		POST-HEADER	YW025-04(AUTO)	
CN602*	33347-108-180		POST-HEADER	67094-005 (AUTO)	
CN701*	33347-110-110		POST-HEADER	67094-009 (AUTO)	
CN905*	33347-108-180		POST-HEADER	67094-005 (AUTO)	
CNN01*	AA59-40001U	A1294-0057	MODULE-MTS	-, MZ-200, ZENITH, USA, 54X44	
CNV02	AA39-20053A	33058-322-016	LEAD-CONNECTOR, ASSY	-, YBNH025-05, S, 5P, 400, 100	

Loc No.	New Code No.	Old Code No.	Description	Specification	Remarks
CP01*	2202-000109	A1100-0340	C-CERAMIC,MLC-AXIAL	100NF,+80-20%,50V,Y5P,1.9	
CP02*	2202-000109	A1100-0340	C-CERAMIC,MLC-AXIAL	100NF,+80-20%,50V,Y5P,1.9	
CP03*	2202-000109	A1100-0340	C-CERAMIC,MLC-AXIAL	100NF,+80-20%,50V,Y5P,1.9	
CJ02*	2202-000109	A1100-0340	C-CERAMIC,MLC-AXIAL	100NF,+80-20%,50V,Y5P,1.9	
CJ04	2401-000480	31607-402-250	C-AL	10UF,20%,50V,GP,5X11MM,5M	
CJ05	2401-000480	31607-402-250	C-AL	10UF,20%,50V,GP,5X11MM,5M	
CJ06	2401-000440	31607-401-430	C-AL	10UF,20%,25V,GP,5X11MM,5M	
CX01*	2401-000480	31607-402-250	C-AL	10UF,20%,50V,GP,5X11MM,5M	
D201	32167-406-480		DIODE	1N4148 TAPG	
D202	0402-000129	32167-201-070	DIODE-RECTIFIER	1N4003,200V,1A,DO-41	
D203	32167-406-480		DIODE	1N4148 TAPG	
D204	32167-406-480		DIODE	1N4148 TAPG	
D205	32167-406-480		DIODE	1N4148 TAPG	
D206	32167-406-480		DIODE	1N4148 TAPG	
D207	32167-406-480		DIODE	1N4148 TAPG	
D208	32167-406-480		DIODE	1N4148 TAPG	
D401	0402-000493	32167-207-120	DIODE-RECTIFIER	1R5GU41,400V,1.5A,DO-15L	
D402	0402-000129	32167-201-070	DIODE-RECTIFIER	1N4003,200V,1A,DO-41	
D403	0402-000129	32167-201-070	DIODE-RECTIFIER	1N4003,200V,1A,DO-41	
△ D404	0402-000540	B4102-0068	DIODE-RECTIFIER	RU20A,600V,1.5A,-	
△ D405	0402-000546	32167-201-170	DIODE-RECTIFIER	TVR10G,400V,1.0A,DO-41	
D601	32167-406-480		DIODE	1N4148 TAPG	
D701	32167-406-480		DIODE	1N4148 TAPG	
D702	32167-406-480		DIODE	1N4148 TAPG	
△ D801*	B4104-0112		DIODE-RECT	RBV606LFB 600V 6A ST BRID	
△ D802	32167-406-480		DIODE	1N4148 TAPG	
△ D803	0402-000233	32169-101-090	DIODE-RECTIFIER	FML-G12S,200V,5A,-	
D804	0402-000213	32167-208-580	DIODE-RECTIFIER	ERB12-06,600V,1.0A,DO-41	
△ D805	0402-000546	32167-201-170	DIODE-RECTIFIER	TVR10G,400V,1.0A,DO-41	
△ D806	0402-000546	32167-201-170	DIODE-RECTIFIER	TVR10G,400V,1.0A,DO-41	
D807*	0402-000493	32167-207-120	DIODE-RECTIFIER	1R5GU41,400V,1.5A,DO-15L	
△ D808	0402-000546	32167-201-170	DIODE-RECTIFIER	TVR10G,400V,1.0A,DO-41	
△ D811*	0402-000540	B4102-0068	DIODE-RECTIFIER	RU20A,600V,1.5A,-	
D903	32167-406-480		DIODE	1N4148 TAPG	
D908	32167-406-480		DIODE	1N4148 TAPG	
D910	32167-406-480		DIODE	1N4148 TAPG	
D951	0402-000129	32167-201-070	DIODE-RECTIFIER	1N4003,200V,1A,DO-41	
D962	32167-406-480		DIODE	1N4148 TAPG	
DJ01*	32167-406-480		DIODE	1N4148 TAPG	
DJ02*	32167-406-480		DIODE	1N4148 TAPG	
DJ03*	32167-406-480		DIODE	1N4148 TAPG	
DJ04*	32167-406-480		DIODE	1N4148 TAPG	
DX01*	0402-000546	32167-201-170	DIODE-RECTIFIER	TVR10G,400V,1.0A,DO-41	
DZ101	0403-000700	A4106-0227	DIODE-ZENER	TZP33A,33V,31-35V,1W,DO-4	
DZ301	0403-000690	32167-406-140	DIODE-ZENER	MTZ10,10V,9.4-10.6V,500MW	
DZ302	0403-000690	32167-406-140	DIODE-ZENER	MTZ10,10V,9.4-10.6V,500MW	
DZ303	0403-000658	32167-406-190	DIODE-ZENER	MTZ18A,18V,16.22-17.06V,5	
DZ401	0403-000705	A4106-0205	DIODE-ZENER	TZP8.2B,8.2V,8.2-9.3V,1W,	
DZ801	1405-000188	32167-401-041	VARIATOR	430V,1250A,14X7.5MM,TP	
DZ802	1405-000188	32167-401-041	VARIATOR	430V,1250A,14X7.5MM,TP	
DZ803	0403-000697	A4106-0237	DIODE-ZENER	TZP10A,10V,9.4-10.6V,1W,D	
DZ804	32167-406-080		DIODE-ZENER	MTZ 5.1B	
DZ805	0403-000563	32167-406-130	DIODE-ZENER	MTZ9.1B,9.1V,8.57-9.01V,5	
DZ806	0403-000656	32167-403-780	DIODE-ZENER	MTZ15C,15V,14.35-15.09V,5	
DZ901	32167-406-080		DIODE-ZENER	MTZ 5.1B	
DZ902	32167-401-800		DIODE-ZENER	EQA02-06A/MTZ5.6B(TAPG)	
DZ903	32167-408-080		DIODE-ZENER	EQA02-06D/MTZ6.2B(TAPG)	
DZ904	32167-408-080		DIODE-ZENER	EQA02-06D/MTZ6.2B(TAPG)	
DZ905	32167-408-080		DIODE-ZENER	EQA02-06D/MTZ6.2B(TAPG)	
DZ906	32167-408-080		DIODE-ZENER	EQA02-06D/MTZ6.2B(TAPG)	
DZ907	32167-408-080		DIODE-ZENER	EQA02-06D/MTZ6.2B(TAPG)	
DZ908	32167-408-080		DIODE-ZENER	EQA02-06D/MTZ6.2B(TAPG)	

Loc No.	New Code No.	Old Code No.	Description	Specification	Remarks
DZX01*	0403-000667	A4106-0128	DIODE-ZENER	MTZ6.8A, 6.8V, 6.29-6.63V, 5	
EYE-PIN	AA60-40011A	33104-107-210	EYELET	-, ID2.0, OD2.8, -, -, BST	EL301-EY859
F801*	3601-000144	34709-087-170	FUSE-FERRULE	125V, 4A, SLOW BLOW, GLASS, 5	
F801A	3602-000114	33167-001-001	FUSE-HOLDER	-, -, 30MCHM	
F801B	3602-000114	33167-001-001	FUSE-HOLDER	-, -, 30MCHM	
GT102	33124-111-100		GT-PIN	1P AUTO	GT102-GT806
GT102	AA39-20010B	33054-834-014	LEAD-CONNECTOR, ASSY	-, YFH800-01, S, 1P, 500, 1617	
△ HC101*	AA13-20002V	A4010-0087	IC-HYBRID	-, PAP101T, SIP, 6P, PRE AMP	
△ HC801	AA13-20003B	A4010-0094	IC-HYBRID	-, FL001T, SIP, 5P, SMPS CONT	
△ HC802*	AA13-20003A	A4010-0093	IC-HYBRID	-, PCL001T, SIP, 5P, SMPS CON	
IC101	1203-000243	A4008-0178	IC-POSITIVE FIXED REG.	7812, TO-220, 3P, -, PLASTIC,	
IC201*	1204-000427	B4012-0609	IC-HOR. / VER. PROCESSOR	TDA8377A, DIP, 56P, -, PLASTIC	
△ IC202	B4012-0360		IC-LINEAR	LA7510 SIP 9P	
△ IC602	B4012-0286		IC-LINEAR	UPC1853CT DIP TV-VIDEO (VR)	
△ IC701	32119-101-730		IC	M51321P	
△ IC851	0604-000117	32309-024-040	PHOTO-COUPLER	TR, 130-260%, 200MW, DIP-4, S	
△ IC852*	AA13-20002L	B4010-0067	IC-HYBRID	-, SE125N, SIP, 3P, ERROR AMP	
△ IC902	B4000-0049		IC-EEPROM	XLS24C02P DIP	
JA701*	A3040-0198		JACK-RCA, BLOCK	PI3.6 V-9B 9P ST ALL S/W	
L	3301-000287	34047-019-060	CORE-FERRITE BEAD	AA, 3.5X1.0X6.0MM, 1500, 240	
L/IND	AA68-50064E	38114-700-210	LABEL-INDICATOR	A/P120(S), TO. 2, -, -, WHT, UL	
L/SET	AA68-50063E	38114-682-010	LABEL-SET	A/P120, -, -, -, A51KRE83X,	
△ L102	2701-000197	32427-904-922	INDUCTOR-AXIAL	5.6UH, 10%, 2.5X3.4MM	
L103	2701-000114	32427-904-924	INDUCTOR-AXIAL	10UH, 10%, 2.5X3.4MM	
L104	2701-000114	32427-904-924	INDUCTOR-AXIAL	10UH, 10%, 2.5X3.4MM	
L201	2701-000114	32427-904-924	INDUCTOR-AXIAL	10UH, 10%, 2.5X3.4MM	
L203	2701-000114	32427-904-924	INDUCTOR-AXIAL	10UH, 10%, 2.5X3.4MM	
L204	2701-000114	32427-904-924	INDUCTOR-AXIAL	10UH, 10%, 2.5X3.4MM	
L205	2701-000114	32427-904-924	INDUCTOR-AXIAL	10UH, 10%, 2.5X3.4MM	
L206	2701-000114	32427-904-924	INDUCTOR-AXIAL	10UH, 10%, 2.5X3.4MM	
L301	2701-000116	32427-805-882	INDUCTOR-AXIAL	10UH, 10%, 4.2X9.8MM	
△ L302*	AA27-10001E	32427-226-080	COIL-CHOKE	-, 1.0UH, K, 25, 2100A, T, SP04	
△ L303*	AA27-10001E	32427-226-080	COIL-CHOKE	-, 1.0UH, K, 25, 2100A, T, SP04	
△ L401*	AA27-30001B	32446-705-050	COIL-LINEARITY	-, 195UH, QIC1010, P10.4, 4.5	
△ L403*	AA27-10002E	32429-833-020	COIL-CHOKE	-, 6.8MH, K, 50, 120MA, -, 6.8M	
L601*	2701-000158	32427-805-878	INDUCTOR-AXIAL	22UH, 10%, 2.5X3.4MM	
L602	2701-000116	32427-805-882	INDUCTOR-AXIAL	10UH, 10%, 4.2X9.8MM	
L801*	AA29-30001R	32429-633-160	FILTER-LINE	-, 6MH, 2.0A, -, SQ1913	
L802	AA29-30001N	32429-633-121	FILTER-LINE	-, 6MH, 2.2A, -, -	
△ L804	A1247-0058		FILTER-EMI BEAD	BFS3550R2FD8G SB 70CHM/10	
L807	3301-000287	34047-019-060	CORE-FERRITE BEAD	AA, 3.5X1.0X6.0MM, 1500, 240	
△ L808	A1247-0058		FILTER-EMI BEAD	BFS3550R2FD8G SB 70CHM/10	
△ L809	AA27-10002Y	B1133-0009	COIL-CHOKE	-, 100UH, K, 10, 700MA, T, 100U	
△ L810	AA27-10002Y	B1133-0009	COIL-CHOKE	-, 100UH, K, 10, 700MA, T, 100U	
L811	B1247-0051		FILTER-EMI BEAD	BL02RN2-R62T4 DB 1.1UH/1M	
△ L812	A1247-0058		FILTER-EMI BEAD	BFS3550R2FD8G SB 70CHM/10	
L862	3301-000287	34047-019-060	CORE-FERRITE BEAD	AA, 3.5X1.0X6.0MM, 1500, 240	
△ L863	3301-000287	34047-019-060	CORE-FERRITE BEAD	AA, 3.5X1.0X6.0MM, 1500, 240	
△ L864	3301-000287	34047-019-060	CORE-FERRITE BEAD	AA, 3.5X1.0X6.0MM, 1500, 240	
△ L865	3301-000287	34047-019-060	CORE-FERRITE BEAD	AA, 3.5X1.0X6.0MM, 1500, 240	
L901	2701-000114	32427-904-924	INDUCTOR-AXIAL	10UH, 10%, 2.5X3.4MM	
L902	2701-000114	32427-904-924	INDUCTOR-AXIAL	10UH, 10%, 2.5X3.4MM	
△ LA01*	AA27-10002X	B1133-0007	COIL-CHOKE	-, 43UH, K, 10, 1A, T, 43UH-K (S	
LK803*	AA29-30001J	32429-633-100	FILTER-LINE	-, 0.5MH, -, -, -	
△ NT801	1404-000181	32189-609-381	THERMISTOR-NTC	4.7OHM, 20%, 2900K, -, BK	
△ P801*	B1332-0018		POSISTOR	PTH631D02BF7ROM140T DEGAU	
PC801	AA39-10002E	33053-817D090	POWER-CORD	DP, MSP-10W, SPT2, 2.1M, HOUS	
PC801	AA61-20045A	33323-0001-010	HOLDER-CORD	-, PP, V0, BLK, DO, -	
Q201	32137-301-720		TRANSISTOR	KSC 815-Y(TAPG)/YTAM	
Q203	32137-301-720		TRANSISTOR	KSC 815-Y(TAPG)/YTAM	
Q204	32137-401-530		TRANSISTOR	KSA 539-Y(TAPG)/YTAM	
Q251	32137-301-720		TRANSISTOR	KSC 815-Y(TAPG)/YTAM	

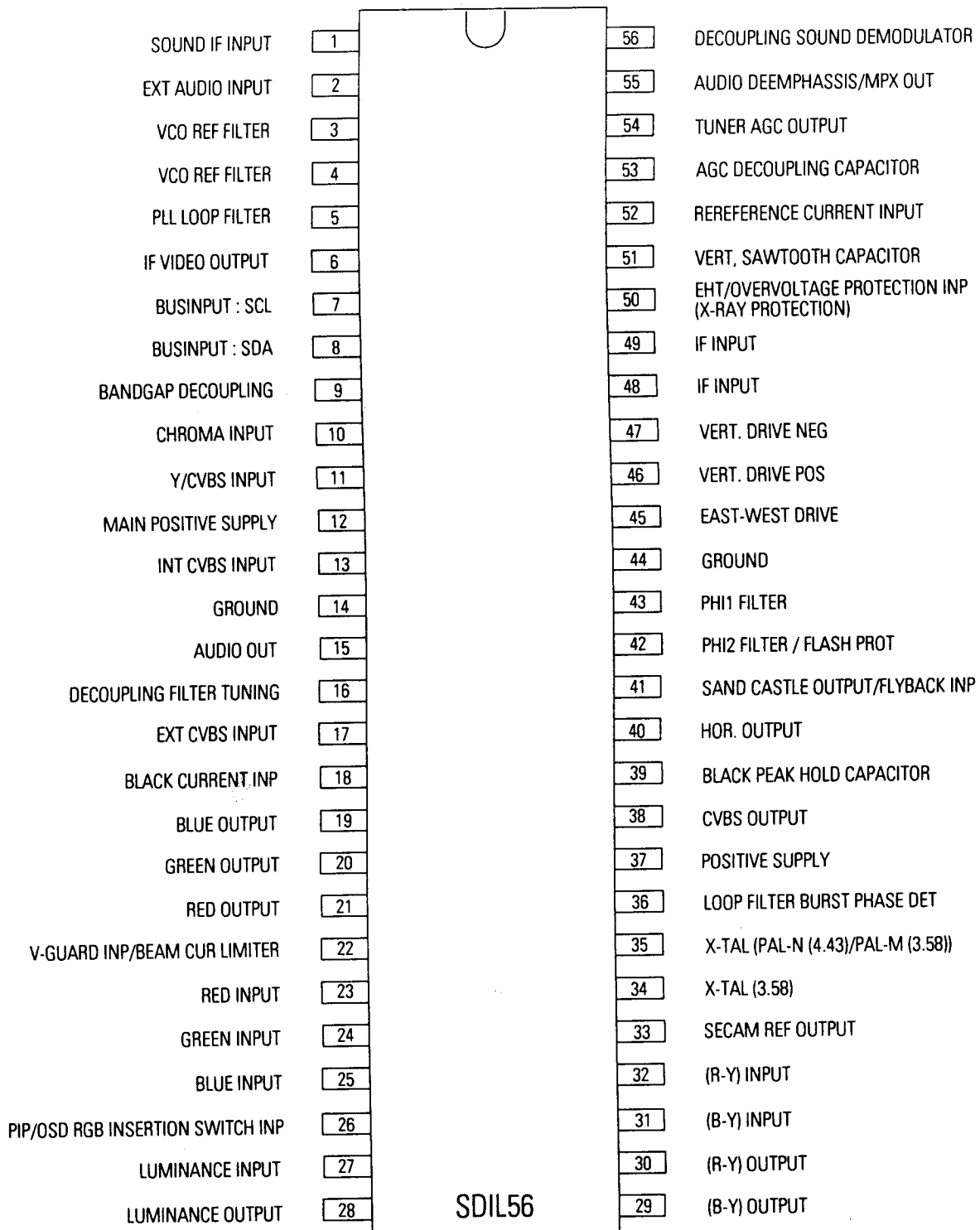
Loc No.	New Code No.	Old Code No.	Description	Specification	Remarks
△ Q402*	32137-301-560		TRANSISTOR	KSC 2331-Y(TAPG)	
Q601	32137-301-720		TRANSISTOR	KSC 815-Y(TAPG)/YTAM	
Q701	0504-000123	A4060-0033	TR-DIGITAL	KSR1010,NPN,300MW,10K,TO-	
Q702	0504-000123	A4060-0033	TR-DIGITAL	KSR1010,NPN,300MW,10K,TO-	
△ Q801	A4058-0009		TR-DARLINGTON	TIP102 2W 8A 100V SI/NPN	
△ Q802*	0502-000244	A4052-0055	TR-POWER	KSA940,PNP,-150V,-150V,-1	
Q901	0504-000123	A4060-0033	TR-DIGITAL	KSR1010,NPN,300MW,10K,TO-	
Q902	32137-301-720		TRANSISTOR	KSC 815-Y(TAPG)/YTAM	
Q951	32137-301-560		TRANSISTOR	KSC 2331-Y(TAPG)	
QU05	32137-401-530		TRANSISTOR	KSA 539-Y(TAPG)/YTAM	
QV03*	0504-000123	A4060-0033	TR-DIGITAL	KSR1010,NPN,300MW,10K,TO-	
QX01*	32137-401-530		TRANSISTOR	KSA 539-Y(TAPG)/YTAM	
R102	2001-000221	31018-177-122	R-CARBON	1.2KOHM,5%,1/8W,AA,TP,1.8	
R104	2001-000331	31018-177-123	R-CARBON	12KOHM,5%,1/8W,AA,TP,1.8X	
△ R106	A1004-0405		R-METAL OXIDE	RS 2 RT(S) 100-J 10R	
R108	2001-000281	31018-177-101	R-CARBON	100OHM,5%,1/8W,AA,TP,1.8X	
R201	2001-000780	31018-177-471	R-CARBON	470OHM,5%,1/8W,AA,TP,1.8X	
R202	2001-000221	31018-177-122	R-CARBON	1.2KOHM,5%,1/8W,AA,TP,1.8	
R203	2001-000577	31018-177-202	R-CARBON	2KOHM,5%,1/8W,AA,TP,1.8X3	
R204	2001-000793	31018-177-470	R-CARBON	470OHM,5%,1/8W,AA,TP,1.8X3	
R205	2001-000490	31018-177-201	R-CARBON	200OHM,5%,1/8W,AA,TP,1.8X	
R206	2001-000869	31018-177-560	R-CARBON	560OHM,5%,1/8W,AA,TP,1.8X3	
R207	2001-000674	31018-177-361	R-CARBON	360OHM,5%,1/8W,AA,TP,1.8X	
R207*	2001-000258	31018-177-182	R-CARBON	1.8KOHM,5%,1/8W,AA,TP,1.8	
R208	2001-000674	31018-177-361	R-CARBON	360OHM,5%,1/8W,AA,TP,1.8X	
R209	2001-000281	31018-177-101	R-CARBON	100OHM,5%,1/8W,AA,TP,1.8X	
R210	2001-000281	31018-177-101	R-CARBON	100OHM,5%,1/8W,AA,TP,1.8X	
R211	31018-177-563		R-CARBON/METAL FILM	RD 1/8T 56K-J	
R212	2001-000832	31018-177-511	R-CARBON	510OHM,5%,1/8W,AA,TP,1.8X	
R213	2001-000429	31018-177-102	R-CARBON	1KOHM,5%,1/8W,AA,TP,1.8X3	
R214	2001-000281	31018-177-101	R-CARBON	100OHM,5%,1/8W,AA,TP,1.8X	
R215	2001-000281	31018-177-101	R-CARBON	100OHM,5%,1/8W,AA,TP,1.8X	
R216	2001-000281	31018-177-101	R-CARBON	100OHM,5%,1/8W,AA,TP,1.8X	
R217*	31018-177-753		R-CARBON/METAL FILM	RD 1/8T 75K-J	
R219*	2001-001162	31018-377-564	R-CARBON(S)	560KOHM,5%,1/2W,AB,TP,2.4	
R222	2001-000281	31018-177-101	R-CARBON	100OHM,5%,1/8W,AA,TP,1.8X	
R223	2001-000429	31018-177-102	R-CARBON	1KOHM,5%,1/8W,AA,TP,1.8X3	
R224	2001-000780	31018-177-471	R-CARBON	470OHM,5%,1/8W,AA,TP,1.8X	
R225	2001-000281	31018-177-101	R-CARBON	100OHM,5%,1/8W,AA,TP,1.8X	
R226	2001-000273	31018-177-104	R-CARBON	100KOHM,5%,1/8W,AA,TP,1.8	
R227	2001-000745	31018-177-479	R-CARBON	4.7OHM,5%,1/8W,AA,TP,1.8X	
R228	31018-177-564		R-CARBON/METAL FILM	RD 1/8T 560K-J	
R229	31018-177-680		R-CARBON/METAL FILM	RD 1/8T 68-J	
R230	2001-000591	31018-177-332	R-CARBON	3.3KOHM,5%,1/8W,AA,TP,1.8	
R231	2001-000281	31018-177-101	R-CARBON	100OHM,5%,1/8W,AA,TP,1.8X	
R232	2001-000440	31018-177-109	R-CARBON	1OHM,5%,1/8W,AA,TP,1.8X3.	
R233	2001-000539	31018-177-243	R-CARBON	24KOHM,5%,1/8W,AA,TP,1.8X	
R234	2001-000008	31018-177-153	R-CARBON	15KOHM,5%,1/8W,AA,TP,1.8X	
R235	2001-000522	31018-177-223	R-CARBON	22KOHM,5%,1/8W,AA,TP,1.8X	
R236	2001-000429	31018-177-102	R-CARBON	1KOHM,5%,1/8W,AA,TP,1.8X3	
R237	2001-001139	31018-377-393	R-CARBON(S)	39KOHM,5%,1/2W,AA,TP,2.4X	
R239	31018-177-563		R-CARBON/METAL FILM	RD 1/8T 56K-J	
R240	31018-177-563		R-CARBON/METAL FILM	RD 1/8T 56K-J	
R241	2001-000262	31048-177-185	R-CARBON	1.8MOHM,5%,1/8W,AA,TP,1.8	
R251	31018-177-750		R-CARBON/METAL FILM	RD 1/8T 75-J/ERD-S2TJ 750	
R252	31018-177-750		R-CARBON/METAL FILM	RD 1/8T 75-J/ERD-S2TJ 750	
△ R301*	2004-000152	31047-176-152	R-METAL	1.5KOHM,2%,1/8W,AA,TP,1.8	
R303*	2001-001040	31018-377-688	R-CARBON(S)	0.68OHM,5%,1/2W,AA,TP,2.4	
R304	2001-001184	31018-377-754	R-CARBON(S)	750KOHM,5%,1/2W,AB,TP,2.4	
R305	2001-001184	31018-377-754	R-CARBON(S)	750KOHM,5%,1/2W,AB,TP,2.4	
△ R306*	A1004-0464		R-METAL OXIDE	RS 1 RT(S) 511-J	
△ R309*	A1004-0464		R-METAL OXIDE	RS 1 RT(S) 511-J	

Loc No	New Code No	Old Code No	Description	Specification	Remarks
R403•	2001-001114	31018-377-271	R-CARBON(S)	2700HM, 5%, 1/2W, AA, TP, 2.4X	
R404	2001-001181	31018-377-680	R-CARBON(S)	680HM, 5%, 1/2W, AB, TP, 2.4X6	
△ R405•	2003-000540	A1004-0404	R-METAL OXIDE(S)	1KOHM, 5%, 2W, AD, TP, 4X12MM	
△ R406•	A1010-0063		R-FUSIBLE	RF 2 RT 151-J	
△ R408	2004-001390	31048-361-001	R-METAL(S)	1KOHM, 2%, 1/2W, AA, TP, 2.4X6	
△ R409	A1010-0085		R-FUSIBLE	RF 2 RT(S) R68-J	
△ R410	2008-000206	A1010-0035	R-FUSIBLE(S)	1OHM, 5%, 1/2W, AF, TP, 2.5X6.	
△ R411•	31049-375-104		R-METAL, FILM	FM 1/2T 100K-F	
△ R412•	31049-375-104		R-METAL, FILM	FM 1/2T 100K-F	
R413•	2001-001037	A1000-0660	R-CARBON(S)	0.39OHM, 5%, 1/2W, AA, TP, 2.4	
△ R415	2003-000993	A1004-0481	R-METAL OXIDE(S)	3.9KOHM, 5%, 1W, AF, TP, 3.9X1	
R416	2001-000613	31018-177-392	R-CARBON	3.9KOHM, 5%, 1/8W, AA, TP, 1.8	
△ R417	A1010-0077		R-FUSIBLE	RF 1 T 5R6-J	
△ R450•	A1010-0061		R-FUSIBLE	RF 2 RT 010-J	
△ R523	31058-277-470		R-FUSIBLE	RF 1/4T 47-J	
R601•	2001-000780	31018-177-471	R-CARBON	470OHM, 5%, 1/8W, AA, TP, 1.8X	
R602	2001-000281	31018-177-101	R-CARBON	100OHM, 5%, 1/8W, AA, TP, 1.8X	
R603	2001-000281	31018-177-101	R-CARBON	100OHM, 5%, 1/8W, AA, TP, 1.8X	
R604•	2001-000281	31018-177-101	R-CARBON	100OHM, 5%, 1/8W, AA, TP, 1.8X	
R606	31018-177-824		R-CARBON/METAL FILM	RD 1/8T 820K-J	
R607	2001-000281	31018-177-101	R-CARBON	100OHM, 5%, 1/8W, AA, TP, 1.8X	
R608	2001-000281	31018-177-101	R-CARBON	100OHM, 5%, 1/8W, AA, TP, 1.8X	
R609	2001-000613	31018-177-392	R-CARBON	3.9KOHM, 5%, 1/8W, AA, TP, 1.8	
R610	2001-000734	31018-177-472	R-CARBON	4.7KOHM, 5%, 1/8W, AA, TP, 1.8	
R611	31018-177-751		R-CARBON/METAL FILM	RD 1/8T 750-J	
R612	31018-177-751		R-CARBON/METAL FILM	RD 1/8T 750-J	
R613	2001-000009	31018-177-203	R-CARBON	20KOHM, 5%, 1/8W, AA, TP, 1.8X	
R614	2001-000009	31018-177-203	R-CARBON	20KOHM, 5%, 1/8W, AA, TP, 1.8X	
R615	2001-000429	31018-177-102	R-CARBON	1KOHM, 5%, 1/8W, AA, TP, 1.8X3	
R616	2001-000273	31018-177-104	R-CARBON	100KOHM, 5%, 1/8W, AA, TP, 1.8	
R617	2001-000429	31018-177-102	R-CARBON	1KOHM, 5%, 1/8W, AA, TP, 1.8X3	
R618	2001-001146	31018-377-479	R-CARBON(S)	4.7OHM, 5%, 1/2W, AA, TP, 2.4X	
R619	2001-000522	31018-177-223	R-CARBON	22KOHM, 5%, 1/8W, AA, TP, 1.8X	
R620	2001-000009	31018-177-203	R-CARBON	20KOHM, 5%, 1/8W, AA, TP, 1.8X	
R621•	2001-000273	31018-177-104	R-CARBON	100KOHM, 5%, 1/8W, AA, TP, 1.8	
R667•	2001-000429	31018-177-102	R-CARBON	1KOHM, 5%, 1/8W, AA, TP, 1.8X3	
R701	2001-001146	31018-377-479	R-CARBON(S)	4.7OHM, 5%, 1/2W, AA, TP, 2.4X	
R705•	2001-001187	31018-377-750	R-CARBON(S)	750HM, 5%, 1/2W, AA, TP, 2.4X6	
R708	2001-001187	31018-377-750	R-CARBON(S)	750HM, 5%, 1/2W, AA, TP, 2.4X6	
R709	2001-001187	31018-377-750	R-CARBON(S)	750HM, 5%, 1/2W, AA, TP, 2.4X6	
R712	31018-377-102		R-CARBON/METAL FILM	RD 1/2T 1K-J	
R713	2001-000085	31018-377-104	R-CARBON(S)	100KOHM, 5%, 1/2W, AA, TP, 2.4	
R714	31018-377-102		R-CARBON/METAL FILM	RD 1/2T 1K-J	
R715	2001-000085	31018-377-104	R-CARBON(S)	100KOHM, 5%, 1/2W, AA, TP, 2.4	
R716	31018-377-102		R-CARBON/METAL FILM	RD 1/2T 1K-J	
R717	2001-000085	31018-377-104	R-CARBON(S)	100KOHM, 5%, 1/2W, AA, TP, 2.4	
R718	31018-377-102		R-CARBON/METAL FILM	RD 1/2T 1K-J	
R719	2001-000085	31018-377-104	R-CARBON(S)	100KOHM, 5%, 1/2W, AA, TP, 2.4	
R720•	2001-000085	31018-377-104	R-CARBON(S)	100KOHM, 5%, 1/2W, AA, TP, 2.4	
R721•	2001-000085	31018-377-104	R-CARBON(S)	100KOHM, 5%, 1/2W, AA, TP, 2.4	
R722	2001-000252	31018-177-162	R-CARBON	1.6KOHM, 5%, 1/8W, AA, TP, 1.8	
R723	2001-000429	31018-177-102	R-CARBON	1KOHM, 5%, 1/8W, AA, TP, 1.8X3	
R724	2001-001060	31018-377-101	R-CARBON(S)	100OHM, 5%, 1/2W, AB, TP, 2.4X	
R725	2001-001060	31018-377-101	R-CARBON(S)	100OHM, 5%, 1/2W, AB, TP, 2.4X	
△ R801•	A1008-0013		R-METAL PLATE	RP 5 MP-P R27-K MPC71 0.2	
R802	2001-001117	A1000-0586	R-CARBON(S)	2KOHM, 5%, 1/2W, AA, TP, 2.4X6	
R803	2001-001117	A1000-0586	R-CARBON(S)	2KOHM, 5%, 1/2W, AA, TP, 2.4X6	
R804	2001-001150	31018-377-474	R-CARBON(S)	470KOHM, 5%, 1/2W, AA, TP, 2.4	
△ R805•	31028-328-475		R-COMPOSITION	RC 1/2T 4.7M-K/ERC-12GK 4	
R806	2001-001071	31018-377-123	R-CARBON(S)	12KOHM, 5%, 1/2W, AA, TP, 2.4X	
R807	2001-001071	31018-377-123	R-CARBON(S)	12KOHM, 5%, 1/2W, AA, TP, 2.4X	
R808	2001-001150	31018-377-474	R-CARBON(S)	470KOHM, 5%, 1/2W, AA, TP, 2.4	

Loc No	New Code No	Old Code No	Description	Specification	Remarks
△ R809*	2003-000713	A1004-0428	R-METAL OXIDE(S)	470HM, 5%, 2W, AD, TP, 4X12MM	
△ R810	A1004-0478		R-METAL OXIDE	RS 2 RT(S) 121-J	
△ R811*	2003-000746	A1004-0427	R-METAL OXIDE(S)	560HM, 5%, 2W, AD, TP, 4X12MM	
△ R812	A1010-0076		R-FUSIBLE	RF 1 RT(S) R27-K	
R813	2001-001078	31018-377-153	R-CARBON(S)	15KOHM, 5%, 1/2W, AA, TP, 2.4X	
R814	2001-001117	A1000-0586	R-CARBON(S)	2KOHM, 5%, 1/2W, AA, TP, 2.4X6	
△ R815*	A1014-0085		R-CEMENT	RWC 5 I 220-J 22R	
△ R816	A1004-0454		R-METAL OXIDE	RS 2 RT 123-J 12K	
△ R817	2003-000996	A1004-0491	R-METAL OXIDE(S)	8.2KOHM, 5%, 2W, AF, TP, 3.9X1	
△ R818	A1004-0431		R-METAL OXIDE	RS 2 RT(S) 103-J 10K	
△ R819	2003-000746	A1004-0427	R-METAL OXIDE(S)	560HM, 5%, 2W, AD, TP, 4X12MM	
R820*	2001-001187	31018-377-750	R-CARBON(S)	750HM, 5%, 1/2W, AA, TP, 2.4X6	
R821*	2001-001143	31018-377-432	R-CARBON(S)	4.3KOHM, 5%, 1/2W, AA, TP, 2.4	
R822	2001-000273	31018-177-104	R-CARBON	100KOHM, 5%, 1/8W, AA, TP, 1.8	
R851*	31018-377-272		R-CARBON/METAL FILM	RD 1/2T 2.7K-J	
R852*	2001-001051	31018-377-152	R-CARBON(S)	1.5KOHM, 5%, 1/2W, AB, TP, 2.4	
△ R853	2003-000713	A1004-0428	R-METAL OXIDE(S)	470HM, 5%, 2W, AD, TP, 4X12MM	
R901	2001-000793	31018-177-470	R-CARBON	470HM, 5%, 1/8W, AA, TP, 1.8X3	
R902	2001-000429	31018-177-102	R-CARBON	1KOHM, 5%, 1/8W, AA, TP, 1.8X3	
R903	2001-000281	31018-177-101	R-CARBON	100OHM, 5%, 1/8W, AA, TP, 1.8X	
R904	2001-000281	31018-177-101	R-CARBON	100OHM, 5%, 1/8W, AA, TP, 1.8X	
R905	2001-000429	31018-177-102	R-CARBON	1KOHM, 5%, 1/8W, AA, TP, 1.8X3	
R906	2001-000472	31018-177-272	R-CARBON	2.7KOHM, 5%, 1/8W, AA, TP, 1.8	
R907	31018-177-821		R-CARBON/METAL FILM	RD 1/8T 820-J	
R908	2001-000232	31018-177-132	R-CARBON	1.3KOHM, 5%, 1/8W, AA, TP, 1.8	
R909	2001-000800	31018-177-512	R-CARBON	5.1KOHM, 5%, 1/8W, AA, TP, 1.8	
R910	2001-000429	31018-177-102	R-CARBON	1KOHM, 5%, 1/8W, AA, TP, 1.8X3	
R911	2001-000290	31018-177-103	R-CARBON	10KOHM, 5%, 1/8W, AA, TP, 1.8X	
R912	2001-000832	31018-177-511	R-CARBON	510OHM, 5%, 1/8W, AA, TP, 1.8X	
R914	2001-000515	31018-177-221	R-CARBON	220OHM, 5%, 1/8W, AA, TP, 1.8X	
R915	2001-000472	31018-177-272	R-CARBON	2.7KOHM, 5%, 1/8W, AA, TP, 1.8	
R916	2001-000429	31018-177-102	R-CARBON	1KOHM, 5%, 1/8W, AA, TP, 1.8X3	
R917	2001-000429	31018-177-102	R-CARBON	1KOHM, 5%, 1/8W, AA, TP, 1.8X3	
R919	2001-000429	31018-177-102	R-CARBON	1KOHM, 5%, 1/8W, AA, TP, 1.8X3	
R920	2001-000522	31018-177-223	R-CARBON	22KOHM, 5%, 1/8W, AA, TP, 1.8X	
R921	2001-001062	31018-377-106	R-CARBON(S)	10MOHM, 5%, 1/2W, AA, TP, 2.4X	
R922	2001-000281	31018-177-101	R-CARBON	100OHM, 5%, 1/8W, AA, TP, 1.8X	
R923	2001-000281	31018-177-101	R-CARBON	100OHM, 5%, 1/8W, AA, TP, 1.8X	
R924	2001-000449	31018-177-222	R-CARBON	2.2KOHM, 5%, 1/8W, AA, TP, 1.8	
R925	2001-000449	31018-177-222	R-CARBON	2.2KOHM, 5%, 1/8W, AA, TP, 1.8	
R926	2001-000449	31018-177-222	R-CARBON	2.2KOHM, 5%, 1/8W, AA, TP, 1.8	
R927	2001-000290	31018-177-103	R-CARBON	10KOHM, 5%, 1/8W, AA, TP, 1.8X	
R928	31018-177-563		R-CARBON/METAL FILM	RD 1/8T 56K-J	
R930*	2001-000577	31018-177-202	R-CARBON	2KOHM, 5%, 1/8W, AA, TP, 1.8X3	
R931	2001-000786	31018-177-473	R-CARBON	47KOHM, 5%, 1/8W, AA, TP, 1.8X	
R932	2001-001062	31018-377-106	R-CARBON(S)	10MOHM, 5%, 1/2W, AA, TP, 2.4X	
R933	2001-000429	31018-177-102	R-CARBON	1KOHM, 5%, 1/8W, AA, TP, 1.8X3	
R934	2001-000429	31018-177-102	R-CARBON	1KOHM, 5%, 1/8W, AA, TP, 1.8X3	
R951	2001-000290	31018-177-103	R-CARBON	10KOHM, 5%, 1/8W, AA, TP, 1.8X	
R952	2001-000472	31018-177-272	R-CARBON	2.7KOHM, 5%, 1/8W, AA, TP, 1.8	
R953	2001-000290	31018-177-103	R-CARBON	10KOHM, 5%, 1/8W, AA, TP, 1.8X	
R954	2001-000290	31018-177-103	R-CARBON	10KOHM, 5%, 1/8W, AA, TP, 1.8X	
R955	2001-000290	31018-177-103	R-CARBON	10KOHM, 5%, 1/8W, AA, TP, 1.8X	
R956	2001-000734	31018-177-472	R-CARBON	4.7KOHM, 5%, 1/8W, AA, TP, 1.8	
R957	2001-001181	31018-377-680	R-CARBON(S)	680HM, 5%, 1/2W, AB, TP, 2.4X6	
△ R958	2004-000152	31047-176-152	R-METAL	1.5KOHM, 2%, 1/8W, AA, TP, 1.8	
R959	2001-000290	31018-177-103	R-CARBON	10KOHM, 5%, 1/8W, AA, TP, 1.8X	
R960	2001-000281	31018-177-101	R-CARBON	100OHM, 5%, 1/8W, AA, TP, 1.8X	
R961	2001-000679	31018-177-363	R-CARBON	36KOHM, 5%, 1/8W, AA, TP, 1.8X	
R962	2001-000290	31018-177-103	R-CARBON	10KOHM, 5%, 1/8W, AA, TP, 1.8X	
R963	31018-377-102		R-CARBON/METAL FILM	RD 1/2T 1K-J	
R964	31018-377-102		R-CARBON/METAL FILM	RD 1/2T 1K-J	

Loc No.	New Code No.	Old Code No.	Description	Specification	Remarks
	R965	2001-000273	31018-177-104	R-CARBON	100KOHM, 5%, 1/8W, AA, TP, 1.8
△	RA01*	2003-000458	A1004-0430	R-METAL OXIDE(S)	100OHM, 5%, 2W, AD, TP, 4X12MM
△	RA02*	2003-000458	A1004-0430	R-METAL OXIDE(S)	100OHM, 5%, 2W, AD, TP, 4X12MM
△	RA03*	2003-000458	A1004-0430	R-METAL OXIDE(S)	100OHM, 5%, 2W, AD, TP, 4X12MM
	RL801	3501-000285	34729-004-010	RELAY-POWER	12V, -, 10A, -, 15MS, 5MS
	RM901*	AA59-60002B	A1294-0063	MODULE-REMOCON	-, CRC-50HF, 38KHZ, 940MM, ME
	RN01*	31018-177-821		R-CARBON/METAL FILM	RD 1/8T 820-J
	RN10*	2001-000290	31018-177-103	R-CARBON	10KOHM, 5%, 1/8W, AA, TP, 1.8X
	RN11*	2001-000290	31018-177-103	R-CARBON	10KOHM, 5%, 1/8W, AA, TP, 1.8X
△	RU01*	31028-328-185		R-COMPOSITION	RC 1/2T 1.8M-K/ERC-12GK 1
	RU02*	2001-000780	31018-177-471	R-CARBON	470OHM, 5%, 1/8W, AA, TP, 1.8X
	RU03*	2001-000290	31018-177-103	R-CARBON	10KOHM, 5%, 1/8W, AA, TP, 1.8X
	RU04	2001-000577	31018-177-202	R-CARBON	2KOHM, 5%, 1/8W, AA, TP, 1.8X3
	RU05	2001-000577	31018-177-202	R-CARBON	2KOHM, 5%, 1/8W, AA, TP, 1.8X3
	RU06	2001-000577	31018-177-202	R-CARBON	2KOHM, 5%, 1/8W, AA, TP, 1.8X3
	RU07	2001-000429	31018-177-102	R-CARBON	1KOHM, 5%, 1/8W, AA, TP, 1.8X3
	RU08*	2001-000005	31018-177-391	R-CARBON	390OHM, 5%, 1/8W, AA, TP, 1.8X
	RU09*	2001-000005	31018-177-391	R-CARBON	390OHM, 5%, 1/8W, AA, TP, 1.8X
	RU10*	2001-000005	31018-177-391	R-CARBON	390OHM, 5%, 1/8W, AA, TP, 1.8X
	RU13	2001-000613	31018-177-392	R-CARBON	3.9KOHM, 5%, 1/8W, AA, TP, 1.8
	RU14*	31018-177-621		R-CARBON/METAL FILM	RD 1/8T 620-J
	RU15*	31018-177-621		R-CARBON/METAL FILM	RD 1/8T 620-J
	RU16*	31018-177-621		R-CARBON/METAL FILM	RD 1/8T 620-J
	RU17	2001-000429	31018-177-102	R-CARBON	1KOHM, 5%, 1/8W, AA, TP, 1.8X3
	RU18	2001-000429	31018-177-102	R-CARBON	1KOHM, 5%, 1/8W, AA, TP, 1.8X3
	RU19	2001-000429	31018-177-102	R-CARBON	1KOHM, 5%, 1/8W, AA, TP, 1.8X3
	RV12	2001-000290	31018-177-103	R-CARBON	10KOHM, 5%, 1/8W, AA, TP, 1.8X
	RV12	2001-000290	31018-177-103	R-CARBON	10KOHM, 5%, 1/8W, AA, TP, 1.8X
	RX01*	2001-000397	31018-177-184	R-CARBON	180KOHM, 5%, 1/8W, AA, TP, 1.8
	RX02*	31018-177-623		R-CARBON/METAL FILM	RD 1/8T 62K-J
	RX03*	2001-000522	31018-177-223	R-CARBON	22KOHM, 5%, 1/8W, AA, TP, 1.8X
	RX04*	2001-000766	31018-177-433	R-CARBON	43KOHM, 5%, 1/8W, AA, TP, 1.8X
	RX05*	2001-000290	31018-177-103	R-CARBON	10KOHM, 5%, 1/8W, AA, TP, 1.8X
△	RX06*	2008-000206	A1010-0035	R-FUSIBLE(S)	1OHM, 5%, 1/2W, AF, TP, 2.5X6.
	SF101*	2904-000287	B1245-0052	FILTER-SAW AV	45.75MHZ, SIP5P, ST
	SF102	2904-000289	B1245-0045	FILTER-SAW AV	45.75MHZ, SIP5P, ST
△	SPK	3001-000191	A1300-0068	SPEAKER	3W, 8OHM, 90DB, 180HZ
△	SPK	AA39-20103A	36434-0055-020	LEAD-CONNECTOR, ASSY	-, YSH025-04, #205/#110, 4P,
	SW901*	3404-000244	B3018-0034	SWITCH-TACT	15V, 20MA, 90-170GF, 7.5X7MM
	SW902*	3404-000244	B3018-0034	SWITCH-TACT	15V, 20MA, 90-170GF, 7.5X7MM
	SW903*	3404-000244	B3018-0034	SWITCH-TACT	15V, 20MA, 90-170GF, 7.5X7MM
	SW904*	3404-000244	B3018-0034	SWITCH-TACT	15V, 20MA, 90-170GF, 7.5X7MM
	SW905*	3404-000244	B3018-0034	SWITCH-TACT	15V, 20MA, 90-170GF, 7.5X7MM
	SWN01*	A3018-0072		SW-TACT, V	JTM-1113J/KPT-1122A 4.4X1
△	T201*	AA26-10005E	A1195-0028	TRANS-IF	-, 7MM, 1F, 0.136UH, 7MM, 27PF
△	T401*	AA26-50001B	32846-070-007	HORIZ. DRIVE	-, 7.1MH, 102UH, 10-20UH, YLO
△	T444	AA26-30002H	A1201-0046	TRANS-FRYBACK	-, FSV-20B001, 20°, 125V
△	T801*	AA26-20004D	A1206-0095	TRANS-SWITCHING	-, 80-260V, -, ER424215, 630U
△	TU01*	AA40-10003B	A1292-0098	TUNER-F/S	-, TECC-1080PA25A, NTSC-USA
	US0082	34503-0100-000		STICKER-RATING	TETRONE PAPER 90(G) ALL
	X202*	2801-000229	B1280-0116	CRYSTAL-UNIT	3.579545MHZ, 30PPM, 28-AAM,
	Z201	34527-460-001		FILTER-CERAMIC	TPS4.5MCTF21
	Z601*	2903-000135	B1243-0071	FILTER-CERAMIC	BP, 4.5MHZ
				ASSY-LED, GUIDE	
△	LD901*	*3H77-00001-070		ASSY-LED, GUIDE	32309-121-005, DL-G5RGA
				ASSY-H/S, SOUND	
△	IC601*	*3Y81-00010-010 B4012-0418		ASSY-H/S, SOUND IC-LINEAR	31122-0017-140 TDA7266 SA TDA7266 ZIF BULK POWER-AM

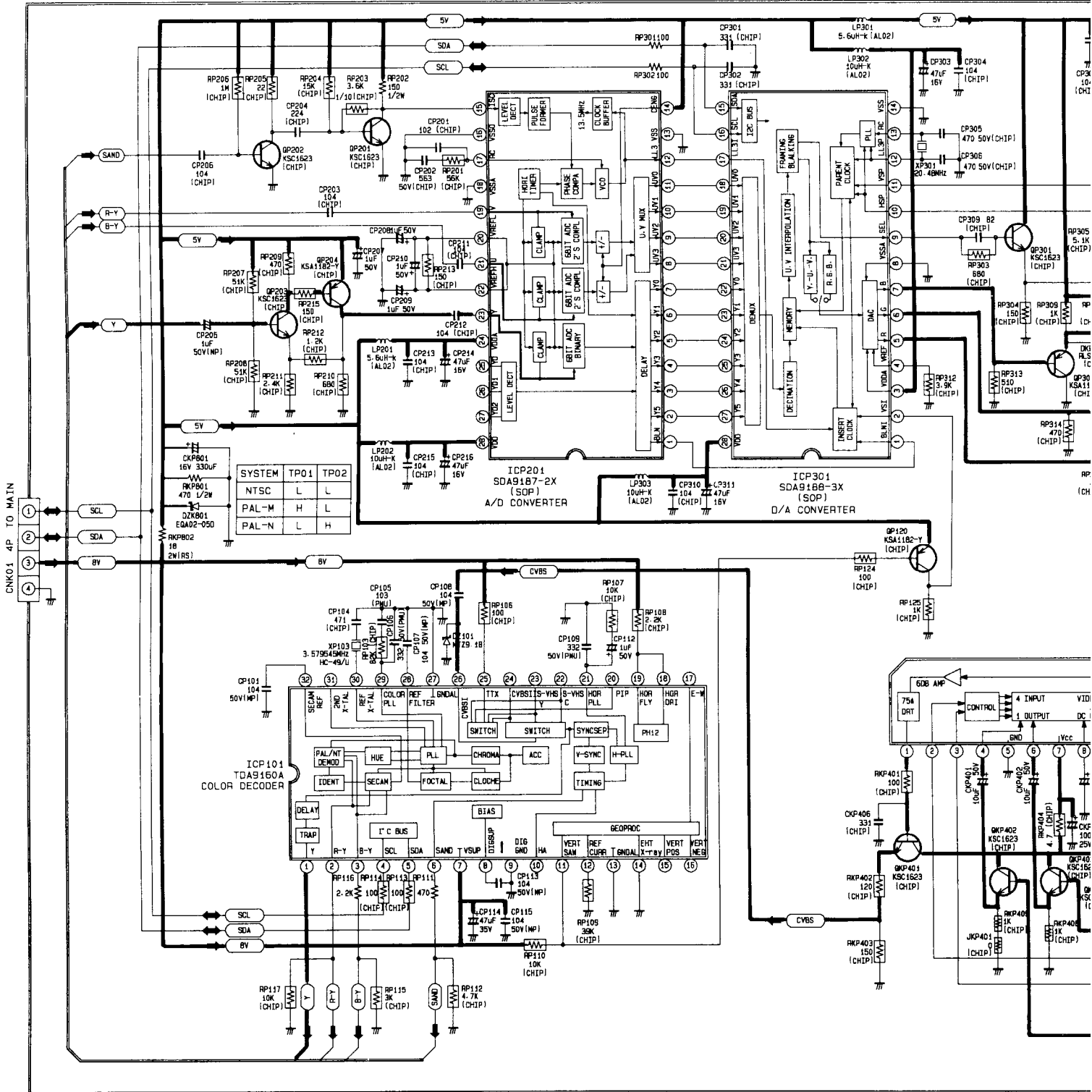
## 2-4 One Chip TV-processor

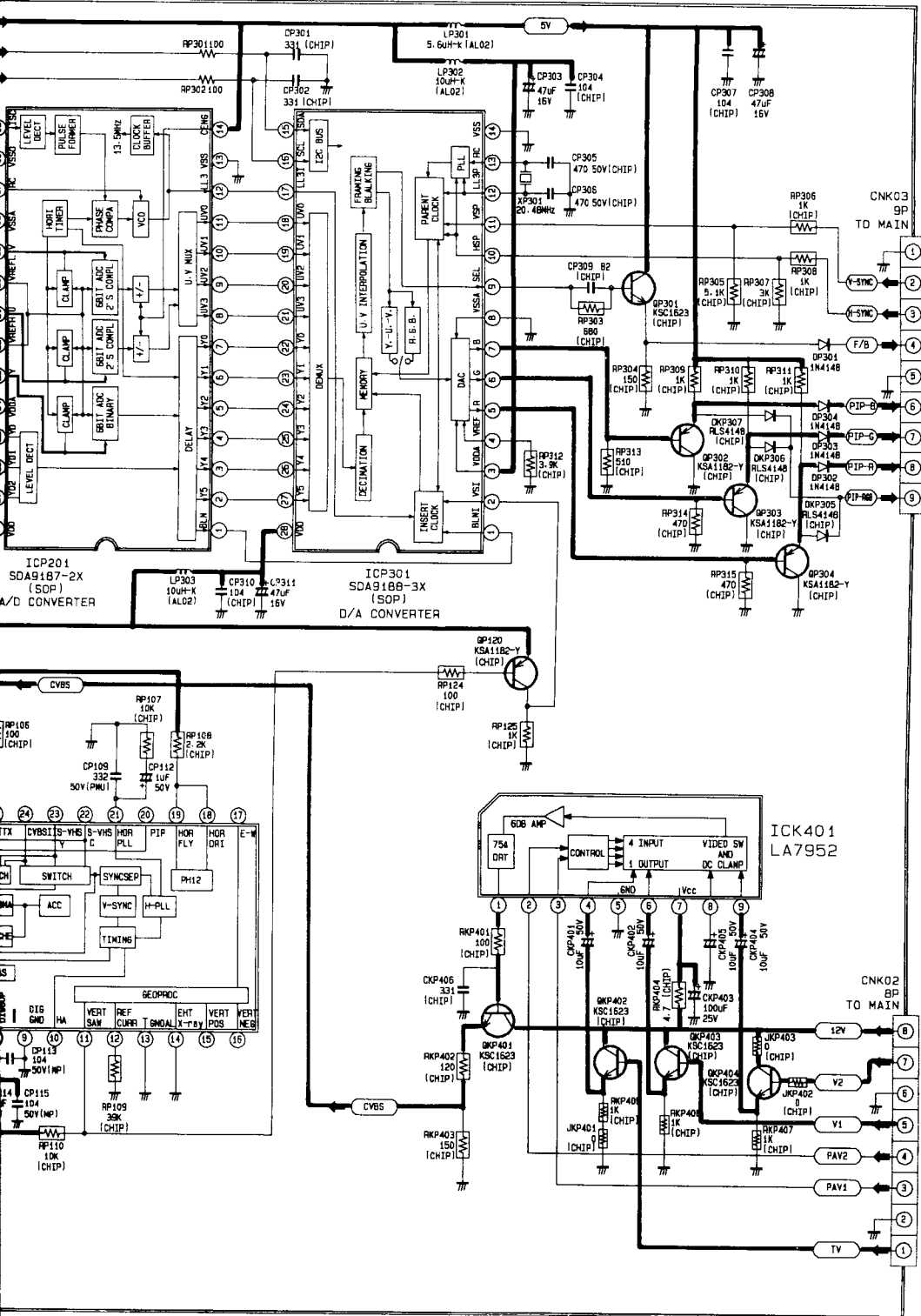


CVBS : Composite Video Broadcasting Signal



SCHEMATIC DIAGRAM  
 CHASSIS: KCT52A  
 MODEL: CT-6846P  
 BOARD NAME: PIP  
 PCB CODE NO. 36029-0578-000





Power Line

Signal Line

## 6-3. 25 Inch Only

### 6-3-1.TXE2545

Loc No.	New Code No.	Old Code No.	Description	Specification	Remarks
			ASSY-PCB,MAIN		
	*AA97-10031L		ASSY-PCB,MAIN(COM)	TXE2545/UCX,KCT52A,SEA,NO	
PCB	36029-0590-000		P.C.B-MAIN	T1.6 W330 L245 KCT52A	BARE PCB
C/FBT	AA65-30002A	33333-0005-010	CLAMP-FBT	- ,NYLON-66 ,VO, BLK , - , -	
C/WIRE	AA65-30003A	33333-0011-000	CLAMP-WIRE	- ,NYLON-66 ,VO,NTR ,V-MODEL	
C/WIRE	AA65-30009A	36633-101-911	CLAMP-FBT	- ,ABS ,VO, BLK , - , -	
C/WIRE	AA65-30010A	36634-111-010	CLAMP-WIRE	- ,NYLON-66 ,VO,NTR , - , -	
C/WIRE	AA65-30010B	36634-111-020	CLAMP-WIRE	- ,NYLON-66 ,VO,NTR , - , -	
C/WIRE	AA65-30018A	36635-112-010	CLAMP-WIRE	- ,NYLON-66 ,VO,NTR,DATL-60	
C101	31607-402-260		C-ELECTROLYTIC	CE04W TAPG 50V 22M-M	
C102	2401-001495	31607-401-460	C-AL	47UF,20%,16V,GP,5X11MM,5M	
C103	2401-001530	31607-401-670	C-AL	47UF,20%,25V,GP,5X11MM,5M	
C104	2202-000127	A1100-0803	C-CERAMIC,MLC-AXIAL	10NF,+80-20%,25V,Y5V,-,7.	
C105	31607-402-200		C-ELECTROLYTIC	CE04W TAPG 50V 0.47M	
C106	2202-000127	A1100-0803	C-CERAMIC,MLC-AXIAL	10NF,+80-20%,25V,Y5V,-,7.	
C107	31607-402-200		C-ELECTROLYTIC	CE04W TAPG 50V 0.47M	
C108	2401-000480	31607-402-250	C-AL	10UF,20%,50V,GP,5X11MM,5M	
C109	2401-001530	31607-401-670	C-AL	47UF,20%,25V,GP,5X11MM,5M	
C110	2401-000269	31607-401-470	C-AL	100UF,20%,16V,GP,6X11MM,5	
C111	2201-000611	31407-105-280	C-CERAMIC,DISC	56PF,5%,50V,NPO,6.3X3MM,5	
C112	2306-000122	B1102-0318	C-FILM,MPPF	100NF,5%,50V,7.3X4.0X5.0M	
C201	2202-000127	A1100-0803	C-CERAMIC,MLC-AXIAL	10NF,+80-20%,25V,Y5V,-,7.	
C202	2301-000247	31507-127-009	C-FILM,PEF	33NF,5%,50V,8.1X4.5X13MM,	
C203	2306-000122	B1102-0318	C-FILM,MPPF	100NF,5%,50V,7.3X4.0X5.0M	
C204	31607-402-220		C-ELECTROLYTIC	CE04W TAPG 50V 2.2M	
C205	2301-000223	31507-137-016	C-FILM,PEF	22NF,5%,100V,7.2X4.5X9.0M	
C206	2301-000192	31507-127-000	C-FILM,PEF	1NF,5%,50V,5.3X10MM,5MM,T	
C209*	2306-000122	B1102-0318	C-FILM,MPPF	100NF,5%,50V,7.3X4.0X5.0M	
C210	2401-000269	31607-401-470	C-AL	100UF,20%,16V,GP,6X11MM,5	
C211	2306-000122	B1102-0318	C-FILM,MPPF	100NF,5%,50V,7.3X4.0X5.0M	
C212	2301-000285	31507-127-010	C-FILM,PEF	47NF,5%,50V,7.5X4.0X6.5,5	
C213	2306-000122	B1102-0318	C-FILM,MPPF	100NF,5%,50V,7.3X4.0X5.0M	
C214	2301-000380	31507-127-006	C-FILM,PEF	10NF,5%,50V,6.5X3MM,5MM,T	
C216	31407-105-110		C-CERAMIC,TEMP	CC45 TAPG CH 50V 120-J	
C217	2201-000389	31407-105-180	C-CERAMIC,DISC	22PF,5%,50V,NPO,5.0X3.0,2	
C218	2306-000122	B1102-0318	C-FILM,MPPF	100NF,5%,50V,7.3X4.0X5.0M	
C219*	2306-000122	B1102-0318	C-FILM,MPPF	100NF,5%,50V,7.3X4.0X5.0M	
C220*	2306-000122	B1102-0318	C-FILM,MPPF	100NF,5%,50V,7.3X4.0X5.0M	
C221*	2301-000224	31507-127-008	C-FILM,PEF	22NF,5%,50V,7.4X3.9X13MM,	
C222*	2301-000224	31507-127-008	C-FILM,PEF	22NF,5%,50V,7.4X3.9X13MM,	
C223	2201-000144	31407-105-660	C-CERAMIC,DISC	100PF,5%,50V,NPO,8.0X4.0M	
C224	2301-000264	31507-127-016	C-FILM,PEF	4.7NF,5%,50V,6.5X5.5X3.0X	
C225	2306-000122	B1102-0318	C-FILM,MPPF	100NF,5%,50V,7.3X4.0X5.0M	
C226	2401-000269	31607-401-470	C-AL	100UF,20%,16V,GP,6X11MM,5	
C227	2306-000122	B1102-0318	C-FILM,MPPF	100NF,5%,50V,7.3X4.0X5.0M	
C228	31607-402-220		C-ELECTROLYTIC	CE04W TAPG 50V 2.2M	
C229	2306-000122	B1102-0318	C-FILM,MPPF	100NF,5%,50V,7.3X4.0X5.0M	
C230	2202-000162	A1100-0824	C-CERAMIC,MLC-AXIAL	15PF,5%,50V,SL,3.5X19MM,-	
C231	2301-000201	31507-127-002	C-FILM,PEF	2.2NF,5%,50V,7.4X3.9X13MM	
C232	2301-000264	31507-127-016	C-FILM,PEF	4.7NF,5%,50V,6.5X5.5X3.0X	
C233	2401-000603	31607-402-210	C-AL	1UF,20%,50V,GP,5X11MM,5MM	
C237	2306-000122	B1102-0318	C-FILM,MPPF	100NF,5%,50V,7.3X4.0X5.0M	
C238	2306-000122	B1102-0318	C-FILM,MPPF	100NF,5%,50V,7.3X4.0X5.0M	
C239	31607-402-220		C-ELECTROLYTIC	CE04W TAPG 50V 2.2M	

Loc No	New Code No	Old Code No	Description	Specification	Remarks
△ IC801*	AA13-20002K		IC-HYBRID	- ,STR-S6709 LF953,SIP,9P,	
			ASSY-H/S,POWER		
△ D803	*3Y83-20037-010 0402-000233		ASSY-H/S,POWER DIODE-RECTIFIER	31124-0029-000 FML-G12 SM FML-G12S,200V,5A,-	CKD S.N.A
			ASSY-H/S,POWER		
△ IC802	*3Y83-20038-010 B4008-1162		ASSY-H/S,POWER IC-S/W REGU	31124-0032-000 TDA8133 SM TDA8133 SIP 9P	CKD S.N.A
			ASSY-H/S,TR		
△ IC853	*3Y84-70050-010 1203-000165		ASSY-H/S,TR IC-POS1.ADJUST REG.	31123-0037-020 KA78R12 SM 78R12,TO-220,3P,-,-,12V,-	CKD S.N.A
			ASSY-H/S,TR		
△ D812*	*3Y84-70051-010 0402-000231		ASSY-H/S,TR DIODE-RECTIFIER	31123-0037-020 FMG-G26S S FMG-G26S,600V,4A,TO-220F	CKD S.N.A
			ASSY-H/S,TR		
△ D810	*3Y84-70052-010 B4102-0087		ASSY-H/S,TR DIODE-FR	31123-0037-050 FML-G22S S FML-G22S 200V 10A 40NS	CKD S.N.A
			ASSY-H/S VERT(HORI)		
△ Q401	*AA96-60350A 0502-000209		ASSY-H/S VERT(HORI) TR-POWER	- ,MAIN,AA62-30002A,2SD188 2SD1880,NPN,1500V,800V,8A	
			ASSY-ACCESSORY		
M/TRANS	AA26-90001E	32759-115-040	TRANS-MATCHING	- ,3000HM/750HM,NTSC,40-89	
RCA/C	AA39-40001F	33394-100-163	CABLE-RCA	- ,RCA,150MM,0.12/10,WHT/R	
USER/M	AA68-10752A		MANUAL-USERS	WP100,-,-,ENG KCT51A SEA,	
RE/CARD	AA68-40031A	34779-0005-000	CARD-REGISTRATION	- ,W/P 100(G),- ,WHT,SEA,-	
W/CARD	AA68-40045A	A0120-2010	CARD-WARRANTY	- ,-,L1850,WHT,SEA,SECA,W1	
W/CARD	AA68-40071A		CARD-WARRANTY	W/P100(G),-,-,-,SEA,-	
			ASSY-CRT		
△ V999	AA03-10007U	B1320-0202	CRT-COLOR	- ,A63LAV61X,+450MG,26°,10	
△ D/Y	AA27-50002U	B1148-0019	DEFLECTION-YOKE	- ,DAJ5012M,26°/A63LAV11X,	
△ C/Y	AA27-60001M	A1155D0003	MAGNET-CONVERGENCE	DP,NY-291,29.1MM	
SP-DY	AA63-60032B	36814-101-921	SPACER-DY	- ,NEOPRENE,- ,BLK,V0 SL-10	
			ASSY-PCB,CRT		
	*AA97-70004A		ASSY-PCB,CRT	- ,KCT52A,25°,USA/CANADA,C	
PCB	AA41-10459A	36029-0539-000	PCB-CRT	KP2,1,FR-1,330X245X1.6T	BARE PCB
C502	2305-000289	A1102-0291	C-FILM,MPEF	220NF,5%,63V,- ,5MM,TP	
C503	2401-000832	31607-401-690	C-AL	220UF,20%,25V,GP,8X11MM,5	
C504	2202-000287	A1100-0821	C-CERAMIC,MLC-AXIAL	5PF,0.5PF,50V,NPO,- ,7.5MM	
C505	2202-000287	A1100-0821	C-CERAMIC,MLC-AXIAL	5PF,0.5PF,50V,NPO,- ,7.5MM	
C506	2202-000287	A1100-0821	C-CERAMIC,MLC-AXIAL	5PF,0.5PF,50V,NPO,- ,7.5MM	
C507	2201-000556	31417-106-090	C-CERAMIC,DISC	470PF,10%,500V,Y5P,6X3.5M	
C508	2201-000556	31417-106-090	C-CERAMIC,DISC	470PF,10%,500V,Y5P,6X3.5M	
C509	2201-000556	31417-106-090	C-CERAMIC,DISC	470PF,10%,500V,Y5P,6X3.5M	

Loc No	New Code No	Old Code No	Description	Specification	Remarks
	C510	2401-001232	31607-403-480	C-AL	4.7UF, 20%, 250V, GP, 10X12.5
	C511	2306-000212	A1102-0317	C-FILM, MPPF	470NF, 20%, 250V, -, 22.5MM, B
	C512	2306-000212	A1102-0317	C-FILM, MPPF	470NF, 20%, 250V, -, 22.5MM, B
	C514	2201-000379	31417-109-220	C-CERAMIC, DISC	22NF, +80-20%, 50V, Y5V, 8.0X
△	C515	31607-403-490		C-ELECTROLYTIC	CE04W TAPG 250V 10M-M
	C516	2306-000212	A1102-0317	C-FILM, MPPF	470NF, 20%, 250V, -, 22.5MM, B
△	C517	A1100-0831		C-CERAMIC	CK 45 Z4V 3KV T 103-Z HCF
	C519	2401-000832	31607-401-690	C-AL	220UF, 20%, 25V, GP, 8X11MM, 5
	C520	2306-000122	B1102-0318	C-FILM, MPPF	100NF, 5%, 50V, 7.3X4.0X5.0M
	CN501	33347-110-410		POST-HEADER	67094-010(AUTO)
	CN501	AA39-20025E	33058-015-016	LEAD-CONNECTOR, ASSY	-, 67096-010, S, 10P, 400, 100
	CN502	33347-108-140		POST-HEADER	67094-006 (AUTO)
	CN502	AA39-20027C	33058-017-020	LEAD-CONNECTOR, ASSY	-, 67096-006, S, 6P, 500, 1007
	D501	32167-406-480		DIODE	1N4148 TAPG
△	D503	0402-000129	32167-201-070	DIODE-RECTIFIER	1N4003, 200V, 1A, DO-41
	D504	32167-406-480		DIODE	1N4148 TAPG
	D505	32167-406-480		DIODE	1N4148 TAPG
	D506	32167-406-480		DIODE	1N4148 TAPG
	D507	32167-406-480		DIODE	1N4148 TAPG
	DZ501	0403-000655	32167-406-150	DIODE-ZENER	MTZ13A, 13V, 12.11-12.75V, 5
	DZ502	0403-000662	32167-441-002	DIODE-ZENER	MTZ3.0B, 3.0V, 3.01-3.22V, 5
	DZ503	0403-000655	32167-406-150	DIODE-ZENER	MTZ13A, 13V, 12.11-12.75V, 5
	DZ504	0403-000655	32167-406-150	DIODE-ZENER	MTZ13A, 13V, 12.11-12.75V, 5
	GT501	33124-111-100		GT-PIN	1P AUTO
	GT502	33124-111-100		GT-PIN	1P AUTO
△	Q501	32137-301-720		TRANSISTOR	KSC 815-Y(TAPG)/YTAM
	R501	2001-000429	31018-177-102	R-CARBON	1KOHM, 5%, 1/8W, AA, TP, 1.8X3
△	R502	2004-001397	A1006-0741	R-METAL(S)	4.7KOHM, 1%, 1/2W, AA, TP, 2.4
△	R503	2004-001402	A1006-0672	R-METAL(S)	6.8KOHM, 1%, 1/2W, AA, TP, 2.4
	R505	2001-000449	31018-177-222	R-CARBON	2.2KOHM, 5%, 1/8W, AA, TP, 1.8
	R506	2001-000449	31018-177-222	R-CARBON	2.2KOHM, 5%, 1/8W, AA, TP, 1.8
	R507	2001-000449	31018-177-222	R-CARBON	2.2KOHM, 5%, 1/8W, AA, TP, 1.8
△	R508	2004-001970	A1006-1005	R-METAL(S)	1.8KOHM, 1%, 1/2W, AA, TP, 6.5
△	R509	2004-001970	A1006-1005	R-METAL(S)	1.8KOHM, 1%, 1/2W, AA, TP, 6.5
△	R510	2004-001970	A1006-1005	R-METAL(S)	1.8KOHM, 1%, 1/2W, AA, TP, 6.5
△	R511	31049-375-104		R-METAL, FILM	RM 1/2T 100K-F
△	R512	31049-375-104		R-METAL, FILM	RM 1/2T 100K-F
△	R513	31049-375-104		R-METAL, FILM	RM 1/2T 100K-F
	R514	2001-000490	31018-177-201	R-CARBON	200OHM, 5%, 1/8W, AA, TP, 1.8X
	R515	2001-000490	31018-177-201	R-CARBON	200OHM, 5%, 1/8W, AA, TP, 1.8X
	R516	2001-000490	31018-177-201	R-CARBON	200OHM, 5%, 1/8W, AA, TP, 1.8X
△	R517*	31028-328-272		R-COMPOSITION	RC 1/2T 2.7K-K/ERC-12GK 2
△	R518*	31028-328-272		R-COMPOSITION	RC 1/2T 2.7K-K/ERC-12GK 2
△	R519*	31028-328-272		R-COMPOSITION	RC 1/2T 2.7K-K/ERC-12GK 2
	R520	2001-001090	31018-377-105	R-CARBON(S)	1MOHM, 5%, 1/2W, AB, TP, 2.4X6
	R522	2001-000037	31018-377-331	R-CARBON(S)	330OHM, 5%, 1/2W, AA, TP, 2.4X
△	R523	2003-000713	A1004-0428	R-METAL OXIDE(S)	47OHM, 5%, 2W, AD, TP, 4X12MM
△	R524	31028-328-472		R-COMPOSITION	RC 1/2T 4.7K-K/ERC-12GL 4
△	R525	A1010-0061		R-FUSIBLE	RF 2 RT 010-J
	R526	2001-000281	31018-177-101	R-CARBON	100OHM, 5%, 1/8W, AA, TP, 1.8X
△	V999	33359-063-650		SOCKET-CRT	DHE-A90-700
				ASSY-H/S,TR	
△	IC501	*3Y84-70048-010 32119-110-111		ASSY-H/S,TR IC	33013-0137-000 TDA6101Q S TDA6101Q ZIP
				ASSY-H/S,TR	
△	IC502	*3Y84-70048-010 32119-110-111		ASSY-H/S,TR IC	33013-0137-000 TDA6101Q S TDA6101Q ZIP

Loc No	New Code No	Old Code No	Description	Specification	Remarks
			ASSY-H/S,TR		
△ IC503	+3Y84-70048-010 32119-110-111		ASSY-H/S,TR IC	33013-0137-000 TDA6101Q S TDA6101Q ZIP	
			ASSY-PCB A/V		
	+AA97-90003N		ASSY-PCB A/V	-,TXE25,2749,KCT52A,-,-,S	
PCB	AA41-10329A	36029-0369-000	PCB-F/AV	KV2,1,FR-1,245X245X1.6T	BARE PCB
CE60	2401-000480	31607-402-250	C-AL	10UF,20%,50V,GP,5X11MM,5M	
CE61	2401-000480	31607-402-250	C-AL	10UF,20%,50V,GP,5X11MM,5M	
CN602B	AA39-20069D	36434-0009-040	LEAD-CONNECTOR,ASSY	-,YBNH025-05,67096-005,5P	
CN701B	AA39-20112D	36434-0089-030	LEAD-CONNECTOR,ASSY	-,YBNH025-09,67096-009,9P	
JB01	A3040-0201		JACK-RCA,BLOCK	PI3.6 V-F3 3P S/W	
JE60	3722-000143	33339-521-070	JACK-PHONE	1P,3.4MM,-,MBAG	
RE60	2001-001077	31018-377-151	R-CARBON(S)	150OHM,5%,1/2W,AA,TP,2.4X	
RE61	2001-001077	31018-377-151	R-CARBON(S)	150OHM,5%,1/2W,AA,TP,2.4X	
			REMOCON		
	+AA59-10073B		REMOCON	DP,TM48,-,-,AA59-10032G,-	
			ASSY-CABINET		
	+AA92-30094C		ASSY-CABINET,FRONT	TXE2545/UCX	
CRT+CF	37124-100-830		SCREW-CRT	RH5X35 FE FZY	
CB+CF	37148-540-153		SCREW-TAP,RH	2S-4X15 FE FZB	
CB+RCA	37148-540-153		SCREW-TAP,RH	2S-4X15 FE FZB	
KC+CF	37148-540-153		SCREW-TAP,RH	2S-4X15 FE FZB	
PMC+CF	37148-540-153		SCREW-TAP,RH	2S-4X15 FE FZB	
SPK+CF	37148-540-153		SCREW-TAP,RH	2S-4X15 FE FZB	
PA+CF	AA60-10002A	37144-001-210	SCREW-TAPPING	-,RH,+ ,M4,L12,ZPC(YEL) OD	
HOLD/C	AA61-20044A	33322-1027-000	HOLDER-CLAMPER	-,NYLON-66,V0,NTR,-,-	
STOP	AA61-40053A	33383-0004-000	STOPPER-PCB	-,HIPS,HB,-,WHT,ALL MODEL	
SPRG/CS	AA61-60003E	36674-137-820	SPRING-CS	-,SUS304,PI0.5,-,-,-	
FLET/S	AA63-60001Q	36844-112-360	SPACER-FELT	-,FELT,TO.35,-,150X8,-	
SPAC/G	AA63-60004L	37333-101-420	SPACER-GUM,CRT	-,NTR RUBBER,T3.0,GRY,NEW	
KNOPOW	AA64-10345A	34083-0248-000	KNOB-POWER	-,ABS,HB,BLK,-,6345,46	
KNOCONT	AA64-10346A	34083-0249-000	KNOB-CONTROL	-,ABS,HB,BLK,-,6345,46	
FRONT/C	AA64-30661A	32001-0176-000	CABINET-FRONT	-,HIPS,V0,-,BLK,PA100 KP2	
BACK/C	AA64-30663A	32001-0177-000	CABINET-BACK	-,HIPS,V0,-,BLK,-,6845/46	
WIN/RE	AA64-40242A	34073-0110-000	WINDOW-REMOCON	-,PC,-,-,-,6345,46,-	
IND/LED	AA64-40248A	34163-0063-000	INDICATOR-LED	-,ACRYL,HB,-,-,6345,46,-	
I-BACK	AA64-60052B	34012-0207-020	INLAY-BACK	-,PS,TO.5,-,BLK,KP-2 USA,	
I-AV	AA64-60278B	34013-0294-010	INLAY-AV	-,PS,TO.3,-,BLK,NTSC,-	
BADGE	AA64-70010A	34533-0074-000	BADGE-BRAND	-,AL,-,L50,SILVER,FLAT SS	
C/CORD	AA65-30008A	36633-101-610	CLAMP-CORD	-,PE,HB,BLK,-,-	
C/WIRE	AA65-30010A	36634-111-010	CLAMP-WIRE	-,NYLON-66,V0,NTR,-,-	

### 6-3-2.TXE2545 and TXE2546 Disimilar Parts

Loc No	New Code No	Old Code No	Description	Specification	Remarks
			ASSY-PCB,MAIN(COM)		
	+AA97-10031M		ASSY-PCB,MAIN(COM)	TXE2546/UCX,KCT52A,SEA,NO	

Loc No	New Code No	Old Code No	Description	Specification	Remarks
			REMOCON		
	*AA59-10030F		REMOCON	-, TM49, RM292EV, 40, WHT, SS	
			ASSY-CABINET		
	*AA92-30094B		ASSY-CABINET, FRONT	TXE2546/UCX	
G/WOO, R	AA63-50190A		GRILLE-WOOFER, R	-, SECC, -, TO.5, -, PA110 P10	
G/WOO, L	AA63-50190B		GRILLE-WOOFER, L	-, SECC, -, TO.5, -, PA110 P10	
			ASSY-ACCESSORY		
USER/M	AA68-10756A		MANUAL-USERS	WP100, -, -, ENG, UNIV, KCT51A	

### 6-3-3. TXE2545 and TXE2549 Disimilar Parts

Loc No	New Code No	Old Code No	Description	Specification	Remarks
			ASSY-PCB, MAIN(COM)		
	*AA97-10031P		ASSY-PCB, MAIN(COM)	TXE2549/UCX, KCT52A, SEA, PI	
CNK01*	33347-114-810		POST-HEADER	YW025-04(AUTO)	
CNK02*	33347-110-150		POST-HEADER	67094-008 (AUTO)	
CNK03*	33347-110-110		POST-HEADER	67094-009 (AUTO)	
H/CORD	AA61-20045A		HOLDER-CORD	-, PP, V0, BLK, DO, -	
QU04*	32137-301-720		TRANSISTOR	KSC 815-Y(TAPG)/YTAM	
RP01*	2001-000281		R-CARBON	100OHM, 5%, 1/8W, AA, TP, 1.8X	
RP02*	2001-000281		R-CARBON	100OHM, 5%, 1/8W, AA, TP, 1.8X	
RU04*	2001-000007		R-CARBON	3KOHM, 5%, 1/8W, AA, TP, 1.8X3	
RU05*	2001-000007		R-CARBON	3KOHM, 5%, 1/8W, AA, TP, 1.8X3	
RU06	2001-000007		R-CARBON	3KOHM, 5%, 1/8W, AA, TP, 1.8X3	
RU14*	2001-000221		R-CARBON	1.2KOHM, 5%, 1/8W, AA, TP, 1.8	
RU15*	2001-000221		R-CARBON	1.2KOHM, 5%, 1/8W, AA, TP, 1.8	
RU16*	2001-000221		R-CARBON	1.2KOHM, 5%, 1/8W, AA, TP, 1.8	
RU19	2001-000429		R-CARBON	1KOHM, 5%, 1/8W, AA, TP, 1.8X3	
US0078	34503-0100-000		STICKER-RATING	TETRAONE PAPER 90(G) ALL	
			ASSY-PCB PIP		
	*AA97-90003D		ASSY-PCB PIP	DP, CT6846, KCT52A, SEA/SECA	
PCB	36029-0578-000		P.C.B-PIP	T1.6 W74 L99 P67/KCT52A F	BARE PCB
CKP401	2401-000480		C-AL	10UF, 20%, 50V, GP, 5X11MM, 5M	
CKP402	2401-000480		C-AL	10UF, 20%, 50V, GP, 5X11MM, 5M	
CKP403	2401-000302		C-AL	100UF, 20%, 25V, GP, 6X11MM, 5	
CKP404	2401-000480		C-AL	10UF, 20%, 50V, GP, 5X11MM, 5M	
CKP405	2401-000480		C-AL	10UF, 20%, 50V, GP, 5X11MM, 5M	
CKP801	2401-001101		C-AL	330UF, 20%, 16V, GP, 8X12MM, 5	
CNK01	AA39-20052A		LEAD-CONNECTOR, ASSY	-, YBNH025-04, YSH025-04, 4P	
CNK02	AA39-20107C		LEAD CONNECTOR-ASSY	-, YBNH250-04, YSH025-04, 4,	
CNK03	AA39-20112E		LEAD-CONNECTOR, ASSY	-, YBNH025-09, 67096-009, 9P	
CNK04	AA39-20468C		LEAD CONNECTOR-ASSY	-, YBNH250-03, 67096-003, 3,	
CNK05	AA39-20107C		LEAD CONNECTOR-ASSY	-, YBNH250-04, YSH025-04, 4,	
CNK05	AA39-20468C		LEAD CONNECTOR-ASSY	-, YBNH250-03, 67096-003, 3,	
CP101	2306-000122		C-FILM, MPPF	100NF, 5%, 50V, 7.3X4.0X5.0MM	
CP105	2301-000246		C-FILM, PEF	33NF, 5%, 100V, 7X5.0X9.5MM,	

Loc No	New Code No	Old Code No.	Description	Specification	Remarks
CP106	2301-000232		C-FILM,PEF	3.3NF,5%,50V,8.1X4.5X13MM	
CP107	2306-000122		C-FILM,MPPF	100NF,5%,50V,7.3X4.0X5.0M	
CP108	2306-000122		C-FILM,MPPF	100NF,5%,50V,7.3X4.0X5.0M	
CP109	2301-000232		C-FILM,PEF	3.3NF,5%,50V,8.1X4.5X13MM	
CP112	2305-000411		C-FILM,MPEF	470NF,5%,50V,7.3X4.8X5.5M	
CP113	2306-000122		C-FILM,MPPF	100NF,5%,50V,7.3X4.0X5.0M	
CP114	31607-402-090		C-ELECTROLYTIC	CE04W TAPG 35V 47M-M	
CP115	2306-000122		C-FILM,MPPF	100NF,5%,50V,7.3X4.0X5.0M	
CP205	2401-000587		C-AL	1UF,20%,50V,BP,6X11MM,5MM	
CP207	2401-000603		C-AL	1UF,20%,50V,GP,5X11MM,5MM	
CP208	2401-000603		C-AL	1UF,20%,50V,GP,5X11MM,5MM	
CP209	2401-000603		C-AL	1UF,20%,50V,GP,5X11MM,5MM	
CP210	2401-000603		C-AL	1UF,20%,50V,GP,5X11MM,5MM	
CP214	2401-001495		C-AL	47UF,20%,16V,GP,5X11MM,5M	
CP216	2401-001495		C-AL	47UF,20%,16V,GP,5X11MM,5M	
CP303	2401-001495		C-AL	47UF,20%,16V,GP,5X11MM,5M	
CP308	2401-001495		C-AL	47UF,20%,16V,GP,5X11MM,5M	
CP311	2401-001495		C-AL	47UF,20%,16V,GP,5X11MM,5M	
DP301	32167-406-480		DIODE	1N4148 TAPG	
DP302	32167-406-480		DIODE	1N4148 TAPG	
DP303	32167-406-480		DIODE	1N4148 TAPG	
DP304	32167-406-480		DIODE	1N4148 TAPG	
DZ101	0403-000563		DIODE-ZENER	MTZ9.1B,9.1V,8.57-9.01V,5	
DZK801	32167-406-080		DIODE-ZENER	MTZ 5.1B	
H/PCB	AA61-20162A		HOLDER-PCB	-,HIPS,VO,BLK,-,6345,6845	
ICK401	32119-101-870		IC	LA 7952	
ICP101	32119-110-091		IC	TDA9160A	
ICP201	1002-000206		IC-A/D CONVERTER	SDA9187-2X,6BIT,SOP,28P,3	
ICP301	1204-000438		IC-PICTURE PROCESS	SDA9188-3X,SOP,28P,350MIL	
JP17	2001-000745		R-CARBON	4.7OHM,5%,1/8W,AA,TP,1.8X	
LP201	2701-000197		INDUCTOR-AXIAL	5.6UH,10%,2.5X3.4MM	
LP202	2701-000114		INDUCTOR-AXIAL	10UH,10%,2.5X3.4MM	
LP301	2701-000197		INDUCTOR-AXIAL	5.6UH,10%,2.5X3.4MM	
LP302	2701-000114		INDUCTOR-AXIAL	10UH,10%,2.5X3.4MM	
LP303	2701-000114		INDUCTOR-AXIAL	10UH,10%,2.5X3.4MM	
QKP401	0501-000340		TR-SMALL SIGNAL	KSC1623,NPN,60V,50V,100MA	
QKP402	0501-000340		TR-SMALL SIGNAL	KSC1623,NPN,60V,50V,100MA	
QKP403	0501-000340		TR-SMALL SIGNAL	KSC1623,NPN,60V,50V,100MA	
QKP404	0501-000340		TR-SMALL SIGNAL	KSC1623,NPN,60V,50V,100MA	
QP120	0501-000280		TR-SMALL SIGNAL	KSA1182,PNP,-35V,-30V,-50	
QP201	0501-000340		TR-SMALL SIGNAL	KSC1623,NPN,60V,50V,100MA	
QP202	0501-000340		TR-SMALL SIGNAL	KSC1623,NPN,60V,50V,100MA	
QP203	0501-000340		TR-SMALL SIGNAL	KSC1623,NPN,60V,50V,100MA	
QP204	0501-000280		TR-SMALL SIGNAL	KSA1182,PNP,-35V,-30V,-50	
QP301	0501-000340		TR-SMALL SIGNAL	KSC1623,NPN,60V,50V,100MA	
QP302	0501-000280		TR-SMALL SIGNAL	KSA1182,PNP,-35V,-30V,-50	
QP303	0501-000280		TR-SMALL SIGNAL	KSA1182,PNP,-35V,-30V,-50	
QP304	0501-000280		TR-SMALL SIGNAL	KSA1182,PNP,-35V,-30V,-50	
RKP801	2001-000109		R-CARBON(S)	470OHM,5%,1/2W,AA,TP,2.4X	
RKP802	2003-000532		R-METAL OXIDE(S)	18OHM,5%,2W,AD,TP,4X12MM	
RP111	2001-000780		R-CARBON	470OHM,5%,1/8W,AA,TP,1.8X	
RP116	2001-000449		R-CARBON	2.2KOHM,5%,1/8W,AA,TP,1.8	
RP202	2001-001077		R-CARBON(S)	150OHM,5%,1/2W,AA,TP,2.4X	
RP301	2001-000281		R-CARBON	100OHM,5%,1/8W,AA,TP,1.8X	
RP302	2001-000281		R-CARBON	100OHM,5%,1/8W,AA,TP,1.8X	
SCREW	37154-101-213		SCREW-WASHER,SPEC	2S-3X10 FE FZB	
XP103	2801-000229		CRYSTAL-UNIT	3.579545MHZ,30PPM,28-AAM,	
XP301	2802-000121		RESONATOR-CERAMIC	20.48MHZ,0.5%,TP,10.0X5.0	

ASSY-ACCESSORY

USER/M AA68-10756A

MANUAL-USERS

WP100,-,-,ENG,UNIV,KCT51A



Loc No.	New Code No.	Old Code No.	Description	Specification	Remarks
			REMOCON		
	•AA59-10030F		REMOCON	- , TM49, FM292EV, 40, WHT, SS	
			ASSY-CABINET		
	•AA92-30094B		ASSY-CABINET, FRONT	TXE2546/UCX	
G/WOO,R	AA63-50190A		GRILLE-WOOFER,R	- , SECC, -, T0.5, -, PA110 P10	
G/WOO,L	AA63-50190B		GRILLE-WOOFER,L	- , SECC, -, T0.5, -, PA110 P10	
			ASSY-ACCESSORY		
USER/M	AA68-10756A		MANUAL-USERS	WP100, -, -, ENG, UNIV, KCT51A	

### 6-3-3.TXE2545 and TXE2549 Disimilar Parts

Loc No.	New Code No.	Old Code No.	Description	Specification	Remarks
			ASSY-PCB,MAIN(COM)		
	•AA97-10031P		ASSY-PCB,MAIN(COM)	TXE2549/UCX, KCT52A, SEA, PI	
CNK01•	33347-114-810		POST-HEADER	YW025-04(AUTO)	
CNK02•	33347-110-150		POST-HEADER	67094-008 (AUTO)	
CNK03•	33347-110-110		POST-HEADER	67094-009 (AUTO)	
H/CORD	AA61-20045A		HOLDER-CORD	- , PP, V0, BLK, DO, -	
QU04•	32137-301-720		TRANSISTOR	KSC 815-Y(TAPG)/YTAM	
RP01•	2001-000281		R-CARBON	100OHM, 5%, 1/8W, AA, TP, 1.8X	
RP02•	2001-000281		R-CARBON	100OHM, 5%, 1/8W, AA, TP, 1.8X	
RU04•	2001-000007		R-CARBON	3KOHM, 5%, 1/8W, AA, TP, 1.8X3	
RU05•	2001-000007		R-CARBON	3KOHM, 5%, 1/8W, AA, TP, 1.8X3	
RU06	2001-000007		R-CARBON	3KOHM, 5%, 1/8W, AA, TP, 1.8X3	
RU14•	2001-000221		R-CARBON	1.2KOHM, 5%, 1/8W, AA, TP, 1.8	
RU15•	2001-000221		R-CARBON	1.2KOHM, 5%, 1/8W, AA, TP, 1.8	
RU16•	2001-000221		R-CARBON	1.2KOHM, 5%, 1/8W, AA, TP, 1.8	
RU19	2001-000429		R-CARBON	1KOHM, 5%, 1/8W, AA, TP, 1.8X3	
US0078	34503-0100-000		STICKER-RATING	TETRAONE PAPER 90(G) ALL	
			ASSY-PCB PIP		
	•AA97-90003D		ASSY-PCB PIP	DP, CT6846, KCT52A, SEA/SECA	
PCB	36029-0578-000		P.C.B-PIP	T1.6 W74 L99 P67/KCT52A F	BARE PCB
CKP401	2401-000480		C-AL	10UF, 20%, 50V, GP, 5X11MM, 5M	
CKP402	2401-000480		C-AL	10UF, 20%, 50V, GP, 5X11MM, 5M	
CKP403	2401-000302		C-AL	100UF, 20%, 25V, GP, 6X11MM, 5	
CKP404	2401-000480		C-AL	10UF, 20%, 50V, GP, 5X11MM, 5M	
CKP405	2401-000480		C-AL	10UF, 20%, 50V, GP, 5X11MM, 5M	
CKP801	2401-001101		C-AL	330UF, 20%, 16V, GP, 8X12MM, 5	
CNK01	AA39-20052A		LEAD-CONNECTOR, ASSY	- , YBNH025-04, YSH025-04, 4P	
CNK02	AA39-20107C		LEAD CONNECTOR-ASSY	- , YBNH250-04, YSH025-04, 4,	
CNK03	AA39-20112E		LEAD-CONNECTOR, ASSY	- , YBNH025-09, 67096-009, 9P	
CNK04	AA39-20468C		LEAD CONNECTOR-ASSY	- , YBNH250-03, 67096-003, 3,	
CNK05	AA39-20107C		LEAD CONNECTOR-ASSY	- , YBNH250-04, YSH025-04, 4,	
CNK05	AA39-20468C		LEAD CONNECTOR-ASSY	- , YBNH250-03, 67096-003, 3,	
CP101	2306-000122		C-FILM, MPPF	100NF, 5%, 50V, 7.3X4.0X5.0M	
CP105	2301-000246		C-FILM, PEF	33NF, 5%, 100V, 7X5.0X9.5MM,	

Loc No	New Code No	Old Code No	Description	Specification	Remarks
CP106	2301-000232		C-FILM,PEF	3.3NF,5%,50V,8.1X4.5X13MM	
CP107	2306-000122		C-FILM,MPPF	100NF,5%,50V,7.3X4.0X5.0M	
CP108	2306-000122		C-FILM,MPPF	100NF,5%,50V,7.3X4.0X5.0M	
CP109	2301-000232		C-FILM,PEF	3.3NF,5%,50V,8.1X4.5X13MM	
CP112	2305-000411		C-FILM,MPEF	470NF,5%,50V,7.3X4.8X5.5M	
CP113	2306-000122		C-FILM,MPPF	100NF,5%,50V,7.3X4.0X5.0M	
CP114	31607-402-090		C-ELECTROLYTIC	CE04W TAPG 35V 47M-M	
CP115	2306-000122		C-FILM,MPPF	100NF,5%,50V,7.3X4.0X5.0M	
CP205	2401-000587		C-AL	1UF,20%,50V,BP,6X11MM,5MM	
CP207	2401-000603		C-AL	1UF,20%,50V,GP,5X11MM,5MM	
CP208	2401-000603		C-AL	1UF,20%,50V,GP,5X11MM,5MM	
CP209	2401-000603		C-AL	1UF,20%,50V,GP,5X11MM,5MM	
CP210	2401-000603		C-AL	1UF,20%,50V,GP,5X11MM,5MM	
CP214	2401-001495		C-AL	47UF,20%,16V,GP,5X11MM,5M	
CP216	2401-001495		C-AL	47UF,20%,16V,GP,5X11MM,5M	
CP303	2401-001495		C-AL	47UF,20%,16V,GP,5X11MM,5M	
CP308	2401-001495		C-AL	47UF,20%,16V,GP,5X11MM,5M	
CP311	2401-001495		C-AL	47UF,20%,16V,GP,5X11MM,5M	
DP301	32167-406-480		DIODE	1N4148 TAPG	
DP302	32167-406-480		DIODE	1N4148 TAPG	
DP303	32167-406-480		DIODE	1N4148 TAPG	
DP304	32167-406-480		DIODE	1N4148 TAPG	
DZ101	0403-000563		DIODE-ZENER	MTZ9.1B,9.1V,8.57-9.01V,5	
DZK801	32167-406-080		DIODE-ZENER	MTZ 5.1B	
H/PCB	AA61-20162A		HOLDER-PCB	-,HIPS,V0,BLK,-,6345,6845	
ICK401	32119-101-870		IC	LA 7952	
ICP101	32119-110-091		IC	TDA9160A	
ICP201	1002-000206		IC-A/D CONVERTER	SDA9187-2X,6BIT,SOP,28P,3	
ICP301	1204-000438		IC-PICTURE PROCESS	SDA9188-3X,SOP,28P,350MIL	
JP17	2001-000745		R-CARBON	4.7OHM,5%,1/8W,AA,TP,1.8X	
LP201	2701-000197		INDUCTOR-AXIAL	5.6UH,10%,2.5X3.4MM	
LP202	2701-000114		INDUCTOR-AXIAL	10UH,10%,2.5X3.4MM	
LP301	2701-000197		INDUCTOR-AXIAL	5.6UH,10%,2.5X3.4MM	
LP302	2701-000114		INDUCTOR-AXIAL	10UH,10%,2.5X3.4MM	
LP303	2701-000114		INDUCTOR-AXIAL	10UH,10%,2.5X3.4MM	
QKP401	0501-000340		TR-SMALL SIGNAL	KSC1623,NPN,60V,50V,100MA	
QKP402	0501-000340		TR-SMALL SIGNAL	KSC1623,NPN,60V,50V,100MA	
QKP403	0501-000340		TR-SMALL SIGNAL	KSC1623,NPN,60V,50V,100MA	
QKP404	0501-000340		TR-SMALL SIGNAL	KSC1623,NPN,60V,50V,100MA	
QP120	0501-000280		TR-SMALL SIGNAL	KSA1182,PNP,-35V,-30V,-50	
QP201	0501-000340		TR-SMALL SIGNAL	KSC1623,NPN,60V,50V,100MA	
QP202	0501-000340		TR-SMALL SIGNAL	KSC1623,NPN,60V,50V,100MA	
QP203	0501-000340		TR-SMALL SIGNAL	KSC1623,NPN,60V,50V,100MA	
QP204	0501-000280		TR-SMALL SIGNAL	KSA1182,PNP,-35V,-30V,-50	
QP301	0501-000340		TR-SMALL SIGNAL	KSC1623,NPN,60V,50V,100MA	
QP302	0501-000280		TR-SMALL SIGNAL	KSA1182,PNP,-35V,-30V,-50	
QP303	0501-000280		TR-SMALL SIGNAL	KSA1182,PNP,-35V,-30V,-50	
QP304	0501-000280		TR-SMALL SIGNAL	KSA1182,PNP,-35V,-30V,-50	
RKP801	2001-000109		R-CARBON(S)	470OHM,5%,1/2W,AA,TP,2.4X	
RKP802	2003-000532		R-METAL OXIDE(S)	180OHM,5%,2W,AD,TP,4X12MM	
RP111	2001-000780		R-CARBON	470OHM,5%,1/8W,AA,TP,1.8X	
RP116	2001-000449		R-CARBON	2.2KOHM,5%,1/8W,AA,TP,1.8	
RP202	2001-001077		R-CARBON(S)	150OHM,5%,1/2W,AA,TP,2.4X	
RP301	2001-000281		R-CARBON	100OHM,5%,1/8W,AA,TP,1.8X	
RP302	2001-000281		R-CARBON	100OHM,5%,1/8W,AA,TP,1.8X	
SCREW	37154-101-213		SCREW-WASHER,SPEC	2S-3X10 FE FZB	
XP103	2801-000229		CRYSTAL-UNIT	3.579545MHZ,30PPM,28-AAM,	
XP301	2802-000121		RESONATOR-CERAMIC	20.48MHZ,0.5%,TP,10.0X5.0	

ASSY-ACCESSORY

USER/M AA68-10756A

MANUAL-USERS

WP100,-,-,ENG,UNIV,KCT51A

Loc No	New Code No	Old Code No	Description	Specification	Remarks
--------	-------------	-------------	-------------	---------------	---------

REMOCON

\*AA59-10030G

REMOCON

-, TM49, FM292EV, 46, WHT, SS

ASSY-CABINET

\*AA92-30094D

ASSY-CABINET, FRONT

TXE2549/UCX

AA63-50190A

GRILLE-WOOFER, R

-, SECC, -, T0.5, -, PA110 P10

AA63-50190B

GRILLE-WOOFER, L

-, SECC, -, T0.5, -, PA110 P10

Loc No.	New Code No.	Old Code No.	Description	Specification	Remarks
C240	2301-000223	31507-137-016	C-FILM,PEF	22NF,5%,100V,7.2X4.5X9.0M	
C241	2201-000397	31417-055-240	C-CERAMIC,DISC	24PF,5%,50V,NPO,5.0X3.0,2	
C242	2401-000480	31607-402-250	C-AL	10UF,20%,50V,GP,5X11MM,5M	
C244	2401-000480	31607-402-250	C-AL	10UF,20%,50V,GP,5X11MM,5M	
C251	2401-000480	31607-402-250	C-AL	10UF,20%,50V,GP,5X11MM,5M	
C252	2401-000405	31607-803-120	C-AL	10UF,20%,16V,BP,6X11MM,5M	
C253	2401-001495	31607-401-460	C-AL	47UF,20%,16V,GP,5X11MM,5M	
C301	2202-000121	A1100-0798	C-CERAMIC,MLC-AXIAL	100PF,10%,50V,Y5P,1.9X3.5	
C302	A1102-0303		C-FILM	CF 922 N 100V T 154-J -40	
C304	2301-000125	31507-121-920	C-FILM,PEF	100NF,20%,100V,14.5X5.7X8	
C305	2202-000173	A1100-0338	C-CERAMIC,MLC-AXIAL	1NF,10%,50V,Y5P,1.9X3.5MM	
C306	2401-001397	A1104-0012	C-AL	470UF,20%,25V,GP,10X16MM,	
C307	2401-001569	A1104-0512	C-AL	47UF,20%,50V,BP,10X12.5MM	
C308	2201-000108	31417-901-680	C-CERAMIC,DISC	1.5NF,10%,1KV,Y5P,-,5MM,T	
△ C401•	2301-000148	31507-137-013	C-FILM,PEF	10NF,5%,100V,7X3.2X7MM,5M	
△ C402•	A1102-0208		C-FILM	CF 922 P 1.6KV T 742-J BU	
△ C404•	2306-000231	31518-333-514	C-FILM,MPPF	510NF,5%,250V,-,22.5MM,	
C405•	31517-390-502		C-M,POLYESTER	CFS922M TAPG 250V 104-J	
C406	2201-000556	31417-106-090	C-CERAMIC,DISC	470PF,10%,500V,Y5P,6X3.5M	
△ C407	2401-001397	A1104-0012	C-AL	470UF,20%,25V,GP,10X16MM,	
C408	2201-000556	31417-106-090	C-CERAMIC,DISC	470PF,10%,500V,Y5P,6X3.5M	
△ C409	2401-001662	31607-403-070	C-AL	68UF,20%,100V,GP,10X16MM,	
C411	2201-000556	31417-106-090	C-CERAMIC,DISC	470PF,10%,500V,Y5P,6X3.5M	
C412	2401-000927	31607-403-500	C-AL	22UF,20%,250V,GP,13X20MM,	
C413	2401-000302	31607-401-680	C-AL	100UF,20%,25V,GP,6X11MM,5	
C414	2201-000639	31417-901-410	C-CERAMIC,DISC	680PF,10%,2KV,Y5P,-,5MM,T	
△ C415	A1102-0372		C-FILM	VEND: σ 2   ☒ CQ 922 P 63	
C417	2201-000599	31417-468-561	C-CERAMIC,DISC	560PF,10%,500V,Y5P,6X4MM,	
△ C418	2401-001570	31607-402-470	C-AL	47UF,20%,50V,GP,10X20MM,5	
△ C419•	A1102-0203		C-FILM	CF 922 P 1.6KV T 472-J BU	
C601•	2202-000295	A1100-0797	C-CERAMIC,MLC-AXIAL	68PF,5%,50V,SL,3.5X19MM,-	
C603	2306-000122	B1102-0318	C-FILM,MPPF	100NF,5%,50V,7.3X4.0X5.0M	
C604	2301-000198	31507-137-005	C-FILM,PEF	2.2NF,5%,100V,10.5X12.5X6	
C605	2301-000223	31507-137-016	C-FILM,PEF	22NF,5%,100V,7.2X4.5X9.0M	
C606	2301-000223	31507-137-016	C-FILM,PEF	22NF,5%,100V,7.2X4.5X9.0M	
C607	2301-000192	31507-127-000	C-FILM,PEF	1NF,5%,50V,5.3X10MM,5MM,T	
C608	2301-000301	31507-127-017	C-FILM,PEF	6.8NF,5%,50V,6.5X5.5X3.0X	
C609	2306-000122	B1102-0318	C-FILM,MPPF	100NF,5%,50V,7.3X4.0X5.0M	
C610	2301-000301	31507-127-017	C-FILM,PEF	6.8NF,5%,50V,6.5X5.5X3.0X	
C611	2306-000122	B1102-0318	C-FILM,MPPF	100NF,5%,50V,7.3X4.0X5.0M	
C612	2401-000587	31607-803-280	C-AL	1UF,20%,50V,BP,6X11MM,5MM	
C613	2401-000587	31607-803-280	C-AL	1UF,20%,50V,BP,6X11MM,5MM	
C614	2401-001397	A1104-0012	C-AL	470UF,20%,25V,GP,10X16MM,	
C615	2301-000320	31507-127-021	C-FILM,PEF	82NF,5%,50V,8.0X4.5X8.5MM	
C616	2201-000642	31417-104-270	C-CERAMIC,DISC	680PF,10%,50V,Y5P,4.0X4.0	
C617	2401-000480	31607-402-250	C-AL	10UF,20%,50V,GP,5X11MM,5M	
C618	2401-000480	31607-402-250	C-AL	10UF,20%,50V,GP,5X11MM,5M	
C619	2401-000947	31607-402-070	C-AL	22UF,20%,35V,GP,5X11MM,-,	
C620	2401-000947	31607-402-070	C-AL	22UF,20%,35V,GP,5X11MM,-,	
C623	2401-001026	31607-402-230	C-AL	3.3UF,20%,50V,GP,5X11MM,5	
C624	2401-001026	31607-402-230	C-AL	3.3UF,20%,50V,GP,5X11MM,5	
C625•	2201-000673	31417-104-170	C-CERAMIC,DISC	820PF,10%,50V,Y5P,4X3.5MM	
C626•	2201-000673	31417-104-170	C-CERAMIC,DISC	820PF,10%,50V,Y5P,4X3.5MM	
C627	2401-000706	31607-401-770	C-AL	2200UF,20%,25V,GP,16X25MM	
C632	2401-000480	31607-402-250	C-AL	10UF,20%,50V,GP,5X11MM,5M	
C633	2401-000480	31607-402-250	C-AL	10UF,20%,50V,GP,5X11MM,5M	
C634	31607-402-200		C-ELECTROLYTIC	CE04W TAPG 50V 0.47M	
C637	2301-000192	31507-127-000	C-FILM,PEF	1NF,5%,50V,5.3X10MM,5MM,T	
C701	2401-000269	31607-401-470	C-AL	100UF,20%,16V,GP,6X11MM,5	
C702	2401-000480	31607-402-250	C-AL	10UF,20%,50V,GP,5X11MM,5M	
C703	2401-000480	31607-402-250	C-AL	10UF,20%,50V,GP,5X11MM,5M	
C704	2401-000480	31607-402-250	C-AL	10UF,20%,50V,GP,5X11MM,5M	

Loc No	New Code No	Old Code No	Description	Specification	Remarks
C707	2401-000480	31607-402-250	C-AL	10UF, 20%, 50V, GP, 5X11MM, 5M	
C708	2401-000480	31607-402-250	C-AL	10UF, 20%, 50V, GP, 5X11MM, 5M	
C709	2401-000480	31607-402-250	C-AL	10UF, 20%, 50V, GP, 5X11MM, 5M	
C710	2401-000480	31607-402-250	C-AL	10UF, 20%, 50V, GP, 5X11MM, 5M	
C711	2306-000122	B1102-0318	C-FILM, MPPF	100NF, 5%, 50V, 7.3X4.0X5.0MM	
C712*	31607-401-500		C-ELECTROLYTIC	CE04W TAPG 16V 470M-M(SG)	
△ C801*	2401-001386	31609-979-001	C-AL	470UF, 20%, 250V, GP, 22X50MM	
△ C802	31467-102-010		C-CERAMIC, AC	CK45P TAPG E250V 222-M(T2)	
△ C803	31467-102-010		C-CERAMIC, AC	CK45P TAPG E250V 222-M(T2)	
△ C804*	31469-504-060		C-CERAMIC, AC	ECK-DNS472MEX/E400V 472(T	
△ C805	31417-901-400		C-CERAMIC, HIC	CK45(T) B2KV 561-K	
C806	2401-001105	A1104-0526	C-AL	330UF, 20%, 200V, GP, 22X35MM	
C807	2201-000599	31417-468-561	C-CERAMIC, DISC	560PF, 10%, 500V, Y5P, 6X4MM,	
△ C808	A1104-0740		C-ELEC	CE 04 -55/105 25V T 471-M	
△ C809	2401-000287	A1104-0368	C-AL	100UF, 20%, 16V, WT, 6X11MM, 5	
C810	2401-000611	A1104-0524	C-AL	1UF, 20%, 50V, WT, 5X11MM, 5MM	
C811	2401-000269	31607-401-470	C-AL	100UF, 20%, 16V, GP, 6X11MM, 5	
△ C812	2401-000287	A1104-0368	C-AL	100UF, 20%, 16V, WT, 6X11MM, 5	
△ C813	2401-001513	A1104-0461	C-AL	47UF, 20%, 16V, WT, 5X11MM, 5M	
△ C814	2305-000283	31569-201-230	C-FILM, MPEF	220NF, 20%, 250V, 32X12.0X18	
C815	31607-403-990		C-ELECTROLYTIC	CE04W TAPG 200V 100M-M(16	
C816	2401-000166	A1104-0534	C-AL	1000UF, 20%, 25V, WT, 13X20MM	
△ C817	2303-000159	31509-391-090	C-FILM, PPF	2.2NF, 5%, 1.6KV, 28X13.5X8,	
△ C818	2401-000493	A1104-0577	C-AL	10UF, 20%, 50V, WT, 5X11MM, 5M	
C819	2201-000599	31417-468-561	C-CERAMIC, DISC	560PF, 10%, 500V, Y5P, 6X4MM,	
C820	2401-000166	A1104-0534	C-AL	1000UF, 20%, 25V, WT, 13X20MM	
△ C821	2301-000192	31507-127-000	C-FILM, PEF	1NF, 5%, 50V, 5.3X10MM, 5MM, T	
C850	2401-000808	31607-401-480	C-AL	220UF, 20%, 16V, GP, 8X11MM, 5	
△ C851	A1104-0770		C-ELEC	CE 04 -40/+105 35V T 471-	
C852*	31607-402-110		C-ELECTROLYTIC	CE04W TAPG 35V 220M-M	
C853	2401-000395	31607-403-210	C-AL	10UF, 20%, 160V, GP, 10X12.5M	
△ C854	2305-000407	A1102-0324	C-FILM, MPEF	470NF, 5%, 100V, -, 5MM, TP	
C855*	2201-000599	31417-468-561	C-CERAMIC, DISC	560PF, 10%, 500V, Y5P, 6X4MM,	
C856*	2401-000901	31607-403-220	C-AL	22UF, 20%, 160V, GP, 10X20MM,	
C861	2401-000240	31607-401-840	C-AL	100UF, 20%, 10V, GP, 6X11MM, 5	
C862	2401-000480	31607-402-250	C-AL	10UF, 20%, 50V, GP, 5X11MM, 5M	
C901	2401-001495	31607-401-460	C-AL	47UF, 20%, 16V, GP, 5X11MM, 5M	
C902	2202-000173	A1100-0338	C-CERAMIC, MLC-AXIAL	1NF, 10%, 50V, Y5P, 1.9X3.5MM	
C903	2401-001495	31607-401-460	C-AL	47UF, 20%, 16V, GP, 5X11MM, 5M	
C904	2202-000173	A1100-0338	C-CERAMIC, MLC-AXIAL	1NF, 10%, 50V, Y5P, 1.9X3.5MM	
C905	31607-402-200		C-ELECTROLYTIC	CE04W TAPG 50V 0.47M	
C906*	2201-000611	31407-105-280	C-CERAMIC, DISC	56PF, 5%, 50V, NPO, 6.3X3MM, 5	
C907	2401-001495	31607-401-460	C-AL	47UF, 20%, 16V, GP, 5X11MM, 5M	
C908	2201-000600	31417-104-560	C-CERAMIC, DISC	560PF, 10%, 50V, Y5P, 4X3.5MM	
C909	2201-000651	31407-105-300	C-CERAMIC, DISC	68PF, 5%, 50V, NPO, 8X3, 5, TP	
C911	2401-000808	31607-401-480	C-AL	220UF, 20%, 16V, GP, 8X11MM, 5	
C912	2301-000380	31507-127-006	C-FILM, PEF	10NF, 5%, 50V, 6.5X3MM, 5MM, T	
C913	2202-000127	A1100-0803	C-CERAMIC, MLC-AXIAL	10NF, +80-20%, 25V, Y5V, -, 7.	
C914	2202-000173	A1100-0338	C-CERAMIC, MLC-AXIAL	1NF, 10%, 50V, Y5P, 1.9X3.5MM	
△ C919	2303-000253	31509-335-040	C-FILM, PPF	47NF, 5%, 200V, 20X17X8.0MM,	
CE01*	2301-000380	31507-127-006	C-FILM, PEF	10NF, 5%, 50V, 6.5X3MM, 5MM, T	
CE03*	2305-000407	A1102-0324	C-FILM, MPEF	470NF, 5%, 100V, -, 5MM, TP	
CFN01*	AA29-10001B	37169-0002-000	FILTER-COMB	-, CFM102, NTSC, -	
CN502*	33347-110-410		POST-HEADER	67094-010(AUTO)	
CN601	33347-114-810		POST-HEADER	YW025-04(AUTO)	
CN602*	33347-108-180		POST-HEADER	67094-005(AUTO)	
CN701*	33347-110-110		POST-HEADER	67094-009(AUTO)	
CN905*	33347-108-180		POST-HEADER	67094-005(AUTO)	
△ CNO01*	AA59-40001U	A1294-0057	MODULE-MTS	-, MZ-200, ZENITH, USA, 54X44	
CNV02*	33347-108-140		POST-HEADER	67094-006(AUTO)	
CP01	2202-000109	A1100-0340	C-CERAMIC, MLC-AXIAL	100NF, +80-20%, 50V, Y5P, 1.9	
CP02	2202-000109	A1100-0340	C-CERAMIC, MLC-AXIAL	100NF, +80-20%, 50V, Y5P, 1.9	

Loc No.	New Code No.	Old Code No.	Description	Specification	Remarks
CP03*	2202-000109	A1100-0340	C-CERAMIC,MLC-AXIAL	100NF,+80-20%,50V,Y5P,1.9	
CJ02*	2202-000109	A1100-0340	C-CERAMIC,MLC-AXIAL	100NF,+80-20%,50V,Y5P,1.9	
CJ04	2401-000480	31607-402-250	C-AL	10UF,20%,50V,GP,5X11MM,5M	
CJ05	2401-000480	31607-402-250	C-AL	10UF,20%,50V,GP,5X11MM,5M	
CJ06	2401-000440	31607-401-430	C-AL	10UF,20%,25V,GP,5X11MM,5M	
CX01*	2401-000480	31607-402-250	C-AL	10UF,20%,50V,GP,5X11MM,5M	
△ D-COIL	AA27-20001W	A1149-0007	COIL-DEGAUSSING	-,25",7.5OHM,33T,L2800,E	
D201	32167-406-480		DIODE	1N4148 TAPG	
D202	0402-000129	32167-201-070	DIODE-RECTIFIER	1N4003,200V,1A,DO-41	
D203	32167-406-480		DIODE	1N4148 TAPG	
D204	32167-406-480		DIODE	1N4148 TAPG	
D205	32167-406-480		DIODE	1N4148 TAPG	
D206	32167-406-480		DIODE	1N4148 TAPG	
D207	32167-406-480		DIODE	1N4148 TAPG	
D208	32167-406-480		DIODE	1N4148 TAPG	
D401	0402-000493	32167-207-120	DIODE-RECTIFIER	1R5GU41,400V,1.5A,DO-15L	
D402	0402-000129	32167-201-070	DIODE-RECTIFIER	1N4003,200V,1A,DO-41	
D403	0402-000129	32167-201-070	DIODE-RECTIFIER	1N4003,200V,1A,DO-41	
△ D404	0402-000540	B4102-0068	DIODE-RECTIFIER	RU20A,600V,1.5A,-	
D405	0402-000546	32167-201-170	DIODE-RECTIFIER	TVR10G,400V,1.0A,DO-41	
D601	32167-406-480		DIODE	1N4148 TAPG	
D701	32167-406-480		DIODE	1N4148 TAPG	
D702	32167-406-480		DIODE	1N4148 TAPG	
△ D801*	B4104-0112		DIODE-RECT	RBV606LFB 600V 6A ST BRID	
D802	32167-406-480		DIODE	1N4148 TAPG	
D804	0402-000213	32167-208-580	DIODE-RECTIFIER	ERB12-06,600V,1.0A,DO-41	
D805	0402-000546	32167-201-170	DIODE-RECTIFIER	TVR10G,400V,1.0A,DO-41	
D806	0402-000546	32167-201-170	DIODE-RECTIFIER	TVR10G,400V,1.0A,DO-41	
D807*	0402-000493	32167-207-120	DIODE-RECTIFIER	1R5GU41,400V,1.5A,DO-15L	
D808	0402-000546	32167-201-170	DIODE-RECTIFIER	TVR10G,400V,1.0A,DO-41	
D813	32167-406-480		DIODE	1N4148 TAPG	
D903	32167-406-480		DIODE	1N4148 TAPG	
D908	32167-406-480		DIODE	1N4148 TAPG	
D910	32167-406-480		DIODE	1N4148 TAPG	
D951	0402-000129	32167-201-070	DIODE-RECTIFIER	1N4003,200V,1A,DO-41	
D962	32167-406-480		DIODE	1N4148 TAPG	
DJ01*	32167-406-480		DIODE	1N4148 TAPG	
DJ02*	32167-406-480		DIODE	1N4148 TAPG	
DJ03*	32167-406-480		DIODE	1N4148 TAPG	
DJ04*	32167-406-480		DIODE	1N4148 TAPG	
DX01*	0402-000546	32167-201-170	DIODE-RECTIFIER	TVR10G,400V,1.0A,DO-41	
DZ101	0403-000700	A4106-0227	DIODE-ZENER	TZP33A,33V,31-35V,1W,DO-4	
△ DZ301	0403-000690	32167-406-140	DIODE-ZENER	MTZ10,10V,9.4-10.6V,500MW	
△ DZ302	0403-000690	32167-406-140	DIODE-ZENER	MTZ10,10V,9.4-10.6V,500MW	
DZ303	0403-000658	32167-406-190	DIODE-ZENER	MTZ18A,18V,16.22-17.06V,5	
DZ305*	0403-000700	A4106-0227	DIODE-ZENER	TZP33A,33V,31-35V,1W,DO-4	
DZ401	0403-000705	A4106-0205	DIODE-ZENER	TZP8.2B,8.2V,8.2-9.3V,1W,	
DZ402	32167-406-080		DIODE-ZENER	MTZ 5.1B	
△ DZ801	1405-000188	32167-401-041	VARIATOR	430V,1250A,14X7.5MM,TP	
△ DZ802	1405-000188	32167-401-041	VARIATOR	430V,1250A,14X7.5MM,TP	
DZ803	0403-000697	A4106-0237	DIODE-ZENER	TZP10A,10V,9.4-10.6V,1W,D	
DZ804	32167-406-080		DIODE-ZENER	MTZ 5.1B	
DZ805	0403-000563	32167-406-130	DIODE-ZENER	MTZ9.1B,9.1V,8.57-9.01V,5	
DZ806	0403-000656	32167-403-780	DIODE-ZENER	MTZ15C,15V,14.35-15.09V,5	
DZ901	32167-406-080		DIODE-ZENER	MTZ 5.1B	
DZ902	32167-401-800		DIODE-ZENER	EQA02-06A/MTZ5.6B(TAPG)	
DZ903	32167-408-080		DIODE-ZENER	EQA02-06D/MTZ6.2B(TAPG)	
DZ904	32167-408-080		DIODE-ZENER	EQA02-06D/MTZ6.2B(TAPG)	
DZ905	32167-408-080		DIODE-ZENER	EQA02-06D/MTZ6.2B(TAPG)	
DZ906	32167-408-080		DIODE-ZENER	EQA02-06D/MTZ6.2B(TAPG)	
DZ907	32167-408-080		DIODE-ZENER	EQA02-06D/MTZ6.2B(TAPG)	
DZ908	32167-408-080		DIODE-ZENER	EQA02-06D/MTZ6.2B(TAPG)	

Loc No	New Code No	Old Code No.	Description	Specification	Remarks
DZE01*	0403-000700	A4106-0227	DIODE-ZENER	TZP33A, 33V, 31-35V, 1W, DO-4	
△ DZX01*	0403-000667	A4106-0128	DIODE-ZENER	MTZ6.8A, 6.8V, 6.29-6.63V, 5	
EL301	AA60-40011B	33104-107-220	EYELET	-, ID2.2, OD3.2, -, -, BSP	EL301-EL859
EL809	AA60-40011A	33104-107-210	EYELET	-, ID2.0, OD2.8, -, -, BST	
EY401	AA60-40011A	33104-107-210	EYELET	-, ID2.0, OD2.8, -, -, BST	EY401-EY858
△ F801*	3601-000144	34709-087-170	FUSE-FERRULE	125V, 4A, SLOW BLOW, GLASS, 5	
F801A	3602-000114	33167-001-001	FUSE-HOLDER	-, -, 30MOHM	
F801B	3602-000114	33167-001-001	FUSE-HOLDER	-, -, 30MOHM	
GT-PIN	33124-111-100		GT-PIN	1P AUTO	GT102-GT806
GT102	AA39-20010B	33054-834-014	LEAD-CONNECTOR, ASSY	-, YFH800-01, S, 1P, 500, 1617	
H/CORD	AA61-20045A	33323-0001-010	HOLDER-CORD	-, PP, V0, BLK, DO, -	
△ HC101*	AA13-20002V	A4010-0087	IC-HYBRID	-, PAP101T, SIP, 6P, PRE AMP	
△ HC801	AA13-20003B	A4010-0094	IC-HYBRID	-, FL001T, SIP, 5P, SMPS CONT	
△ HC802*	AA13-20003A	A4010-0093	IC-HYBRID	-, PCL001T, SIP, 5P, SMPS CON	
△ IC101	1203-000243	A4008-0178	IC-POSITIVE FIXED REG.	7812, TO-220, 3P, -, PLASTIC,	
IC201*	1204-000427	B4012-0609	IC-HOR. / VER. PROCESSOR	TDA8377A, DIP, 56P, -, PLASTIC	
△ IC202	B4012-0360		IC-LINEAR	LA7510 SIP 9P	
△ IC602	B4012-0286		IC-LINEAR	UPC1853CT DIP TV-VIDEO (VR	
IC701	32119-101-730		IC	M51321P	
IC851	0604-000117	32309-024-040	PHOTO-COUPLER	TR, 130-260%, 200MW, DIP-4, S	
IC852*	32119-110-098		IC	SE130N	
△ IC902	B4000-0049		IC-EEPROM	XLS24C02P DIP	
JA701*	A3040-0198		JACK-RCA, BLOCK	PI3.6 V-9B 9P ST ALL S/W	
L-IND	AA68-50064E	38114-700-210	LABEL-INDICATOR	A/P120(S), TO.2, -, -, WHT, UL	
L-SET	AA68-50063K	38114-682-092	LABEL-SET	A/P120, -, L96, W96, -, A68LFG	
L102	2701-000197	32427-904-922	INDUCTOR-AXIAL	5.6UH, 10%, 2.5X3.4MM	
L103	2701-000114	32427-904-924	INDUCTOR-AXIAL	10UH, 10%, 2.5X3.4MM	
L104	2701-000114	32427-904-924	INDUCTOR-AXIAL	10UH, 10%, 2.5X3.4MM	
L201	2701-000114	32427-904-924	INDUCTOR-AXIAL	10UH, 10%, 2.5X3.4MM	
L203	2701-000114	32427-904-924	INDUCTOR-AXIAL	10UH, 10%, 2.5X3.4MM	
L204	2701-000114	32427-904-924	INDUCTOR-AXIAL	10UH, 10%, 2.5X3.4MM	
L205	2701-000114	32427-904-924	INDUCTOR-AXIAL	10UH, 10%, 2.5X3.4MM	
L206	2701-000114	32427-904-924	INDUCTOR-AXIAL	10UH, 10%, 2.5X3.4MM	
L301	2701-000116	32427-805-882	INDUCTOR-AXIAL	10UH, 10%, 4.2X9.8MM	
L304*	AA27-10001E	32427-226-080	COIL-CHOKE	-, 1.0UH, K, 25, 2100A, T, SP04	
L305*	AA27-10001E	32427-226-080	COIL-CHOKE	-, 1.0UH, K, 25, 2100A, T, SP04	
△ L401*	AA27-30001N	A1150-0006	COIL-LINEARITY	-, 30UH, DR1415, P10.12X20, 1	
L602	2701-000116	32427-805-882	INDUCTOR-AXIAL	10UH, 10%, 4.2X9.8MM	
△ L801*	AA29-30001K	32429-633-111	FILTER-LINE	-, 3.0MH, -, -, -	
△ L802	AA29-30001N	32429-633-121	FILTER-LINE	-, 6MH, 2.2A, -, -	
△ L804	A1247-0058		FILTER-EMI BEAD	BFS3550R2FD8G SB 70OHM/10	
L807	3301-000287	34047-019-060	CORE-FERRITE BEAD	AA, 3.5X1.0X6.0MM, 1500, 240	
△ L808	A1247-0058		FILTER-EMI BEAD	BFS3550R2FD8G SB 70OHM/10	
△ L809	AA27-10002Y	B1133-0009	COIL-CHOKE	-, 100UH, K, 10, 700MA, T, 100U	
△ L810	AA27-10002Y	B1133-0009	COIL-CHOKE	-, 100UH, K, 10, 700MA, T, 100U	
L811	B1247-0051		FILTER-EMI BEAD	BL02RN2-R62T4 DB 1.1UH/1M	
△ L812	A1247-0058		FILTER-EMI BEAD	BFS3550R2FD8G SB 70OHM/10	
L862	3301-000287	34047-019-060	CORE-FERRITE BEAD	AA, 3.5X1.0X6.0MM, 1500, 240	
L863	3301-000287	34047-019-060	CORE-FERRITE BEAD	AA, 3.5X1.0X6.0MM, 1500, 240	
L864	3301-000287	34047-019-060	CORE-FERRITE BEAD	AA, 3.5X1.0X6.0MM, 1500, 240	
L865	3301-000287	34047-019-060	CORE-FERRITE BEAD	AA, 3.5X1.0X6.0MM, 1500, 240	
L901	2701-000114	32427-904-924	INDUCTOR-AXIAL	10UH, 10%, 2.5X3.4MM	
L902	2701-000114	32427-904-924	INDUCTOR-AXIAL	10UH, 10%, 2.5X3.4MM	
LK803*	AA29-30001J	32429-633-100	FILTER-LINE	-, 0.5MH, -, -, -	
M/T	31499-009-120		CR-MULTIPLE	MED-C271, R1-2M	
△ NT801	1404-000181	32189-609-381	THERMISTOR-NTC	4.7OHM, 20%, 2900K, -, BK	
△ P801*	1404-000177	32189-609-360	THERMISTOR-PTC	50OHM, 20%, 100V, 125V, 24A, -, -	
PC801	AA39-10002E	33053-817D090	POWER-CORD	DP, MSP-10W, SPT2, 2.1M, HOUS	
Q201	32137-301-720		TRANSISTOR	KSC 815-Y(TAPG)/YTAM	
Q203	32137-301-720		TRANSISTOR	KSC 815-Y(TAPG)/YTAM	
Q204	32137-401-530		TRANSISTOR	KSA 539-Y(TAPG)/YTAM	
Q251	32137-301-720		TRANSISTOR	KSC 815-Y(TAPG)/YTAM	

Loc No	New Code No	Old Code No	Description	Specification	Remarks
△ Q402*	0502-000260	A4052-0059	TR-POWER	KSC2073, NPN, 150V, 150V, 1.5	
Q601	32137-301-720		TRANSISTOR	KSC 815-Y(TAPG)/YTAM	
Q702	0504-000123	A4060-0033	TR-DIGITAL	KSR1010, NPN, 300MW, 10K, TO-	
△ Q801	A4058-0009		TR-DARLINGTON	TIP102 2W 8A 100V S1/NPN	
△ Q802*	0502-000244	A4052-0055	TR-POWER	KSA940, PNP, -150V, -150V, -1	
△ Q901	0504-000123	A4060-0033	TR-DIGITAL	KSR1010, NPN, 300MW, 10K, TO-	
Q902	32137-301-720		TRANSISTOR	KSC 815-Y(TAPG)/YTAM	
Q951	32137-301-560		TRANSISTOR	KSC 2331-Y(TAPG)	
QU03	0504-000123	A4060-0033	TR-DIGITAL	KSR1010, NPN, 300MW, 10K, TO-	
QU03*	0504-000123	A4060-0033	TR-DIGITAL	KSR1010, NPN, 300MW, 10K, TO-	
QU05	32137-401-530		TRANSISTOR	KSA 539-Y(TAPG)/YTAM	
QX01*	32137-401-530		TRANSISTOR	KSA 539-Y(TAPG)/YTAM	
R102	2001-000221	31018-177-122	R-CARBON	1.2KOHM, 5%, 1/8W, AA, TP, 1.8	
R103	2001-000660	31018-177-333	R-CARBON	33KOHM, 5%, 1/8W, AA, TP, 1.8X	
R104	2001-000331	31018-177-123	R-CARBON	12KOHM, 5%, 1/8W, AA, TP, 1.8X	
R106	2003-000592	A1004-0409	R-METAL OXIDE(S)	22OHM, 5%, 2W, AD, TP, 4X12MM	
R107	2001-000281	31018-177-101	R-CARBON	100OHM, 5%, 1/8W, AA, TP, 1.8X	
R108	2001-000281	31018-177-101	R-CARBON	100OHM, 5%, 1/8W, AA, TP, 1.8X	
R202	2001-000221	31018-177-122	R-CARBON	1.2KOHM, 5%, 1/8W, AA, TP, 1.8	
R203	2001-000577	31018-177-202	R-CARBON	2KOHM, 5%, 1/8W, AA, TP, 1.8X3	
R204	2001-000793	31018-177-470	R-CARBON	47OHM, 5%, 1/8W, AA, TP, 1.8X3	
R205	2001-000490	31018-177-201	R-CARBON	200OHM, 5%, 1/8W, AA, TP, 1.8X	
R206	2001-000869	31018-177-560	R-CARBON	560OHM, 5%, 1/8W, AA, TP, 1.8X3	
R208	2001-000674	31018-177-361	R-CARBON	360OHM, 5%, 1/8W, AA, TP, 1.8X	
R209	2001-000281	31018-177-101	R-CARBON	100OHM, 5%, 1/8W, AA, TP, 1.8X	
R210	2001-000281	31018-177-101	R-CARBON	100OHM, 5%, 1/8W, AA, TP, 1.8X	
R211	2001-00000	31018-177-204	R-CARBON	200KOHM, 5%, 1/8W, AA, TP, 1.8	
R212	2001-000832	31018-177-511	R-CARBON	510OHM, 5%, 1/8W, AA, TP, 1.8X	
R213	2001-000429	31018-177-102	R-CARBON	1KOHM, 5%, 1/8W, AA, TP, 1.8X3	
R214	2001-000281	31018-177-101	R-CARBON	100OHM, 5%, 1/8W, AA, TP, 1.8X	
R215	2001-000281	31018-177-101	R-CARBON	100OHM, 5%, 1/8W, AA, TP, 1.8X	
R216	2001-000281	31018-177-101	R-CARBON	100OHM, 5%, 1/8W, AA, TP, 1.8X	
R217*	2001-000508	31018-177-224	R-CARBON	220KOHM, 5%, 1/8W, AA, TP, 1.8	
R219*	2001-001150	31018-377-474	R-CARBON(S)	470KOHM, 5%, 1/2W, AA, TP, 2.4	
R222	2001-000281	31018-177-101	R-CARBON	100OHM, 5%, 1/8W, AA, TP, 1.8X	
R223	2001-000429	31018-177-102	R-CARBON	1KOHM, 5%, 1/8W, AA, TP, 1.8X3	
R224	2001-000780	31018-177-471	R-CARBON	470OHM, 5%, 1/8W, AA, TP, 1.8X	
R225	2001-000281	31018-177-101	R-CARBON	100OHM, 5%, 1/8W, AA, TP, 1.8X	
R226	2001-000273	31018-177-104	R-CARBON	100KOHM, 5%, 1/8W, AA, TP, 1.8	
R227	2001-000745	31018-177-479	R-CARBON	4.7OHM, 5%, 1/8W, AA, TP, 1.8X	
R228	31018-177-564		R-CARBON/METAL FILM	RD 1/8T 560K-J	
R229	31018-177-680		R-CARBON/METAL FILM	RD 1/8T 68-J	
R230	2001-000591	31018-177-332	R-CARBON	3.3KOHM, 5%, 1/8W, AA, TP, 1.8	
R231	2001-000281	31018-177-101	R-CARBON	100OHM, 5%, 1/8W, AA, TP, 1.8X	
R232	2001-000440	31018-177-109	R-CARBON	10HM, 5%, 1/8W, AA, TP, 1.8X3.	
R233	2001-000539	31018-177-243	R-CARBON	24KOHM, 5%, 1/8W, AA, TP, 1.8X	
R234	2001-000008	31018-177-153	R-CARBON	15KOHM, 5%, 1/8W, AA, TP, 1.8X	
R235	2001-000522	31018-177-223	R-CARBON	22KOHM, 5%, 1/8W, AA, TP, 1.8X	
R236	2001-000429	31018-177-102	R-CARBON	1KOHM, 5%, 1/8W, AA, TP, 1.8X3	
R237	2001-001139	31018-377-393	R-CARBON(S)	39KOHM, 5%, 1/2W, AA, TP, 2.4X	
R239	31018-177-563		R-CARBON/METAL FILM	RD 1/8T 56K-J	
R240	31018-177-563		R-CARBON/METAL FILM	RD 1/8T 56K-J	
R241	2001-000262	31048-177-185	R-CARBON	1.8MOHM, 5%, 1/8W, AA, TP, 1.8	
R251	31018-177-750		R-CARBON/METAL FILM	RD 1/8T 75-J/ERD-S2TJ 750	
R252	31018-177-750		R-CARBON/METAL FILM	RD 1/8T 75-J/ERD-S2TJ 750	
R301*	2001-000258	31018-177-182	R-CARBON	1.8KOHM, 5%, 1/8W, AA, TP, 1.8	
R304	2001-001184	31018-377-754	R-CARBON(S)	750KOHM, 5%, 1/2W, AB, TP, 2.4	
R305	2001-001184	31018-377-754	R-CARBON(S)	750KOHM, 5%, 1/2W, AB, TP, 2.4	
R306*	2003-000652	A1004-0410	R-METAL OXIDE(S)	330OHM, 5%, 2W, AD, TP, 4X12MM	
R307	2001-001092	31018-377-109	R-CARBON(S)	10HM, 5%, 1/2W, AB, TP, 2.4X6.	
R308	2001-001092	31018-377-109	R-CARBON(S)	10HM, 5%, 1/2W, AB, TP, 2.4X6.	
△ R309*	2003-002009		R-METAL OXIDE(S)	390OHM, 5%, 2W, AF, TP, 3.9X10	



Loc No	New Code No	Old Code No	Description	Specification	Remarks
R403*	2001-001114	31018-377-271	R-CARBON(S)	2700HM, 5%, 1/2W, AA, TP, 2.4X	
R404	2001-001181	31018-377-680	R-CARBON(S)	680HM, 5%, 1/2W, AB, TP, 2.4X6	
△ R405*	2003-000540	A1004-0404	R-METAL OXIDE(S)	1KOHM, 5%, 2W, AD, TP, 4X12MM	
R407*	31018-377-470		R-CARBON/METAL FILM	RD 1/2T 47-J	
△ R408	2004-001390	31048-361-001	R-METAL(S)	1KOHM, 2%, 1/2W, AA, TP, 2.4X6	
△ R409	A1010-0085		R-FUSIBLE	RF 2 RT(S) R68-J	
△ R410	2008-000206	A1010-0035	R-FUSIBLE(S)	1OHM, 5%, 1/2W, AF, TP, 2.5X6.	
△ R411*	2004-001408	31049-375-913	R-METAL(S)	91KOHM, 1%, 1/2W, AA, TP, 2.4X	
R412*	2001-001194	31018-377-823	R-CARBON(S)	82KOHM, 5%, 1/2W, AA, TP, 2.4X	
R413*	2001-001037	A1000-0660	R-CARBON(S)	0.39OHM, 5%, 1/2W, AA, TP, 2.4	
△ R415	2003-002005		R-METAL OXIDE(S)	3.9KOHM, 5%, 2W, AF, TP, 3.9X1	
R416	2001-000613	31018-177-392	R-CARBON	3.9KOHM, 5%, 1/8W, AA, TP, 1.8	
△ R417	A1010-0077		R-FUSIBLE	RF 1 T 5R6-J	
△ R450*	A1010-0061		R-FUSIBLE	RF 2 RT 010-J	
R602	2001-000281	31018-177-101	R-CARBON	100OHM, 5%, 1/8W, AA, TP, 1.8X	
R603	2001-000281	31018-177-101	R-CARBON	100OHM, 5%, 1/8W, AA, TP, 1.8X	
R604*	2001-000281	31018-177-101	R-CARBON	100OHM, 5%, 1/8W, AA, TP, 1.8X	
R606	31018-177-824		R-CARBON/METAL FILM	RD 1/8T 820K-J	
R607	2001-000281	31018-177-101	R-CARBON	100OHM, 5%, 1/8W, AA, TP, 1.8X	
R608	2001-000281	31018-177-101	R-CARBON	100OHM, 5%, 1/8W, AA, TP, 1.8X	
R609	2001-000613	31018-177-392	R-CARBON	3.9KOHM, 5%, 1/8W, AA, TP, 1.8	
R610	2001-000734	31018-177-472	R-CARBON	4.7KOHM, 5%, 1/8W, AA, TP, 1.8	
R611	2001-000281	31018-177-101	R-CARBON	100OHM, 5%, 1/8W, AA, TP, 1.8X	
R612	2001-000281	31018-177-101	R-CARBON	100OHM, 5%, 1/8W, AA, TP, 1.8X	
R613	2001-000313	31018-177-113	R-CARBON	11KOHM, 5%, 1/8W, AA, TP, 1.8X	
R614	2001-000313	31018-177-113	R-CARBON	11KOHM, 5%, 1/8W, AA, TP, 1.8X	
R615	2001-000429	31018-177-102	R-CARBON	1KOHM, 5%, 1/8W, AA, TP, 1.8X3	
R616	2001-000273	31018-177-104	R-CARBON	100KOHM, 5%, 1/8W, AA, TP, 1.8	
R617	2001-000429	31018-177-102	R-CARBON	1KOHM, 5%, 1/8W, AA, TP, 1.8X3	
R618	2001-001146	31018-377-479	R-CARBON(S)	4.7OHM, 5%, 1/2W, AA, TP, 2.4X	
R619	2001-000522	31018-177-223	R-CARBON	22KOHM, 5%, 1/8W, AA, TP, 1.8X	
R620	2001-000009	31018-177-203	R-CARBON	20KOHM, 5%, 1/8W, AA, TP, 1.8X	
R667*	2001-000429	31018-177-102	R-CARBON	1KOHM, 5%, 1/8W, AA, TP, 1.8X3	
R701	2001-001146	31018-377-479	R-CARBON(S)	4.7OHM, 5%, 1/2W, AA, TP, 2.4X	
R705*	2001-001175	A1000-0649	R-CARBON(S)	62OHM, 5%, 1/2W, AB, TP, 2.4X6	
R708	2001-001187	31018-377-750	R-CARBON(S)	75OHM, 5%, 1/2W, AA, TP, 2.4X6	
R709	2001-001187	31018-377-750	R-CARBON(S)	75OHM, 5%, 1/2W, AA, TP, 2.4X6	
R712	31018-377-102		R-CARBON/METAL FILM	RD 1/2T 1K-J	
R713	2001-000085	31018-377-104	R-CARBON(S)	100KOHM, 5%, 1/2W, AA, TP, 2.4	
R714	31018-377-102		R-CARBON/METAL FILM	RD 1/2T 1K-J	
R715	2001-000085	31018-377-104	R-CARBON(S)	100KOHM, 5%, 1/2W, AA, TP, 2.4	
R716	31018-377-102		R-CARBON/METAL FILM	RD 1/2T 1K-J	
R717	2001-000085	31018-377-104	R-CARBON(S)	100KOHM, 5%, 1/2W, AA, TP, 2.4	
R718	31018-377-102		R-CARBON/METAL FILM	RD 1/2T 1K-J	
R719	2001-000085	31018-377-104	R-CARBON(S)	100KOHM, 5%, 1/2W, AA, TP, 2.4	
R720*	2001-000085	31018-377-104	R-CARBON(S)	100KOHM, 5%, 1/2W, AA, TP, 2.4	
R721*	2001-000085	31018-377-104	R-CARBON(S)	100KOHM, 5%, 1/2W, AA, TP, 2.4	
R722	2001-000252	31018-177-162	R-CARBON	1.6KOHM, 5%, 1/8W, AA, TP, 1.8	
R723	2001-000429	31018-177-102	R-CARBON	1KOHM, 5%, 1/8W, AA, TP, 1.8X3	
R724	2001-001060	31018-377-101	R-CARBON(S)	100OHM, 5%, 1/2W, AB, TP, 2.4X	
R725	2001-001060	31018-377-101	R-CARBON(S)	100OHM, 5%, 1/2W, AB, TP, 2.4X	
△ R801*	A1008-0016		R-METAL PLATE	RP 5 T R18-K	
R802	2001-001117	A1000-0586	R-CARBON(S)	2KOHM, 5%, 1/2W, AA, TP, 2.4X6	
R803	2001-001117	A1000-0586	R-CARBON(S)	2KOHM, 5%, 1/2W, AA, TP, 2.4X6	
R804	2001-001150	31018-377-474	R-CARBON(S)	470KOHM, 5%, 1/2W, AA, TP, 2.4	
△ R805*	31028-328-475		R-COMPOSITION	RC 1/2T 4.7M-K/ERC-12GK 4	
R806	2001-001071	31018-377-123	R-CARBON(S)	12KOHM, 5%, 1/2W, AA, TP, 2.4X	
R807	2001-001071	31018-377-123	R-CARBON(S)	12KOHM, 5%, 1/2W, AA, TP, 2.4X	
R808	2001-001150	31018-377-474	R-CARBON(S)	470KOHM, 5%, 1/2W, AA, TP, 2.4	
△ R809*	2003-000713	A1004-0428	R-METAL OXIDE(S)	47OHM, 5%, 2W, AD, TP, 4X12MM	
△ R810	A1004-0478		R-METAL OXIDE	RS 2 RT(S) 121-J	
△ R811*	2003-000746	A1004-0427	R-METAL OXIDE(S)	56OHM, 5%, 2W, AD, TP, 4X12MM	

Loc No	New Code No	Old Code No	Description	Specification	Remarks
△ R812	A1010-0076		R-FUSIBLE	RF 1 RT(S) R27-K	
R813	2001-001078	31018-377-153	R-CARBON(S)	15KOHM, 5%, 1/2W, AA, TP, 2.4X	
R814	2001-001117	A1000-0586	R-CARBON(S)	2KOHM, 5%, 1/2W, AA, TP, 2.4X6	
△ R815*	A1014-0094		R-CEMENT	RWC 5 I 110-J T WCR-ET	
△ R816	A1004-0454		R-METAL OXIDE	RS 2 RT 123-J 12K	
△ R817	2003-000996	A1004-0491	R-METAL OXIDE(S)	8.2KOHM, 5%, 2W, AF, TP, 3.9X1	
△ R818	A1004-0431		R-METAL OXIDE	RS 2 RT(S) 103-J 10K	
△ R819	A1004-0437		R-METAL OXIDE	RS 2 RT(S) 270-J 27R	
R820*	2001-001187	31018-377-750	R-CARBON(S)	75OHM, 5%, 1/2W, AA, TP, 2.4X6	
R821*	2001-001143	31018-377-432	R-CARBON(S)	4.3KOHM, 5%, 1/2W, AA, TP, 2.4	
R822	2001-000273	31018-177-104	R-CARBON	100KOHM, 5%, 1/8W, AA, TP, 1.8	
R851*	2001-001143	31018-377-432	R-CARBON(S)	4.3KOHM, 5%, 1/2W, AA, TP, 2.4	
R852*	31018-377-102		R-CARBON/METAL FILM	RD 1/2T 1K-J	
△ R853*	2003-000592	A1004-0409	R-METAL OXIDE(S)	22OHM, 5%, 2W, AD, TP, 4X12MM	
R901	2001-000793	31018-177-470	R-CARBON	47OHM, 5%, 1/8W, AA, TP, 1.8X3	
R902	2001-000429	31018-177-102	R-CARBON	1KOHM, 5%, 1/8W, AA, TP, 1.8X3	
R903	2001-000281	31018-177-101	R-CARBON	100OHM, 5%, 1/8W, AA, TP, 1.8X	
R904	2001-000281	31018-177-101	R-CARBON	100OHM, 5%, 1/8W, AA, TP, 1.8X	
R905	2001-000429	31018-177-102	R-CARBON	1KOHM, 5%, 1/8W, AA, TP, 1.8X3	
R906	2001-000472	31018-177-272	R-CARBON	2.7KOHM, 5%, 1/8W, AA, TP, 1.8	
R907	31018-177-821		R-CARBON/METAL FILM	RD 1/8T 820-J	
R908	2001-000232	31018-177-132	R-CARBON	1.3KOHM, 5%, 1/8W, AA, TP, 1.8	
R909	2001-000800	31018-177-512	R-CARBON	5.1KOHM, 5%, 1/8W, AA, TP, 1.8	
R910	2001-000429	31018-177-102	R-CARBON	1KOHM, 5%, 1/8W, AA, TP, 1.8X3	
R911	2001-000290	31018-177-103	R-CARBON	10KOHM, 5%, 1/8W, AA, TP, 1.8X	
R912	2001-000832	31018-177-511	R-CARBON	510OHM, 5%, 1/8W, AA, TP, 1.8X	
R914	2001-000515	31018-177-221	R-CARBON	220OHM, 5%, 1/8W, AA, TP, 1.8X	
R915	2001-000472	31018-177-272	R-CARBON	2.7KOHM, 5%, 1/8W, AA, TP, 1.8	
R916	2001-000429	31018-177-102	R-CARBON	1KOHM, 5%, 1/8W, AA, TP, 1.8X3	
R917	2001-000429	31018-177-102	R-CARBON	1KOHM, 5%, 1/8W, AA, TP, 1.8X3	
R919	2001-000429	31018-177-102	R-CARBON	1KOHM, 5%, 1/8W, AA, TP, 1.8X3	
R920	2001-000522	31018-177-223	R-CARBON	22KOHM, 5%, 1/8W, AA, TP, 1.8X	
R921	2001-001062	31018-377-106	R-CARBON(S)	10MOHM, 5%, 1/2W, AA, TP, 2.4X	
R922	2001-000281	31018-177-101	R-CARBON	100OHM, 5%, 1/8W, AA, TP, 1.8X	
R923	2001-000281	31018-177-101	R-CARBON	100OHM, 5%, 1/8W, AA, TP, 1.8X	
R924	2001-000449	31018-177-222	R-CARBON	2.2KOHM, 5%, 1/8W, AA, TP, 1.8	
R925	2001-000449	31018-177-222	R-CARBON	2.2KOHM, 5%, 1/8W, AA, TP, 1.8	
R926	2001-000449	31018-177-222	R-CARBON	2.2KOHM, 5%, 1/8W, AA, TP, 1.8	
R927	2001-000290	31018-177-103	R-CARBON	10KOHM, 5%, 1/8W, AA, TP, 1.8X	
R928	31018-177-563		R-CARBON/METAL FILM	RD 1/8T 56K-J	
R930*	2001-000577	31018-177-202	R-CARBON	2KOHM, 5%, 1/8W, AA, TP, 1.8X3	
R931	2001-000563	31018-177-273	R-CARBON	27KOHM, 5%, 1/8W, AA, TP, 1.8X	
R932	2001-001062	31018-377-106	R-CARBON(S)	10MOHM, 5%, 1/2W, AA, TP, 2.4X	
R933	2001-000429	31018-177-102	R-CARBON	1KOHM, 5%, 1/8W, AA, TP, 1.8X3	
R934	2001-000429	31018-177-102	R-CARBON	1KOHM, 5%, 1/8W, AA, TP, 1.8X3	
R951	2001-000290	31018-177-103	R-CARBON	10KOHM, 5%, 1/8W, AA, TP, 1.8X	
R952	2001-000472	31018-177-272	R-CARBON	2.7KOHM, 5%, 1/8W, AA, TP, 1.8	
R953	2001-000290	31018-177-103	R-CARBON	10KOHM, 5%, 1/8W, AA, TP, 1.8X	
R954	2001-000290	31018-177-103	R-CARBON	10KOHM, 5%, 1/8W, AA, TP, 1.8X	
R955	2001-000290	31018-177-103	R-CARBON	10KOHM, 5%, 1/8W, AA, TP, 1.8X	
R956	2001-000734	31018-177-472	R-CARBON	4.7KOHM, 5%, 1/8W, AA, TP, 1.8	
R957	2001-001181	31018-377-680	R-CARBON(S)	68OHM, 5%, 1/2W, AB, TP, 2.4X6	
△ R958	2004-000152	31047-176-152	R-METAL	1.5KOHM, 2%, 1/8W, AA, TP, 1.8	
R959	2001-000290	31018-177-103	R-CARBON	10KOHM, 5%, 1/8W, AA, TP, 1.8X	
R960	2001-000281	31018-177-101	R-CARBON	100OHM, 5%, 1/8W, AA, TP, 1.8X	
R961	2001-000679	31018-177-363	R-CARBON	36KOHM, 5%, 1/8W, AA, TP, 1.8X	
R962	2001-000290	31018-177-103	R-CARBON	10KOHM, 5%, 1/8W, AA, TP, 1.8X	
R963	31018-377-102		R-CARBON/METAL FILM	RD 1/2T 1K-J	
R964	31018-377-102		R-CARBON/METAL FILM	RD 1/2T 1K-J	
R965	2001-000273	31018-177-104	R-CARBON	100KOHM, 5%, 1/8W, AA, TP, 1.8	
RA207*	2001-000258	31018-177-182	R-CARBON	1.8KOHM, 5%, 1/8W, AA, TP, 1.8	
RB207	2001-000674	31018-177-361	R-CARBON	360OHM, 5%, 1/8W, AA, TP, 1.8X	

Loc No.	New Code No.	Old Code No.	Description	Specification	Remarks
RE03•	2001-001060	31018-377-101	R-CARBON(S)	1000HM, 5%, 1/2W, AB, TP, 2.4X	
△ RL801	3501-000285	34729-004-010	RELAY-POWER	12V, -, 10A, -, 15MS, 5MS	
△ RM901•	AA59-60001U	A1294-0035	MODULE-REMOCON	-, ORC-50VF, 38KHZ, 940NM, ME	
RN01•	31018-177-821		R-CARBON/METAL FILM	RD 1/8T 820-J	
RN10•	2001-000290	31018-177-103	R-CARBON	10KOHM, 5%, 1/8W, AA, TP, 1.8X	
RN11•	2001-000290	31018-177-103	R-CARBON	10KOHM, 5%, 1/8W, AA, TP, 1.8X	
△ RU01•	31028-328-185		R-COMPOSITION	RC 1/2T 1.8M-K/ERC-12GK 1	
RU02•	2001-000780	31018-177-471	R-CARBON	470OHM, 5%, 1/8W, AA, TP, 1.8X	
RU03•	2001-000290	31018-177-103	R-CARBON	10KOHM, 5%, 1/8W, AA, TP, 1.8X	
RU07	2001-000429	31018-177-102	R-CARBON	10KOHM, 5%, 1/8W, AA, TP, 1.8X	
RU08•	2001-000005	31018-177-391	R-CARBON	1KOHM, 5%, 1/8W, AA, TP, 1.8X3	
RU09•	2001-000005	31018-177-391	R-CARBON	390OHM, 5%, 1/8W, AA, TP, 1.8X	
RU10•	2001-000005	31018-177-391	R-CARBON	390OHM, 5%, 1/8W, AA, TP, 1.8X	
RU11•	2001-000429	31018-177-102	R-CARBON	1KOHM, 5%, 1/8W, AA, TP, 1.8X3	
RU12	2001-000290	31018-177-103	R-CARBON	10KOHM, 5%, 1/8W, AA, TP, 1.8X	
RU13	2001-000613	31018-177-392	R-CARBON	3.9KOHM, 5%, 1/8W, AA, TP, 1.8	
RU17	2001-000429	31018-177-102	R-CARBON	1KOHM, 5%, 1/8W, AA, TP, 1.8X3	
RU18	2001-000429	31018-177-102	R-CARBON	1KOHM, 5%, 1/8W, AA, TP, 1.8X3	
RX01•	2001-000397	31018-177-184	R-CARBON	180KOHM, 5%, 1/8W, AA, TP, 1.8	
RX02•	31018-177-623		R-CARBON/METAL FILM	RD 1/8T 62K-J	
RX03•	2001-000522	31018-177-223	R-CARBON	22KOHM, 5%, 1/8W, AA, TP, 1.8X	
RX04•	2001-000766	31018-177-433	R-CARBON	43KOHM, 5%, 1/8W, AA, TP, 1.8X	
RX05•	2001-000290	31018-177-103	R-CARBON	10KOHM, 5%, 1/8W, AA, TP, 1.8X	
RX06•	2008-000206	A1010-0035	R-FUSIBLE(S)	1OHM, 5%, 1/2W, AF, TP, 2.5X6.	
SF101•	2904-000287	B1245-0052	FILTER-SAW AV	45.75MHZ, S1P5P, ST	
SF102	2904-000289	B1245-0045	FILTER-SAW AV	45.75MHZ, S1P5P, ST	
△ SPK	3001-000190	34209-200-007	SPEAKER	5W, 8ohm, 89dB, 150Hz	
SPK	AA39-20111B	36434-0088-010	LEAD-CONNECTOR, ASSY	-, YSH025-04, #205/#110, 4P,	
SW901•	3404-000244	B3018-0034	SWITCH-TACT	15V, 20MA, 90-170GF, 7.5X7MM	
SW902•	3404-000244	B3018-0034	SWITCH-TACT	15V, 20MA, 90-170GF, 7.5X7MM	
SW903•	3404-000244	B3018-0034	SWITCH-TACT	15V, 20MA, 90-170GF, 7.5X7MM	
SW904•	3404-000244	B3018-0034	SWITCH-TACT	15V, 20MA, 90-170GF, 7.5X7MM	
SW905•	3404-000244	B3018-0034	SWITCH-TACT	15V, 20MA, 90-170GF, 7.5X7MM	
SWN01•	A3018-0072		SW-TACT, V	JTM-1113J/KPT-1122A 4.4X1	
T201•	AA26-10005E	A1195-0028	TRANS-IF	-, 7MM, IF, 0.136UH, 7MM, 27PF	
△ T401•	AA26-50001M	A1202-0008	HORIZ.DRIVE	-, 60MH, 520UH, 4UH, E119, -	
△ T444•	AA26-30002K	A1201-0048	TRANS-FRYBACK	-, FTH-29A001, 29°, 130V	
△ T801•	AA26-20004E	A1206-0097	TRANS-SWITCHING	-, 80-260V, -, ER534521, 460U	
△ TU01•	AA40-10003B	A1292-0098	TUNER-F/S	-, TECC-1080PA25A, NTSC-USA	
US0081	34503-0100-000		STICKER-RATING	TETRONO PAPER 90(G) ALL	
X202•	2801-000229	B1280-0116	CRYSTAL-UNIT	3.579545MHZ, 30PPM, 28-AAM,	
X901	B1280-0219		CRYSTAL	32.768KHZ P3 20PPM	
Z201	34527-460-001		FILTER-CERAMIC	TPS4.5MCTF21	
Z601•	2903-000135	B1243-0071	FILTER-CERAMIC	BP, 4.5MHZ	
			ASSY-LED, GUIDE		
△ LD901•	*3H77-00001-070		ASSY-LED, GUIDE	32309-121-005, DL-G5RGA	
			ASSY-H/S, SOUND		
△ IC601•	*3Y81-00010-010 B4012-0418		ASSY-H/S, SOUND IC-LINEAR	31122-0017-140 TDA7266 SA TDA7266 ZIF BULK POWER-AM	CKD S.N.A
			ASSY-H/S, VERT		
△ IC301•	*3Y82-20081-010 B4012-0607		ASSY-H/S, VERT IC-LINEAR	31122-0027-050 TDA8350Q S TDA8350Q/N4 ZIP BULK VERT	CKD S.N.A
			ASSY-H/S, POWER		
	*3Y83-20036-010		ASSY-H/S, POWER	31122-0017-040 S6709 SMX	CKD S.N.A

## 6-4. 27 Inch Only

### 6-4-1.TXE2745

Loc No.	New Code No.	Old Code No.	Description	Specification	Remarks
			ASSY-PCB,MAIN(COM)		
	*AA97-10031N		ASSY-PCB,MAIN(COM)	TXE2745/UCX,KCT52A,SEA,NO	
PCB	36029-0590-000		P.C.B-MAIN	T1.6 W330 L245 KCT52A	BARE PCB
C/FBT	AA65-30002A	33333-0005-010	CLAMP-FBT	- ,NYLON-66, V0, BLK, - , -	
C/FBT	AA65-30009A	33333-101-911	CLAMP-FBT	- ,ABS, V0, BLK, - , -	
C/WIRE	AA65-30003A	33333-0011-000	CLAMP-WIRE	- ,NYLON-66, V0, NTR, V-MODEL	
C/WIRE	AA65-30010A	36634-111-010	CLAMP-WIRE	- ,NYLON-66, V0, NTR, - , -	
C/WIRE	AA65-30010B	36634-111-020	CLAMP-WIRE	- ,NYLON-66, V0, NTR, - , -	
C/WIRE	AA65-30018A	36635-112-010	CLAMP-WIRE	- ,NYLON-66, V0, NTR, DATL-60	
C101	31607-402-260		C-ELECTROLYNC	CE04W TAPG 50V 22M-M	
C103	2401-001530	31607-401-670	C-AL	47UF, 20%, 25V, GP, 5X11MM, 5M	
C104	2202-000127	A1100-0803	C-CERAMIC,MLC-AXIAL	10NF, +80-20%, 25V, Y5V, - , 7.	
C105	31607-402-200		C-ELECTROLYTIC	CE04W TAPG 50V 0.47M	
C106	2202-000127	A1100-0803	C-CERAMIC,MLC-AXIAL	10NF, +80-20%, 25V, Y5V, - , 7.	
C107	31607-402-200		C-ELECTROLYTIC	CE04W TAPG 50V 0.47M	
C108	2401-000480	31607-402-250	C-AL	10UF, 20%, 50V, GP, 5X11MM, 5M	
C109	2401-001530	31607-401-670	C-AL	47UF, 20%, 25V, GP, 5X11MM, 5M	
C110	2401-000269	31607-401-470	C-AL	100UF, 20%, 16V, GP, 6X11MM, 5	
C111	2201-000611	31407-105-280	C-CERAMIC,DISC	56PF, 5%, 50V, NPO, 6.3X3MM, 5	
C112	2306-000122	B1102-0318	C-FILM, MPPF	100NF, 5%, 50V, 7.3X4.0X5.0M	
C201	2202-000127	A1100-0803	C-CERAMIC,MLC-AXIAL	10NF, +80-20%, 25V, Y5V, - , 7.	
C202	2301-000247	31507-127-009	C-FILM, PEF	33NF, 5%, 50V, 8.1X4.5X13MM,	
C203	2306-000122	B1102-0318	C-FILM, MPPF	100NF, 5%, 50V, 7.3X4.0X5.0M	
C204	31607-402-220		C-ELECTROLYTIC	CE04W TAPG 50V 2.2M	
C205	2301-000223	31507-137-016	C-FILM, PEF	22NF, 5%, 100V, 7.2X4.5X9.0M	
C206	2301-000192	31507-127-000	C-FILM, PEF	1NF, 5%, 50V, 5.3X10MM, 5MM, T	
C209*	2306-000122	B1102-0318	C-FILM, MPPF	100NF, 5%, 50V, 7.3X4.0X5.0M	
C210	2401-000269	31607-401-470	C-AL	100UF, 20%, 16V, GP, 6X11MM, 5	
C211	2306-000122	B1102-0318	C-FILM, MPPF	100NF, 5%, 50V, 7.3X4.0X5.0M	
C212	2301-000285	31507-127-010	C-FILM, PEF	47NF, 5%, 50V, 7.5X4.0X6.5, 5	
C213	2306-000122	B1102-0318	C-FILM, MPPF	100NF, 5%, 50V, 7.3X4.0X5.0M	
C214	2301-000380	31507-127-006	C-FILM, PEF	10NF, 5%, 50V, 6.5X3MM, 5MM, T	
C216	31407-105-110		C-CERAMIC,TEMP	CC45 TAPG CH 50V 120-J	
C217	2201-000389	31407-105-180	C-CERAMIC,DISC	22PF, 5%, 50V, NPO, 5.0X3.0, 2	
C218	2306-000122	B1102-0318	C-FILM, MPPF	100NF, 5%, 50V, 7.3X4.0X5.0M	
C219*	2306-000122	B1102-0318	C-FILM, MPPF	100NF, 5%, 50V, 7.3X4.0X5.0M	
C220*	2306-000122	B1102-0318	C-FILM, MPPF	100NF, 5%, 50V, 7.3X4.0X5.0M	
C221*	2301-000224	31507-127-008	C-FILM, PEF	22NF, 5%, 50V, 7.4X3.9X13MM,	
C222*	2301-000224	31507-127-008	C-FILM, PEF	22NF, 5%, 50V, 7.4X3.9X13MM,	
C223	2201-000144	31407-105-660	C-CERAMIC,DISC	100PF, 5%, 50V, NPO, 8.0X4.0M	
C224	2301-000264	31507-127-016	C-FILM, PEF	4.7NF, 5%, 50V, 6.5X5.5X3.0X	
C225	2306-000122	B1102-0318	C-FILM, MPPF	100NF, 5%, 50V, 7.3X4.0X5.0M	
C226	2401-000269	31607-401-470	C-AL	100UF, 20%, 16V, GP, 6X11MM, 5	
C227	2306-000122	B1102-0318	C-FILM, MPPF	100NF, 5%, 50V, 7.3X4.0X5.0M	
C228	31607-402-220		C-ELECTROLYTIC	CE04W TAPG 50V 2.2M	
C229	2306-000122	B1102-0318	C-FILM, MPPF	100NF, 5%, 50V, 7.3X4.0X5.0M	
C230	2202-000162	A1100-0824	C-CERAMIC,MLC-AXIAL	15PF, 5%, 50V, SL, 3.5X19MM, -	
C231	2301-000201	31507-127-002	C-FILM, PEF	2.2NF, 5%, 50V, 7.4X3.9X13MM	
C232	2301-000264	31507-127-016	C-FILM, PEF	4.7NF, 5%, 50V, 6.5X5.5X3.0X	
C233	2401-000603	31607-402-210	C-AL	1UF, 20%, 50V, GP, 5X11MM, 5MM	
C237	2306-000122	B1102-0318	C-FILM, MPPF	100NF, 5%, 50V, 7.3X4.0X5.0M	
C238	2306-000122	B1102-0318	C-FILM, MPPF	100NF, 5%, 50V, 7.3X4.0X5.0M	
C239	31607-402-220		C-ELECTROLYTIC	CE04W TAPG 50V 2.2M	
C240	2301-000223	31507-137-016	C-FILM, PEF	22NF, 5%, 100V, 7.2X4.5X9.0M	

Loc No	New Code No.	Old Code No	Description	Specification	Remarks
			ASSY-H/S,SOUND		
△ IC601*	*3Y81-00010-010 B4012-0418		ASSY-H/S,SOUND IC-LINEAR	31122-0017-140 TDA7266 SA TDA7266 ZIF BULK POWER-AM	CKD S.N.A
			ASSY-H/S,VERT(HORI)		
△ Q401	*3Y82-20080-010 32159-210-032		ASSY-H/S,VERT(HORI) TRANSISTOR	31121-0028-000 2SD1887YD 2SD1887YD	CKD S.N.A
			ASSY-H/S,VERT		
△ IC301*	*3Y82-20081-010 B4012-0607		ASSY-H/S,VERT IC-LINEAR	31122-0027-050 TDA8350Q S TDA8350Q/N4 ZIP BULK VERT	CKD S.N.A
			ASSY-H/S,POWER		
△ IC801*	*3Y83-20036-010 AA13-20002K		ASSY-H/S,POWER IC-HYBRID	31122-0017-040 S6709 SMX -,STR-S6709 LF953,SIP,9P,	CKD S.N.A
			ASSY-H/S,POWER		
△ D803	*3Y83-20037-010 0402-000233		ASSY-H/S,POWER DIODE-RECTIFIER	31124-0029-000 FML-G12 SM FML-G12S,200V,5A,-	CKD S.N.A
			ASSY-H/S,POWER		
△ IC802	*3Y83-20038-010 B4008-1162		ASSY-H/S,POWER IC-S/W REGU ASSY-H/S,TR	31124-0032-000 TDA8133 SM TDA8133 SIP 9P	CKD S.N.A
			ASSY-H/S,TR		
△ QE01	*3Y84-70049-010 0502-000242		ASSY-H/S,TR TR-POWER	31122-0018-050 KSA614-Y S KSA614,PNP,-80V,-55V,-3A,	CKD S.N.A
			ASSY-H/S,TR		
△ IC853	*3Y84-70050-010 1203-000165		ASSY-H/S,TR IC-POS1.ADJUST REG.	31123-0037-020 KA78R12 SM 78R12,TO-220,3P,-,-,12V,-	CKD S.N.A
			ASSY-H/S,TR		
△ D812*	*3Y84-70051-010 0402-000231		ASSY-H/S,TR DIODE-RECTIFIER	31123-0037-020 FMG-G26S S FMG-G26S,600V,4A,TO-220F	CKD S.N.A
			ASSY-H/S,TR		
△ D810	*3Y84-70052-010 B4102-0087		ASSY-H/S,TR DIODE-FR	31123-0037-050 FML-G22S S FML-G22S 200V 10A 40NS	CKD S.N.A
			ASSY-ACCESSORY		
M/TRANS	AA26-90001E	32759-115-040	TRANS-MATCHING	-,300OHM/75OHM,NTSC,40-89	
RCA/CA	AA39-40001F	33394-100-163	CABLE-RCA	-,RCA,150MM,0.12/10,WHT/R	
USER/M	AA68-10752A		MANUAL-USERS	WP100,-,-,ENG KCT51A SEA,	
RE/CARD	AA68-40031A	34779-0005-000	CARD-REGISTRATION	-,W/P 100(G),-,WHT,SEA,-	
W/CARD	AA68-40045A	A0120-2010	CARD-WARRANTY	-,-,L1850,WHT,SEA,SECA,WI	
W/CARD	AA68-40071A		CARD-WARRANTY	W/P100(G),-,-,SEA,-	
			ASSY-CRT		
△ CRT	AA03-10007V	B1320-0207	CRT-COLOR	-,A68KSA30X,+380MG,29",11	
△ D/Y	AA27-50002V	B1148-0029	DEFLECTION-YOKE	-,KY4UL465B/YG29VQAT,29"/	

Loc No	New Code No.	Old Code No.	Description	Specification	Remarks
			ASSY-PCB,CRT		
	*AA97-70001U	*3Y32-00046-010	ASSY-PCB,CRT	- ,KCT52A,27* ,USA,CT-5345/	
PCB	AA41-10459A	36029-0539-000	PCB-CRT	KP2,1,FR-1,330X245X1.6T	BARE PCB
C502	2305-000289	A1102-0291	C-FILM,MPEF	220NF,5%,63V,-,5MM,TP	
C503	2401-000832	31607-401-690	C-AL	220UF,20%,25V,GP,8X11MM,5	
C504	2202-000162	A1100-0824	C-CERAMIC,MLC-AXIAL	15PF,5%,50V,SL,3.5X19MM,-	
C505	2202-000287	A1100-0821	C-CERAMIC,MLC-AXIAL	5PF,0.5PF,50V,NPO,-,7.5MM	
C506	2202-000287	A1100-0821	C-CERAMIC,MLC-AXIAL	5PF,0.5PF,50V,NPO,-,7.5MM	
C507	2201-000556	31417-106-090	C-CERAMIC,DISC	470PF,10%,500V,Y5P,6X3.5M	
C508	2201-000556	31417-106-090	C-CERAMIC,DISC	470PF,10%,500V,Y5P,6X3.5M	
C509	2201-000556	31417-106-090	C-CERAMIC,DISC	470PF,10%,500V,Y5P,6X3.5M	
C510	2401-001232	31607-403-480	C-AL	4.7UF,20%,250V,GP,10X12.5	
C511	2306-000212	A1102-0317	C-FILM,MPPF	470NF,20%,250V,-,22.5MM,B	
C512	2306-000212	A1102-0317	C-FILM,MPPF	470NF,20%,250V,-,22.5MM,B	
C514	2201-000379	31417-109-220	C-CERAMIC,DISC	22NF,+80-20%,50V,Y5V,8.0X	
C515	31607-403-490		C-ELECTROLYTIC	CE04W TAPG 250V 10M-M	
C516	2306-000212	A1102-0317	C-FILM,MPPF	470NF,20%,250V,-,22.5MM,B	
C517	A1100-0831		C-CERAMIC	CK 45 Z4V 3KV T 103-Z HCF	
C519	2401-000832	31607-401-690	C-AL	220UF,20%,25V,GP,8X11MM,5	
C520	2306-000122	B1102-0318	C-FILM,MPPF	100NF,5%,50V,7.3X4.0X5.0M	
CN501	33347-110-410		POST-HEADER	67094-010(AUTO)	
CN501	AA39-20025E	33058-015-016	LEAD-CONNECTOR,ASSY	- ,67096-010,S,10P,400,100	
CNV02	33347-108-140		POST-HEADER	67094-006 (AUTO)	
CNV02	AA39-20027C	33058-017-020	LEAD-CONNECTOR,ASSY	- ,67096-006,S,6P,500,1007	
D501	32167-406-480		DIODE	1N4148 TAPG	
D503	0402-000129	32167-201-070	DIODE-RECTIFIER	1N4003,200V,1A,DO-41	
D504	32167-406-480		DIODE	1N4148 TAPG	
D505	32167-406-480		DIODE	1N4148 TAPG	
D506	32167-406-480		DIODE	1N4148 TAPG	
D507	32167-406-480		DIODE	1N4148 TAPG	
DZ501	0403-000655	32167-406-150	DIODE-ZENER	MTZ13A,13V,12.11-12.75V,5	
DZ502	0403-000662	32167-441-002	DIODE-ZENER	MTZ3.0B,3.0V,3.01-3.22V,5	
DZ503	0403-000655	32167-406-150	DIODE-ZENER	MTZ13A,13V,12.11-12.75V,5	
DZ504	0403-000655	32167-406-150	DIODE-ZENER	MTZ13A,13V,12.11-12.75V,5	
GT501	33124-111-100		GT-PIN	1P AUTO	
GT502	33124-111-100		GT-PIN	1P AUTO	
△ Q501	32137-301-720		TRANSISTOR	KSC 815-Y(TAPG)/YTAM	
R501	2001-000429	31018-177-102	R-CARBON	1KOHM,5%,1/8W,AA,TP,1.8X3	
△ R502	2004-001397	A1006-0741	R-METAL(S)	4.7KOHM,1%,1/2W,AA,TP,2.4	
△ R503	2004-001402	A1006-0672	R-METAL(S)	6.8KOHM,1%,1/2W,AA,TP,2.4	
R505	2001-000449	31018-177-222	R-CARBON	2.2KOHM,5%,1/8W,AA,TP,1.8	
R506	2001-000449	31018-177-222	R-CARBON	2.2KOHM,5%,1/8W,AA,TP,1.8	
R507	2001-000449	31018-177-222	R-CARBON	2.2KOHM,5%,1/8W,AA,TP,1.8	
△ R508	2004-001970	A1006-1005	R-METAL(S)	1.8KOHM,1%,1/2W,AA,TP,6.5	
△ R509	2004-001970	A1006-1005	R-METAL(S)	1.8KOHM,1%,1/2W,AA,TP,6.5	
△ R510	2004-001970	A1006-1005	R-METAL(S)	1.8KOHM,1%,1/2W,AA,TP,6.5	
△ R511	31049-375-114		R-METAL,FILM	RM 1/2T 110K-F	
△ R512	31049-375-114		R-METAL,FILM	RM 1/2T 110K-F	
△ R513	31049-375-114		R-METAL,FILM	RM 1/2T 110K-F	
R514	2001-000490	31018-177-201	R-CARBON	200OHM,5%,1/8W,AA,TP,1.8X	
R515	2001-000490	31018-177-201	R-CARBON	200OHM,5%,1/8W,AA,TP,1.8X	
R516	2001-000490	31018-177-201	R-CARBON	200OHM,5%,1/8W,AA,TP,1.8X	
△ R517*	31028-328-272		R-COMPOSITION	RC 1/2T 2.7K-K/ERC-12GK 2	
△ R518*	31028-328-272		R-COMPOSITION	RC 1/2T 2.7K-K/ERC-12GK 2	
△ R519*	31028-328-272		R-COMPOSITION	RC 1/2T 2.7K-K/ERC-12GK 2	
R520	2001-001090	31018-377-105	R-CARBON(S)	1MOHM,5%,1/2W,AB,TP,2.4X6	
R522	2001-000037	31018-377-331	R-CARBON(S)	330OHM,5%,1/2W,AA,TP,2.4X	
△ R523	A1010-0094		R-FUSIBLE	RF 2 RT 470-J	

Loc No	New Code No.	Old Code No	Description	Specification	Remarks
△ R524	31028-328-472		R-COMPOSITION	RC 1/2T 4.7K-K/ERC-12GL 4	
△ R525	A1010-0061		R-FUSIBLE	RF 2 RT 010-J	
R526	2001-000281	31018-177-101	R-CARBON	1000HM,5%,1/8W,AA,TP,1.8X	
△ V999	33359-063-650		SOCKET-CRT	DHE-A90-700	
			ASSY-H/S,TR		
△ IC501	*3Y84-70048-010 32119-110-111		ASSY-H/S,TR IC	33013-0137-000 TDA6101Q S TDA6101Q ZIP	CKD S.N.A
			ASSY-H/S,TR		
△ IC502	*3Y84-70048-010 32119-110-111		ASSY-H/S,TR IC	33013-0137-000 TDA6101Q S TDA6101Q ZIP	CKD S.N.A
			ASSY-H/S,TR		
△ IC503	*3Y84-70048-010 32119-110-111		ASSY-H/S,TR IC	33013-0137-000 TDA6101Q S TDA6101Q ZIP	CKD S.N.A
			ASSY-PCB A/V		
	*AA97-90003N		ASSY-PCB A/V	-,TXE25,2749,KCT52A,-,-,S	
PCB	AA41-10329A	36029-0369-000	PCB-F/AV	KV2,1,FR-1,245X245X1.6T	BARE PCB
CE60	2401-000480	31607-402-250	C-AL	10UF,20%,50V,GP,5X11MM,5M	
CE61	2401-000480	31607-402-250	C-AL	10UF,20%,50V,GP,5X11MM,5M	
CN602B	AA39-20069D	36434-0009-040	LEAD-CONNECTOR,ASSY	-,YBNH025-05,67096-005,5P	
CN701B	AA39-20112D	36434-0089-030	LEAD-CONNECTOR,ASSY	-,YBNH025-09,67096-009,9P	
JB01	A3040-0201		JACK-RCA,BLOCK	PI3.6 V-F3 3P S/W	
JE60	3722-000143	33339-521-070	JACK-PHONE	1P,3.4MM,-,MBAG	
RE60	2001-001077	31018-377-151	R-CARBON(S)	1500HM,5%,1/2W,AA,TP,2.4X	
RE61	2001-001077	31018-377-151	R-CARBON(S)	1500HM,5%,1/2W,AA,TP,2.4X	
			REMOCON		
	*AA59-10073B		REMOCON	DP,TM48,-,-,AA59-10032G,-	
			ASSY-CABINET		
	*AA92-30095C		ASSY-CABINET,FRONT	TXE2745/UCX	
CRT+CF	37124-100-830		SCREW-CRT	RH5X35 FE FZY	
CB+CF	37148-540-153		SCREW-TAP,RH	2S-4X15 FE FZB	
CB+RCA	37148-540-153		SCREW-TAP,RH	2S-4X15 FE FZB	
PA+CF	AA60-10002A	37144-001-210	SCREW-TAPPING	-,RH,+,M4,L12,ZPC(YEL) OD	
SP/FELT	AA63-60001Q	36844-112-360	SPACER-FELT	-,FELT,TO.35,-,150X8,-	
BACK/C	AA64-30660A	32000-0175-000	CABINET-BACK	-,HIPS,VO,-,BLK,-,6845/46	
I-BACK	AA64-60052B	34012-0207-020	INLAY-BACK	-,PS,TO.5,-,BLK,KP-2 USA,	
C/CORD	AA65-30008A	36633-101-610	CLAMP-CORD	-,PE,HB,BLK,-,-	
CLMP,D	AA65-30017A	36635-002-010	CLAMP-D,COIL	-,NYLON-66,VO,NTR,DADH300	
KC+CF	37148-540-153		SCREW-TAP,RH	2S-4X15 FE FZB	
RMC+CF	37148-540-153		SCREW-TAP,RH	2S-4X15 FE FZB	
SPK+CF	37148-540-153		SCREW-TAP,RH	2S-4X15 FE FZB	
SUP-CRT	AA61-40042A	33073-0016-000	SUPPORT-CRT	-,HIPS,VO,BLK,-,-,6846	
STO-PCB	AA61-40053A	33383-0004-000	STOPPER-PCB	-,HIPS,HB,-,WHT,ALL MODEL	
SPRG/CS	AA61-60003E	36674-137-820	SPRING-CS	-,-,SUS304,PI0.5,-,-,-	
KNOPOW	AA64-10343A	34083-0246-000	KNOB-POWER	-,ABS,HB,BLK,-,6845,46	
KNOCONT	AA64-10344A	34083-0247-000	KNOB-CONTROL	-,ABS,HB,BLK,-,6845,46	
FRONT/C	AA64-30658A	32000-0174-000	CABINET-FRONT	-,HIPS,VO,-,BLK,PA100 KP2	
WIN/RE	AA64-40241A	34073-0109-000	WINDOW-REMOCON	-,PC,-,-,-,6845,46,-	
IND/LED	AA64-40247A	34163-0062-000	INDICATOR-LED	-,ACRYL,HB,-,-,6845,46,-	

Loc No.	New Code No.	Old Code No.	Description	Specification	Remarks
I-AV	AA64-60278B	34013-0294-010	INLAY-AV	-,PS,T0.3,-,BLK,NTSC,-	
BADGE	AA64-70010A	34533-0074-000	BADGE-BRAND	-,AL,-,L50,SILVER,FLAT SS	
C/WIRE	AA65-30010A	36634-111-010	CLAMP-WIRE	-,NYLON-66,V0,NTR,-,-	

### 6-4-2.TXE2745 and TXE2746 Disimilar Parts

ASSY-PCB,MAIN(COM)					
	*AA97-10031Q		ASSY-PCB,MAIN(COM)	TXE2746/UCX,KCT52A,SEA,NO	
US0077	34503-0100-000		STICKER-RATING	TETRON PAPER 90(G) ALL	
ASSY-ACCESSORY					
USER/M	AA68-10756A		MANUAL-USERS	WP100,-,-,ENG,UNIV,KCT51A	
REMOCON					
	*AA59-10030F		REMOCON	-,TM49,FM292EV,40,WHT,SS	
ASSY-CABINET,FRONT					
	*AA92-30095B		ASSY-CABINET,FRONT	TXE2746/UCX	
G/WOO,R	AA63-50189A		GRILLE-WOOFER,R	-,SECC,-,T0.5,-,PA110 P10	
G/WOO,L	AA63-50189B		GRILLE-WOOFER,L	-,SECC,-,T0.5,-,PA110 P10	

### 6-4-3.TXE2745 and TXE2749 Disimilar Parts

ASSY-PCB,MAIN(COM)					
	*AA97-10031R		ASSY-PCB,MAIN(COM)	TXE2749/UCX,KCT52A,SEA,PI	
CNK01*	33347-114-810		POST-HEADER	YW025-04(AUTO)	
CNK02*	33347-110-150		POST-HEADER	67094-008 (AUTO)	
CNK03*	33347-110-110		POST-HEADER	67094-009 (AUTO)	
H/CORD	AA61-20045A		HOLDER-CORD	-,PP,V0,BLK,DO,-	
△QU04*	32137-301-720		TRANSISTOR	KSC 815-Y(TAPG)/YTAM	
RJ04	2001-000007		R-CARBON	3KOHM,5%,1/8W,AA,TP,1.8X3	
RJ05	2001-000007		R-CARBON	3KOHM,5%,1/8W,AA,TP,1.8X3	
RJ06	2001-000007		R-CARBON	3KOHM,5%,1/8W,AA,TP,1.8X3	
RJ11*	2001-000429		R-CARBON	1KOHM,5%,1/8W,AA,TP,1.8X3	
RJ14*	2001-000221		R-CARBON	1.2KOHM,5%,1/8W,AA,TP,1.8	
RJ15*	2001-000221		R-CARBON	1.2KOHM,5%,1/8W,AA,TP,1.8	
RJ16*	2001-000221		R-CARBON	1.2KOHM,5%,1/8W,AA,TP,1.8	
US0076	34503-0100-000		STICKER-RATING	TETRON PAPER 90(G) ALL	
ASSY-PCB PIP					
	*AA97-90003D		ASSY-PCB PIP	DP,CT6846,KCT52A,SEA/SECA	
PCB	36029-0578-000		P.C.B-PIP	T1.6 W74 L99 P67/KCT52A F	BARE PCB
CKP401	2401-000480		C-AL	10UF,20%,50V,GP,5X11MM,5M	
CKP402	2401-000480		C-AL	10UF,20%,50V,GP,5X11MM,5M	
CKP403	2401-000302		C-AL	100UF,20%,25V,GP,6X11MM,5	



Loc No	New Code No.	Old Code No	Description	Specification	Remarks
CKP404	2401-000480		C-AL	10UF, 20%, 50V, GP, 5X11MM, 5M	
CKP405	2401-000480		C-AL	10UF, 20%, 50V, GP, 5X11MM, 5M	
CKP801	2401-001101		C-AL	330UF, 20%, 16V, GP, 8X12MM, 5	
CNK01	AA39-20052A		LEAD-CONNECTOR, ASSY	-, YBNH025-04, YSH025-04, 4P	
CNK02	AA39-20107C		LEAD CONNECTOR-ASSY	-, YBNH250-04, YSH025-04, 4,	
CNK03	AA39-20112E		LEAD-CONNECTOR, ASSY	-, YBNH025-09, 67096-009, 9P	
CNK04	AA39-20468C		LEAD CONNECTOR-ASSY	-, YBNH250-03, 67096-003, 3,	
CNK05	AA39-20107C		LEAD CONNECTOR-ASSY	-, YBNH250-04, YSH025-04, 4,	
CNK05	AA39-20468C		LEAD CONNECTOR-ASSY	-, YBNH250-03, 67096-003, 3,	
CP101	2306-000122		C-FILM, MPPF	100NF, 5%, 50V, 7.3X4.0X5.0M	
CP105	2301-000246		C-FILM, PEF	33NF, 5%, 100V, 7X5.0X9.5MM,	
CP106	2301-000232		C-FILM, PEF	3.3NF, 5%, 50V, 8.1X4.5X13MM	
CP107	2306-000122		C-FILM, MPPF	100NF, 5%, 50V, 7.3X4.0X5.0M	
CP108	2306-000122		C-FILM, MPPF	100NF, 5%, 50V, 7.3X4.0X5.0M	
CP109	2301-000232		C-FILM, PEF	3.3NF, 5%, 50V, 8.1X4.5X13MM	
CP112	2305-000411		C-FILM, MPEF	470NF, 5%, 50V, 7.3X4.8X5.5M	
CP113	2306-000122		C-FILM, MPPF	100NF, 5%, 50V, 7.3X4.0X5.0M	
CP114	31607-402-090		C-ELECTROLYTIC	CE04W TAPG 35V 47M-M	
CP115	2306-000122		C-FILM, MPPF	100NF, 5%, 50V, 7.3X4.0X5.0M	
CP205	2401-000587		C-AL	1UF, 20%, 50V, BP, 6X11MM, 5MM	
CP207	2401-000603		C-AL	1UF, 20%, 50V, GP, 5X11MM, 5MM	
CP208	2401-000603		C-AL	1UF, 20%, 50V, GP, 5X11MM, 5MM	
CP209	2401-000603		C-AL	1UF, 20%, 50V, GP, 5X11MM, 5MM	
CP210	2401-000603		C-AL	1UF, 20%, 50V, GP, 5X11MM, 5MM	
CP214	2401-001495		C-AL	47UF, 20%, 16V, GP, 5X11MM, 5M	
CP216	2401-001495		C-AL	47UF, 20%, 16V, GP, 5X11MM, 5M	
CP303	2401-001495		C-AL	47UF, 20%, 16V, GP, 5X11MM, 5M	
CP308	2401-001495		C-AL	47UF, 20%, 16V, GP, 5X11MM, 5M	
CP311	2401-001495		C-AL	47UF, 20%, 16V, GP, 5X11MM, 5M	
DP301	32167-406-480		DIODE	1N4148 TAPG	
DP302	32167-406-480		DIODE	1N4148 TAPG	
DP303	32167-406-480		DIODE	1N4148 TAPG	
DP304	32167-406-480		DIODE	1N4148 TAPG	
△ DZ101	0403-000563		DIODE-ZENER	MTZ9.1B, 9.1V, 8.57-9.01V, 5	
△ DZK801	32167-406-080		DIODE-ZENER	MTZ 5.1B	
H/PCB	AA61-20162A		HOLDER-PCB	-, HIPS, VO, BLK, -, 6345, 6845	
ICK401	32119-101-870		IC	LA 7952	
ICP101	32119-110-091		IC	TDA9160A	
ICP201	1002-000206		IC-A/D CONVERTER	SDA9187-2X, 6BIT, SOP, 28P, 3	
ICP301	1204-000438		IC-PICTURE PROCESS	SDA9188-3X, SOP, 28P, 350MIL	
JP17	2001-000745		R-CARBON	4.7OHM, 5%, 1/8W, AA, TP, 1.8X	
LP201	2701-000197		INDUCTOR-AXIAL	5.6UH, 10%, 2.5X3.4MM	
LP202	2701-000114		INDUCTOR-AXIAL	10UH, 10%, 2.5X3.4MM	
LP301	2701-000197		INDUCTOR-AXIAL	5.6UH, 10%, 2.5X3.4MM	
LP302	2701-000114		INDUCTOR-AXIAL	10UH, 10%, 2.5X3.4MM	
LP303	2701-000114		INDUCTOR-AXIAL	10UH, 10%, 2.5X3.4MM	
QKP401	0501-000340		TR-SMALL SIGNAL	KSC1623, NPN, 60V, 50V, 100MA	
QKP402	0501-000340		TR-SMALL SIGNAL	KSC1623, NPN, 60V, 50V, 100MA	
QKP403	0501-000340		TR-SMALL SIGNAL	KSC1623, NPN, 60V, 50V, 100MA	
QKP404	0501-000340		TR-SMALL SIGNAL	KSC1623, NPN, 60V, 50V, 100MA	
QP120	0501-000280		TR-SMALL SIGNAL	KSA1182, PNP, -35V, -30V, -50	
QP201	0501-000340		TR-SMALL SIGNAL	KSC1623, NPN, 60V, 50V, 100MA	
QP202	0501-000340		TR-SMALL SIGNAL	KSC1623, NPN, 60V, 50V, 100MA	
QP203	0501-000340		TR-SMALL SIGNAL	KSC1623, NPN, 60V, 50V, 100MA	
QP204	0501-000280		TR-SMALL SIGNAL	KSA1182, PNP, -35V, -30V, -50	
QP301	0501-000340		TR-SMALL SIGNAL	KSC1623, NPN, 60V, 50V, 100MA	
QP302	0501-000280		TR-SMALL SIGNAL	KSA1182, PNP, -35V, -30V, -50	
QP303	0501-000280		TR-SMALL SIGNAL	KSA1182, PNP, -35V, -30V, -50	
QP304	0501-000280		TR-SMALL SIGNAL	KSA1182, PNP, -35V, -30V, -50	
RKP801	2001-000109		R-CARBON(S)	470OHM, 5%, 1/2W, AA, TP, 2.4X	
△ RKP802	2003-000532		R-METAL OXIDE(S)	18OHM, 5%, 2W, AD, TP, 4X12MM	
RP111	2001-000780		R-CARBON	470OHM, 5%, 1/8W, AA, TP, 1.8X	

Loc No	New Code No.	Old Code No	Description	Specification	Remarks
RP116	2001-000449		R-CARBON	2.2KOHM,5%,1/8W,AA,TP,1.8	
RP202	2001-001077		R-CARBON(S)	150OHM,5%,1/2W,AA,TP,2.4X	
RP301	2001-000281		R-CARBON	100OHM,5%,1/8W,AA,TP,1.8X	
RP302	2001-000281		R-CARBON	100OHM,5%,1/8W,AA,TP,1.8X	
SCREW	37154-101-213		SCREW-WASHER,SPEC	2S-3X10 FE FZB	
△ XP103	2801-000229		CRYSTAL-UNIT	3.579545MHZ,30PPM,28-AAM,	
△ XP301	2802-000121		RESONATOR-CERAMIC	20.48MHZ,0.5%,TP,10.0X5.0	
ASSY-ACCESSORY					
USER/M	AA68-10756A		MANUAL-USERS	WP100,-,-,ENG,UNIV,KCT51A	
REMOCON					
	AA59-10030G		REMOCON	-,TM49,FM292EV,46,WHT,SS	
ASSY-CABINET					
	*AA92-30095D		ASSY-CABINET,FRONT	TXE2749/UCX	
G/WOO,R	AA63-50189A		GRILLE-WOOFER,R	-,SECC,-,T0.5,-,PA110 P10	
G/WOO,L	AA63-50189B		GRILLE-WOOFER,L	-,SECC,-,T0.5,-,PA110 P10	

Loc No	New Code No.	Old Code No	Description	Specification	Remarks
C241	2201-000234	31407-105-700	C-CERAMIC,DISC	150PF,5%,50V,NPO,10X3.5MM	
C242	2401-000480	31607-402-250	C-AL	10UF,20%,50V,GP,5X11MM,5M	
C244	2401-000480	31607-402-250	C-AL	10UF,20%,50V,GP,5X11MM,5M	
C251	2401-000480	31607-402-250	C-AL	10UF,20%,50V,GP,5X11MM,5M	
C252	2401-000405	31607-803-120	C-AL	10UF,20%,16V,BP,6X11MM,5M	
C253	2401-001495	31607-401-460	C-AL	47UF,20%,16V,GP,5X11MM,5M	
C301	2202-000121	A1100-0798	C-CERAMIC,MLC-AXIAL	100PF,10%,50V,Y5P,1.9X3.5	
C302	A1102-0303		C-FILM	CF 922 N 100V T 154-J -40	
C303	2301-000125	31507-121-920	C-FILM,PEF	100NF,20%,100V,14.5X5.7X8	
C304	2301-000125	31507-121-920	C-FILM,PEF	100NF,20%,100V,14.5X5.7X8	
C305	2202-000173	A1100-0338	C-CERAMIC,MLC-AXIAL	1NF,10%,50V,Y5P,1.9X3.5MM	
C306	2401-001397	A1104-0012	C-AL	470UF,20%,25V,GP,10X16MM,	
C307	2401-001569	A1104-0512	C-AL	47UF,20%,50V,BP,10X12.5MM	
C308	2201-000108	31417-901-680	C-CERAMIC,DISC	1.5NF,10%,1KV,Y5P,-,5MM,T	
△ C401*	2301-000148	31507-137-013	C-FILM,PEF	10NF,5%,100V,7X3.2X7MM,5M	
C402*	A1102-0212		C-FILM	CF 922 P 1.6KV T 123-J BU	
C404*	A1102-0409		C-FILM	CF 922 P 400V T 564-J -40	
C405*	31517-390-502		C-M,POLYESTER	CFS922M TAPG 250V 104-J	
C406	2201-000556	31417-106-090	C-CERAMIC,DISC	470PF,10%,500V,Y5P,6X3.5M	
C407	2401-001397	A1104-0012	C-AL	470UF,20%,25V,GP,10X16MM,	
C408	2201-000556	31417-106-090	C-CERAMIC,DISC	470PF,10%,500V,Y5P,6X3.5M	
C409	2401-001662	31607-403-070	C-AL	68UF,20%,100V,GP,10X16MM,	
C411	2201-000556	31417-106-090	C-CERAMIC,DISC	470PF,10%,500V,Y5P,6X3.5M	
C412	2401-000927	31607-403-500	C-AL	22UF,20%,250V,GP,13X20MM,	
C413	2401-000302	31607-401-680	C-AL	100UF,20%,25V,GP,6X11MM,5	
C414	2201-000639	31417-901-410	C-CERAMIC,DISC	680PF,10%,2KV,Y5P,-,5MM,T	
C415	A1102-0372		C-FILM	VEND: ♂ □ 2 ⊗ □ □ 922 P 63	
C417	2201-000599	31417-468-561	C-CERAMIC,DISC	560PF,10%,500V,Y5P,6X4MM,	
C418	2401-001570	31607-402-470	C-AL	47UF,20%,50V,GP,10X20MM,5	
C419*	A1102-0348		C-FILM	CF 922 P 1.6KV T 632-H -2	
C601*	2202-000295	A1100-0797	C-CERAMIC,MLC-AXIAL	68PF,5%,50V,SL,3.5X19MM,-	
C603	2306-000122	B1102-0318	C-FILM,MPPF	100NF,5%,50V,7.3X4.0X5.0M	
C604	2301-000198	31507-137-005	C-FILM,PEF	2.2NF,5%,100V,10.5X12.5X6	
C605	2301-000223	31507-137-016	C-FILM,PEF	22NF,5%,100V,7.2X4.5X9.0M	
C606	2301-000223	31507-137-016	C-FILM,PEF	22NF,5%,100V,7.2X4.5X9.0M	
C607	2301-000192	31507-127-000	C-FILM,PEF	1NF,5%,50V,5.3X10MM,5MM,T	
C608	2301-000301	31507-127-017	C-FILM,PEF	6.8NF,5%,50V,6.5X5.5X3.0X	
C609	2306-000122	B1102-0318	C-FILM,MPPF	100NF,5%,50V,7.3X4.0X5.0M	
C610	2301-000301	31507-127-017	C-FILM,PEF	6.8NF,5%,50V,6.5X5.5X3.0X	
C611	2306-000122	B1102-0318	C-FILM,MPPF	100NF,5%,50V,7.3X4.0X5.0M	
C612	2401-000587	31607-803-280	C-AL	1UF,20%,50V,BP,6X11MM,5MM	
C613	2401-000587	31607-803-280	C-AL	1UF,20%,50V,BP,6X11MM,5MM	
C614	2401-001397	A1104-0012	C-AL	470UF,20%,25V,GP,10X16MM,	
C615	2301-000320	31507-127-021	C-FILM,PEF	82NF,5%,50V,8.0X4.5X8.5MM	
C616	2201-000642	31417-104-270	C-CERAMIC,DISC	680PF,10%,50V,Y5P,4.0X4.0	
C617	2401-000480	31607-402-250	C-AL	10UF,20%,50V,GP,5X11MM,5M	
C618	2401-000480	31607-402-250	C-AL	10UF,20%,50V,GP,5X11MM,5M	
C619	2401-000947	31607-402-070	C-AL	22UF,20%,35V,GP,5X11MM,-,	
C620	2401-000947	31607-402-070	C-AL	22UF,20%,35V,GP,5X11MM,-,	
C623	2401-001026	31607-402-230	C-AL	3.3UF,20%,50V,GP,5X11MM,5	
C624	2401-001026	31607-402-230	C-AL	3.3UF,20%,50V,GP,5X11MM,5	
C625*	2201-000673	31417-104-170	C-CERAMIC,DISC	820PF,10%,50V,Y5P,4X3.5MM	
C626*	2201-000673	31417-104-170	C-CERAMIC,DISC	820PF,10%,50V,Y5P,4X3.5MM	
C627	2401-000706	31607-401-770	C-AL	2200UF,20%,25V,GP,16X25MM	
C632	2401-000480	31607-402-250	C-AL	10UF,20%,50V,GP,5X11MM,5M	
C633	2401-000480	31607-402-250	C-AL	10UF,20%,50V,GP,5X11MM,5M	
C634	31607-402-200		C-ELECTROLYTIC	CE04W TAPG 50V 0.47M	
C637	2301-000192	31507-127-000	C-FILM,PEF	1NF,5%,50V,5.3X10MM,5MM,T	
C701	2401-000269	31607-401-470	C-AL	100UF,20%,16V,GP,6X11MM,5	
C702	2401-000480	31607-402-250	C-AL	10UF,20%,50V,GP,5X11MM,5M	
C703	2401-000480	31607-402-250	C-AL	10UF,20%,50V,GP,5X11MM,5M	
C704	2401-000480	31607-402-250	C-AL	10UF,20%,50V,GP,5X11MM,5M	

Loc No	New Code No.	Old Code No.	Description	Specification	Remarks
C707	2401-000480	31607-402-250	C-AL	10UF, 20%, 50V, GP, 5X11MM, 5M	
C708	2401-000480	31607-402-250	C-AL	10UF, 20%, 50V, GP, 5X11MM, 5M	
C709	2401-000480	31607-402-250	C-AL	10UF, 20%, 50V, GP, 5X11MM, 5M	
C710	2401-000480	31607-402-250	C-AL	10UF, 20%, 50V, GP, 5X11MM, 5M	
C711	2306-000122	B1102-0318	C-FILM, MPPF	100NF, 5%, 50V, 7.3X4.0X5.0MM	
C712*	31607-401-500		C-ELECTROLYTIC	CE04W TAPG 16V 470M-M(SG)	
C801*	2401-001386	31609-979-001	C-AL	470UF, 20%, 250V, GP, 22X50MM	
C802	31467-102-010		C-CERAMIC, AC	CK45P TAPG E250V 222-M(T2	
C803	31467-102-010		C-CERAMIC, AC	CK45P TAPG E250V 222-M(T2	
△ C804*	31469-504-060		C-CERAMIC, AC	ECK-DNS472MEX/E400V 472(T	
C805	31417-901-400		C-CERAMIC, HIC	CK45(T) B2KV 561-K	
C806	2401-001105	A1104-0526	C-AL	330UF, 20%, 200V, GP, 22X35MM	
C807	2201-000599	31417-468-561	C-CERAMIC, DISC	560PF, 10%, 500V, Y5P, 6X4MM,	
C808	A1104-0740		C-ELEC	CE 04 -55/105 25V T 471-M	
C809	2401-000287	A1104-0368	C-AL	100UF, 20%, 16V, WT, 5X11MM, 5	
C810	2401-000611	A1104-0524	C-AL	1UF, 20%, 50V, WT, 5X11MM, 5MM	
C811	2401-000269	31607-401-470	C-AL	100UF, 20%, 16V, GP, 6X11MM, 5	
C812	2401-000287	A1104-0368	C-AL	100UF, 20%, 16V, WT, 6X11MM, 5	
C813	2401-001513	A1104-0461	C-AL	47UF, 20%, 16V, WT, 5X11MM, 5M	
△ C814	2305-000283	31569-201-230	C-FILM, MPEF	220NF, 20%, 250V, 32X12.0X18	
△ C815	31607-403-990		C-ELECTROLYTIC	CE04W TAPG 200V 100M-M(16	
△ C816	2401-000166	A1104-0534	C-AL	1000UF, 20%, 25V, WT, 13X20MM	
△ C817	2303-000159	31509-391-090	C-FILM, PPF	2.2NF, 5%, 1.6KV, 28X13.5X8,	
C818	2401-000493	A1104-0577	C-AL	10UF, 20%, 50V, WT, 5X11MM, 5M	
C819	2201-000599	31417-468-561	C-CERAMIC, DISC	560PF, 10%, 500V, Y5P, 6X4MM,	
△ C820	2401-000166	A1104-0534	C-AL	1000UF, 20%, 25V, WT, 13X20MM	
C821	2301-000192	31507-127-000	C-FILM, PEF	1NF, 5%, 50V, 5.3X10MM, 5MM, T	
C850	2401-000808	31607-401-480	C-AL	220UF, 20%, 16V, GP, 8X11MM, 5	
C851	A1104-0770		C-ELEC	CE 04 -40/+105 35V T 471-	
C852*	31607-402-110		C-ELECTROLYTIC	CE04W TAPG 35V 220M-M	
C853	2401-000395	31607-403-210	C-AL	10UF, 20%, 160V, GP, 10X12.5M	
△ C854	2305-000407	A1102-0324	C-FILM, MPEF	470NF, 5%, 100V, -, 5MM, TP	
C855*	2201-000599	31417-468-561	C-CERAMIC, DISC	560PF, 10%, 500V, Y5P, 6X4MM,	
C856*	2401-000901	31607-403-220	C-AL	22UF, 20%, 160V, GP, 10X20MM,	
△ C861	2401-000240	31607-401-840	C-AL	100UF, 20%, 10V, GP, 6X11MM, 5	
C862	2401-000480	31607-402-250	C-AL	10UF, 20%, 50V, GP, 5X11MM, 5M	
C901	2401-001495	31607-401-460	C-AL	47UF, 20%, 16V, GP, 5X11MM, 5M	
C902	2202-000173	A1100-0338	C-CERAMIC, MLC-AXIAL	1NF, 10%, 50V, Y5P, 1.9X3.5MM	
C903	2401-001495	31607-401-460	C-AL	47UF, 20%, 16V, GP, 5X11MM, 5M	
C904	2202-000173	A1100-0338	C-CERAMIC, MLC-AXIAL	1NF, 10%, 50V, Y5P, 1.9X3.5MM	
C905	31607-402-200		C-ELECTROLYTIC	CE04W TAPG 50V 0.47M	
C906*	2201-000611	31407-105-280	C-CERAMIC, DISC	56PF, 5%, 50V, NPO, 6.3X3MM, 5	
C907	2401-001495	31607-401-460	C-AL	47UF, 20%, 16V, GP, 5X11MM, 5M	
C908	2201-000600	31417-104-560	C-CERAMIC, DISC	560PF, 10%, 50V, Y5P, 4X3.5MM	
C909	2201-000651	31407-105-300	C-CERAMIC, DISC	68PF, 5%, 50V, NPO, 8X3, 5, TP	
C911	2401-000808	31607-401-480	C-AL	220UF, 20%, 16V, GP, 8X11MM, 5	
C912	2301-000380	31507-127-006	C-FILM, PEF	10NF, 5%, 50V, 6.5X3MM, 5MM, T	
C913	2202-000127	A1100-0803	C-CERAMIC, MLC-AXIAL	10NF, +80-20%, 25V, Y5V, -, 7.	
C914	2202-000173	A1100-0338	C-CERAMIC, MLC-AXIAL	1NF, 10%, 50V, Y5P, 1.9X3.5MM	
CB19	2303-000253	31509-335-040	C-FILM, PPF	47NF, 5%, 200V, 20X17X8.0MM,	
CB19*	2306-000319	A1102-0406	C-FILM, MPPF	33NF, 10%, 400V, -, 7.5MM, TP	
CB20	2303-000191	31509-335-170	C-FILM, PPF	270NF, 5%, 200V, 20X17X8.0MM	
CE01*	2301-000380	31507-127-006	C-FILM, PEF	10NF, 5%, 50V, 6.5X3MM, 5MM, T	
CE02*	2305-000407	A1102-0324	C-FILM, MPEF	470NF, 5%, 100V, -, 5MM, TP	
CE03*	2305-000407	A1102-0324	C-FILM, MPEF	470NF, 5%, 100V, -, 5MM, TP	
△ CFN01*	AA29-10001B	37169-0002-000	FILTER-COMB	-, CFM102, NTSC, -	
CN502*	33347-110-410		POST-HEADER	67094-010(AUTO)	
CN601	33347-114-810		POST-HEADER	YW025-04(AUTO)	
CN602*	33347-108-180		POST-HEADER	67094-005(AUTO)	
CN701*	33347-110-110		POST-HEADER	67094-009(AUTO)	
CN905*	33347-108-180		POST-HEADER	67094-005(AUTO)	
△ CNN01*	AA59-40001U	A1294-0057	MODULE-MTS	-, MZ-200, ZENITH, USA, 54X44	

Loc No.	New Code No.	Old Code No.	Description	Specification	Remarks
CNV02*	33347-108-140		POST-HEADER	67094-006 (AUTO)	
CP01	2202-000109	A1100-0340	C-CERAMIC,MLC-AXIAL	100NF,+80-20%,50V,Y5P,1.9	
CP02	2202-000109	A1100-0340	C-CERAMIC,MLC-AXIAL	100NF,+80-20%,50V,Y5P,1.9	
CP03	2202-000109	A1100-0340	C-CERAMIC,MLC-AXIAL	100NF,+80-20%,50V,Y5P,1.9	
△ CR-MUL	31499-009-120		CR-MULTIPLE	MED-C271,R1-2M	
CJ02*	2202-000109	A1100-0340	C-CERAMIC,MLC-AXIAL	100NF,+80-20%,50V,Y5P,1.9	
CJ04	2401-000480	31607-402-250	C-AL	10UF,20%,50V,GP,5X11MM,5M	
CJ05	2401-000480	31607-402-250	C-AL	10UF,20%,50V,GP,5X11MM,5M	
CJ06	2401-000440	31607-401-430	C-AL	10UF,20%,25V,GP,5X11MM,5M	
CX01*	2401-000480	31607-402-250	C-AL	10UF,20%,50V,GP,5X11MM,5M	
△ D-COIL	AA27-20001N	32479-029-440	COIL-DEGAUSSING	-.29",90HM,50T,L3200,E	
D201	32167-406-480		DIODE	1N4148 TAPG	
D202	0402-000129	32167-201-070	DIODE-RECTIFIER	1N4003,200V,1A,DO-41	
D203	32167-406-480		DIODE	1N4148 TAPG	
D204	32167-406-480		DIODE	1N4148 TAPG	
D205	32167-406-480		DIODE	1N4148 TAPG	
D206	32167-406-480		DIODE	1N4148 TAPG	
D207	32167-406-480		DIODE	1N4148 TAPG	
D208	32167-406-480		DIODE	1N4148 TAPG	
D401	0402-000493	32167-207-120	DIODE-RECTIFIER	1R5GU41,400V,1.5A,DO-15L	
△ D402	0402-000129	32167-201-070	DIODE-RECTIFIER	1N4003,200V,1A,DO-41	
△ D403	0402-000129	32167-201-070	DIODE-RECTIFIER	1N4003,200V,1A,DO-41	
△ D404	0402-000540	B4102-0068	DIODE-RECTIFIER	RJ20A,600V,1.5A,-	
△ D405	0402-000546	32167-201-170	DIODE-RECTIFIER	TVR10G,400V,1.0A,DO-41	
D601	32167-406-480		DIODE	1N4148 TAPG	
D701	32167-406-480		DIODE	1N4148 TAPG	
D702	32167-406-480		DIODE	1N4148 TAPG	
△ D801*	B4104-0112		DIODE-RECT	RBV606LFB 600V 6A ST BRID	
△ D802	32167-406-480		DIODE	1N4148 TAPG	
D804	0402-000213	32167-208-580	DIODE-RECTIFIER	ERB12-06,600V,1.0A,DO-41	
△ D805	0402-000546	32167-201-170	DIODE-RECTIFIER	TVR10G,400V,1.0A,DO-41	
△ D806	0402-000546	32167-201-170	DIODE-RECTIFIER	TVR10G,400V,1.0A,DO-41	
D807*	0402-000493	32167-207-120	DIODE-RECTIFIER	1R5GU41,400V,1.5A,DO-15L	
D808	0402-000546	32167-201-170	DIODE-RECTIFIER	TVR10G,400V,1.0A,DO-41	
D813	32167-406-480		DIODE	1N4148 TAPG	
D903	32167-406-480		DIODE	1N4148 TAPG	
D908	32167-406-480		DIODE	1N4148 TAPG	
D910	32167-406-480		DIODE	1N4148 TAPG	
D951	0402-000129	32167-201-070	DIODE-RECTIFIER	1N4003,200V,1A,DO-41	
D962	32167-406-480		DIODE	1N4148 TAPG	
DB02*	0402-000533	B4114-0014	DIODE-RECTIFIER	FMP-3FU,600/1500V,5A,TO-2	
DU01*	32167-406-480		DIODE	1N4148 TAPG	
DU02*	32167-406-480		DIODE	1N4148 TAPG	
DU03*	32167-406-480		DIODE	1N4148 TAPG	
DU04*	32167-406-480		DIODE	1N4148 TAPG	
DX01*	0402-000546	32167-201-170	DIODE-RECTIFIER	TVR10G,400V,1.0A,DO-41	
DZ101	0403-000700	A4106-0227	DIODE-ZENER	TZP33A,33V,31-35V,1W,DO-4	
DZ301	0403-000690	32167-406-140	DIODE-ZENER	MTZ10,10V,9.4-10.6V,500MW	
DZ302	0403-000690	32167-406-140	DIODE-ZENER	MTZ10,10V,9.4-10.6V,500MW	
DZ303	0403-000658	32167-406-190	DIODE-ZENER	MTZ18A,18V,16.22-17.06V,5	
DZ305	0403-000700	A4106-0227	DIODE-ZENER	TZP33A,33V,31-35V,1W,DO-4	
DZ401	0403-000705	A4106-0205	DIODE-ZENER	TZP8.2B,8.2V,8.2-9.3V,1W,	
DZ402	32167-406-080		DIODE-ZENER	MTZ 5.1B	
△ DZ801	1405-000188	32167-401-041	VARIABLE	430V,1250A,14X7.5MM,TP	
△ DZ802	1405-000188	32167-401-041	VARIABLE	430V,1250A,14X7.5MM,TP	
△ DZ803	0403-000697	A4106-0237	DIODE-ZENER	TZP10A,10V,9.4-10.6V,1W,D	
DZ804	32167-406-080		DIODE-ZENER	MTZ 5.1B	
DZ805	0403-000563	32167-406-130	DIODE-ZENER	MTZ9.1B,9.1V,8.57-9.01V,5	
DZ806	0403-000566	32167-403-780	DIODE-ZENER	MTZ15C,15V,14.35-15.09V,5	
DZ901	32167-406-080		DIODE-ZENER	MTZ 5.1B	
DZ902	32167-401-800		DIODE-ZENER	EQA02-06A/MTZ5.6B(TAPG)	
DZ903	32167-408-080		DIODE-ZENER	EQA02-06D/MTZ6.2B(TAPG)	

Loc No	New Code No.	Old Code No	Description	Specification	Remarks
DZ904	32167-408-080		DIODE-ZENER	EQA02-06D/MTZ6.2B(TAPG)	
DZ905	32167-408-080		DIODE-ZENER	EQA02-06D/MTZ6.2B(TAPG)	
DZ906	32167-408-080		DIODE-ZENER	EQA02-06D/MTZ6.2B(TAPG)	
DZ907	32167-408-080		DIODE-ZENER	EQA02-06D/MTZ6.2B(TAPG)	
DZ908	32167-408-080		DIODE-ZENER	EQA02-06D/MTZ6.2B(TAPG)	
DZE01*	0403-000700	A4106-0227	DIODE-ZENER	TZP33A, 33V, 31-35V, 1W, DO-4	
DZX01*	0403-000667	A4106-0128	DIODE-ZENER	MTZ6.8A, 6.8V, 6.29-6.63V, 5	
EL301	AA60-40011A	33104-107-210	EYELET	-, 1D2.0, OD2.8, -, -, BST	EL301~EL403
EL401	AA60-40011B	33104-107-220	EYELET	-, 1D2.2, OD3.2, -, -, BSP	EL401~EL858
EY401	AA60-40011A	33104-107-210	EYELET	-, 1D2.0, OD2.8, -, -, BST	EY401~EY859
△ F801*	3601-000144	34709-087-170	FUSE-FERRULE	125V, 4A, SLOW BLOW, GLASS, 5	
△ F801A	3602-000114	33167-001-001	FUSE-HOLDER	-, -, 30MΩMM	
△ F801B	3602-000114	33167-001-001	FUSE-HOLDER	-, -, 30MΩMM	
GT-PIN	33124-111-100		GT-PIN	1P AUTO	GT-PIN ALL
GT102	AA39-20010B	33054-834-014	LEAD-CONNECTOR, ASSY	-, YFH800-01, S, 1P, 500, 1617	
H/CORD	AA61-20045A	33323-0001-010	HOLDER-CORD	-, PP, V0, BLK, DO, -	
△ HC101*	AA13-20002V	A4010-0087	IC-HYBRID	-, PAP101T, SIP, 6P, PRE AMP	
△ HC801	AA13-20003B	A4010-0094	IC-HYBRID	-, FL001T, SIP, 5P, SMPS CONT	
△ HC802*	AA13-20003A	A4010-0093	IC-HYBRID	-, PCL001T, SIP, 5P, SMPS CON	
IC101	1203-000243	A4008-0178	IC-POSITIVE FIXED REG.	7812, TO-220, 3P, -, PLASTIC,	
IC201*	1204-000427	B4012-0609	IC-HOR. / VER. PROCESSOR	TDA8377A, DIP, 56P, -, PLASTI	
△ IC202	B4012-0360		IC-LINEAR	LA7510 SIP 9P	
△ IC602	B4012-0286		IC-LINEAR	UPC1853CT DIP TV-VIDEO(VR	
IC701	32119-101-730		IC	M51321P	
△ IC851	0604-000117	32309-024-040	PHOTO-COUPLER	TR, 130-260%, 200MM, DIP-4, S	
△ IC852*	32119-110-098		IC	SE130N	
△ IC902	B4000-0049		IC-EEPROM	XLS24C02P DIP	
JA701*	A3040-0198		JACK-RCA, BLOCK	PI3.6 V-9B 9P ST ALL S/W	
L-IND	AA68-50064E	38114-700-210	LABEL-INDICATOR	A/P120(S), TO.2, -, -, WHT, UL	
L-SET	AA68-50063F	38114-682-042	LABEL-SET	A/P120(S), TO.1, L96, W96, WH	
L102	2701-000197	32427-904-922	INDUCTOR-AXIAL	5.6UH, 10%, 2.5X3.4MM	
L103	2701-000114	32427-904-924	INDUCTOR-AXIAL	10UH, 10%, 2.5X3.4MM	
L104	2701-000114	32427-904-924	INDUCTOR-AXIAL	10UH, 10%, 2.5X3.4MM	
L201	2701-000114	32427-904-924	INDUCTOR-AXIAL	10UH, 10%, 2.5X3.4MM	
L203	2701-000114	32427-904-924	INDUCTOR-AXIAL	10UH, 10%, 2.5X3.4MM	
L204	2701-000114	32427-904-924	INDUCTOR-AXIAL	10UH, 10%, 2.5X3.4MM	
L205	2701-000114	32427-904-924	INDUCTOR-AXIAL	10UH, 10%, 2.5X3.4MM	
L206	2701-000114	32427-904-924	INDUCTOR-AXIAL	10UH, 10%, 2.5X3.4MM	
L301	2701-000116	32427-805-882	INDUCTOR-AXIAL	10UH, 10%, 4.2X9.8MM	
△ L304*	AA27-10001E	32427-226-080	COIL-CHOKE	-, 1.0UH, K, 25, 2100A, T, SP04	
△ L305*	AA27-10001E	32427-226-080	COIL-CHOKE	-, 1.0UH, K, 25, 2100A, T, SP04	
△ L401*	AA27-30001N	A1150-0006	COIL-LINEARITY	-, 30UH, DR1415, P10.12X20, 1	
L602	2701-000116	32427-805-882	INDUCTOR-AXIAL	10UH, 10%, 4.2X9.8MM	
△ L801*	AA29-30001K	32429-633-111	FILTER-LINE	-, 3.0MH, -, -, -	
△ L802	AA29-30001N	32429-633-121	FILTER-LINE	-, 6MH, 2.2A, -, -	
L804	A1247-0058		FILTER-EMI BEAD	BFS3550R2FD8G SB 700ΩMM/10	
L807	3301-000287	34047-019-060	CORE-FERRITE BEAD	AA, 3.5X1.0X6.0MM, 1500, 240	
L808	A1247-0058		FILTER-EMI BEAD	BFS3550R2FD8G SB 700ΩMM/10	
△ L809	AA27-10002Y	B1133-0009	COIL-CHOKE	-, 100UH, K, 10, 700MA, T, 100U	
△ L810	AA27-10002Y	B1133-0009	COIL-CHOKE	-, 100UH, K, 10, 700MA, T, 100U	
△ L811	B1247-0051		FILTER-EMI BEAD	BL02RN2-R62T4 DB 1.1UH/1M	
L812	A1247-0058		FILTER-EMI BEAD	BFS3550R2FD8G SB 700ΩMM/10	
L862	3301-000287	34047-019-060	CORE-FERRITE BEAD	AA, 3.5X1.0X6.0MM, 1500, 240	
L863	3301-000287	34047-019-060	CORE-FERRITE BEAD	AA, 3.5X1.0X6.0MM, 1500, 240	
L864	3301-000287	34047-019-060	CORE-FERRITE BEAD	AA, 3.5X1.0X6.0MM, 1500, 240	
L865	3301-000287	34047-019-060	CORE-FERRITE BEAD	AA, 3.5X1.0X6.0MM, 1500, 240	
L901	2701-000114	32427-904-924	INDUCTOR-AXIAL	10UH, 10%, 2.5X3.4MM	
L902	2701-000114	32427-904-924	INDUCTOR-AXIAL	10UH, 10%, 2.5X3.4MM	
△ LB02*	AA27-40001E	32449-412-601	COIL-HORIZ. WIDTH	-, 1.5MH, SB-5S820, 2UEWO.6,	
LE01	2701-000142	32427-904-918	INDUCTOR-AXIAL	1UH, 10%, 2.5X3.4MM	
△ LK803*	AA29-30001J	32429-633-100	FILTER-LINE	-, 0.5MH, -, -, -	
△ NT801	1404-000181	32189-609-381	THERMISTOR-NTC	4.7ΩMM, 20%, 2900K, -, BK	

Loc No	New Code No.	Old Code No.	Description	Specification	Remarks
△ P801*	1404-000177	32189-609-360	THERMISTOR-PTC	50ΩM, 20%, 100V, 125V, 24A, -,	
PC801	AA39-10002E	33053-817-090	POWER-CORD	DP, MSP-10W, SPT2, 2.1M, HOUS	
Q201	32137-301-720		TRANSISTOR	KSC 815-Y(TAPG)/YTAM	
Q203	32137-301-720		TRANSISTOR	KSC 815-Y(TAPG)/YTAM	
Q204	32137-401-530		TRANSISTOR	KSA 539-Y(TAPG)/YTAM	
Q251	32137-301-720		TRANSISTOR	KSC 815-Y(TAPG)/YTAM	
△ Q402*	0502-000260	A4052-0059	TR-POWER	KSC2073, NPN, 150V, 150V, 1.5	
Q601	32137-301-720		TRANSISTOR	KSC 815-Y(TAPG)/YTAM	
Q701	0504-000123	A4060-0033	TR-DIGITAL	KSR1010, NPN, 300MM, 10K, TO-	
Q702	0504-000123	A4060-0033	TR-DIGITAL	KSR1010, NPN, 300MM, 10K, TO-	
△ Q801	A4058-0009		TR-DARLINGTON	TIP102 2W 8A 100V SI/NPN	
△ Q802*	0502-000244	A4052-0055	TR-POWER	KSA940, PNP, -150V, -150V, -1	
△ Q901	0504-000123	A4060-0033	TR-DIGITAL	KSR1010, NPN, 300MM, 10K, TO-	
Q902	32137-301-720		TRANSISTOR	KSC 815-Y(TAPG)/YTAM	
Q951	32137-301-560		TRANSISTOR	KSC 2331-Y(TAPG)	
QU03*	0504-000123	A4060-0033	TR-DIGITAL	KSR1010, NPN, 300MM, 10K, TO-	
QU05	32137-401-530		TRANSISTOR	KSA 539-Y(TAPG)/YTAM	
QX01*	32137-401-530		TRANSISTOR	KSA 539-Y(TAPG)/YTAM	
R102	2001-000221	31018-177-122	R-CARBON	1.2KΩM, 5%, 1/8W, AA, TP, 1.8	
R103	2001-000660	31018-177-333	R-CARBON	33KΩM, 5%, 1/8W, AA, TP, 1.8X	
R104	2001-000331	31018-177-123	R-CARBON	12KΩM, 5%, 1/8W, AA, TP, 1.8X	
△ R106	2003-000592	A1004-0409	R-METAL OXIDE(S)	220ΩM, 5%, 2W, AD, TP, 4X12MM	
R107	2001-000281	31018-177-101	R-CARBON	100ΩM, 5%, 1/8W, AA, TP, 1.8X	
R108	2001-000281	31018-177-101	R-CARBON	100ΩM, 5%, 1/8W, AA, TP, 1.8X	
R202	2001-000221	31018-177-122	R-CARBON	1.2KΩM, 5%, 1/8W, AA, TP, 1.8	
R203	2001-000577	31018-177-202	R-CARBON	2KΩM, 5%, 1/8W, AA, TP, 1.8X3	
R204	2001-000793	31018-177-470	R-CARBON	470ΩM, 5%, 1/8W, AA, TP, 1.8X3	
R205	2001-000490	31018-177-201	R-CARBON	200ΩM, 5%, 1/8W, AA, TP, 1.8X	
R206	2001-000869	31018-177-560	R-CARBON	560ΩM, 5%, 1/8W, AA, TP, 1.8X3	
R208	2001-000674	31018-177-361	R-CARBON	360ΩM, 5%, 1/8W, AA, TP, 1.8X	
R209	2001-000281	31018-177-101	R-CARBON	100ΩM, 5%, 1/8W, AA, TP, 1.8X	
R210	2001-000281	31018-177-101	R-CARBON	100ΩM, 5%, 1/8W, AA, TP, 1.8X	
R211	2001-000397	31018-177-184	R-CARBON	180KΩM, 5%, 1/8W, AA, TP, 1.8	
R212	2001-000832	31018-177-511	R-CARBON	510ΩM, 5%, 1/8W, AA, TP, 1.8X	
R213	2001-000429	31018-177-102	R-CARBON	1KΩM, 5%, 1/8W, AA, TP, 1.8X3	
R214	2001-000281	31018-177-101	R-CARBON	100ΩM, 5%, 1/8W, AA, TP, 1.8X	
R215	2001-000281	31018-177-101	R-CARBON	100ΩM, 5%, 1/8W, AA, TP, 1.8X	
R216	2001-000281	31018-177-101	R-CARBON	100ΩM, 5%, 1/8W, AA, TP, 1.8X	
R217*	2001-000508	31018-177-224	R-CARBON	220KΩM, 5%, 1/8W, AA, TP, 1.8	
R219*	2001-001113	31018-377-274	R-CARBON(S)	270KΩM, 5%, 1/2W, AA, TP, 2.4	
R222	2001-000281	31018-177-101	R-CARBON	100ΩM, 5%, 1/8W, AA, TP, 1.8X	
R223	2001-000429	31018-177-102	R-CARBON	1KΩM, 5%, 1/8W, AA, TP, 1.8X3	
R224	2001-000780	31018-177-471	R-CARBON	470ΩM, 5%, 1/8W, AA, TP, 1.8X	
R225	2001-000281	31018-177-101	R-CARBON	100ΩM, 5%, 1/8W, AA, TP, 1.8X	
R226	2001-000273	31018-177-104	R-CARBON	100KΩM, 5%, 1/8W, AA, TP, 1.8	
R227	2001-000745	31018-177-479	R-CARBON	4.70ΩM, 5%, 1/8W, AA, TP, 1.8X	
R228	31018-177-564		R-CARBON/METAL FILM	RD 1/8T 560K-J	
R229	31018-177-680		R-CARBON/METAL FILM	RD 1/8T 68-J	
R230	2001-000591	31018-177-332	R-CARBON	3.3KΩM, 5%, 1/8W, AA, TP, 1.8	
R231	2001-000281	31018-177-101	R-CARBON	100ΩM, 5%, 1/8W, AA, TP, 1.8X	
R232	2001-000440	31018-177-109	R-CARBON	10ΩM, 5%, 1/8W, AA, TP, 1.8X3	
R233	2001-000539	31018-177-243	R-CARBON	24KΩM, 5%, 1/8W, AA, TP, 1.8X	
R234	2001-000290	31018-177-103	R-CARBON	10KΩM, 5%, 1/8W, AA, TP, 1.8X	
R235	2001-000522	31018-177-223	R-CARBON	22KΩM, 5%, 1/8W, AA, TP, 1.8X	
R236	2001-000429	31018-177-102	R-CARBON	1KΩM, 5%, 1/8W, AA, TP, 1.8X3	
R237	2001-001139	31018-377-393	R-CARBON(S)	39KΩM, 5%, 1/2W, AA, TP, 2.4X	
R239	31018-177-563		R-CARBON/METAL FILM	RD 1/8T 56K-J	
R240	31018-177-563		R-CARBON/METAL FILM	RD 1/8T 56K-J	
R241	2001-000262	31048-177-185	R-CARBON	1.8MΩM, 5%, 1/8W, AA, TP, 1.8	
R251	31018-177-750		R-CARBON/METAL FILM	RD 1/8T 75-J/ERD-S2TJ 750	
R252	31018-177-750		R-CARBON/METAL FILM	RD 1/8T 75-J/ERD-S2TJ 750	
R301*	2001-000258	31018-177-182	R-CARBON	1.8KΩM, 5%, 1/8W, AA, TP, 1.8	

Loc No	New Code No.	Old Code No.	Description	Specification	Remarks
R304	2001-001184	31018-377-754	R-CARBON(S)	750KOHM, 5%, 1/2W, AB, TP, 2.4	
R305	2001-001184	31018-377-754	R-CARBON(S)	750KOHM, 5%, 1/2W, AB, TP, 2.4	
△ R306*	2003-000998	A1004-0488	R-METAL OXIDE	300OHM, 5%, 2W, AF, TP, 3.9X10	
R307	2001-001092	31018-377-109	R-CARBON(S)	10HM, 5%, 1/2W, AB, TP, 2.4X6.	
R308	2001-001092	31018-377-109	R-CARBON(S)	10HM, 5%, 1/2W, AB, TP, 2.4X6.	
△ R309*	2003-000998	A1004-0488	R-METAL OXIDE	300OHM, 5%, 2W, AF, TP, 3.9X10	
R403*	2001-001114	31018-377-271	R-CARBON(S)	270OHM, 5%, 1/2W, AA, TP, 2.4X	
R404	2001-001181	31018-377-680	R-CARBON(S)	68OHM, 5%, 1/2W, AB, TP, 2.4X6	
△ R405*	2003-000540	A1004-0404	R-METAL OXIDE(S)	1KOHM, 5%, 2W, AD, TP, 4X12MM	
R407*	31018-377-470		R-CARBON/METAL FILM	RD 1/2T 47-J	
△ R408	2004-001390	31048-361-001	R-METAL(S)	1KOHM, 2%, 1/2W, AA, TP, 2.4X6	
△ R409	A1010-0085		R-FUSIBLE	RF 2 RT(S) R68-J	
△ R410	2008-000206	A1010-0035	R-FUSIBLE(S)	1OHM, 5%, 1/2W, AF, TP, 2.5X6.	
△ R411*	2004-001899	31047-356-193	R-METAL(S)	61.9KOHM, 1%, 1/2W, AA, TP, 2.	
R412*	2001-001194	31018-377-823	R-CARBON(S)	82KOHM, 5%, 1/2W, AA, TP, 2.4X	
R413*	2001-001037	A1000-0660	R-CARBON(S)	0.39OHM, 5%, 1/2W, AA, TP, 2.4	
△ R415	2003-002005		R-METAL OXIDE(S)	3.9KOHM, 5%, 2W, AF, TP, 3.9X1	
R416	2001-000613	31018-177-392	R-CARBON	3.9KOHM, 5%, 1/8W, AA, TP, 1.8	
△ R417	A1010-0077		R-FUSIBLE	RF 1 T 5R6-J	
△ R450*	A1010-0061		R-FUSIBLE	RF 2 RT 010-J	
R602	2001-000281	31018-177-101	R-CARBON	100OHM, 5%, 1/8W, AA, TP, 1.8X	
R603	2001-000281	31018-177-101	R-CARBON	100OHM, 5%, 1/8W, AA, TP, 1.8X	
R604*	2001-000281	31018-177-101	R-CARBON	100OHM, 5%, 1/8W, AA, TP, 1.8X	
R606	31018-177-824		R-CARBON/METAL FILM	RD 1/8T 820K-J	
R607	2001-000281	31018-177-101	R-CARBON	100OHM, 5%, 1/8W, AA, TP, 1.8X	
R608	2001-000281	31018-177-101	R-CARBON	100OHM, 5%, 1/8W, AA, TP, 1.8X	
R609	2001-000613	31018-177-392	R-CARBON	3.9KOHM, 5%, 1/8W, AA, TP, 1.8	
R610	2001-000734	31018-177-472	R-CARBON	4.7KOHM, 5%, 1/8W, AA, TP, 1.8	
R611	2001-000281	31018-177-101	R-CARBON	100OHM, 5%, 1/8W, AA, TP, 1.8X	
R612	2001-000281	31018-177-101	R-CARBON	100OHM, 5%, 1/8W, AA, TP, 1.8X	
R613	2001-000313	31018-177-113	R-CARBON	11KOHM, 5%, 1/8W, AA, TP, 1.8X	
R614	2001-000313	31018-177-113	R-CARBON	11KOHM, 5%, 1/8W, AA, TP, 1.8X	
R615	2001-000429	31018-177-102	R-CARBON	1KOHM, 5%, 1/8W, AA, TP, 1.8X3	
R616	2001-000273	31018-177-104	R-CARBON	100KOHM, 5%, 1/8W, AA, TP, 1.8	
R617	2001-000429	31018-177-102	R-CARBON	1KOHM, 5%, 1/8W, AA, TP, 1.8X3	
R618	2001-001146	31018-377-479	R-CARBON(S)	4.7OHM, 5%, 1/2W, AA, TP, 2.4X	
R619	2001-000522	31018-177-223	R-CARBON	22KOHM, 5%, 1/8W, AA, TP, 1.8X	
R620	2001-000009	31018-177-203	R-CARBON	20KOHM, 5%, 1/8W, AA, TP, 1.8X	
R667*	2001-000429	31018-177-102	R-CARBON	1KOHM, 5%, 1/8W, AA, TP, 1.8X3	
R701	2001-001146	31018-377-479	R-CARBON(S)	4.7OHM, 5%, 1/2W, AA, TP, 2.4X	
R705*	2001-001175	A1000-0649	R-CARBON(S)	62OHM, 5%, 1/2W, AB, TP, 2.4X6	
R708	2001-001187	31018-377-750	R-CARBON(S)	75OHM, 5%, 1/2W, AA, TP, 2.4X6	
R709	2001-001187	31018-377-750	R-CARBON(S)	75OHM, 5%, 1/2W, AA, TP, 2.4X6	
R712	31018-377-102		R-CARBON/METAL FILM	RD 1/2T 1K-J	
R713	2001-000085	31018-377-104	R-CARBON(S)	100KOHM, 5%, 1/2W, AA, TP, 2.4	
R714	31018-377-102		R-CARBON/METAL FILM	RD 1/2T 1K-J	
R715	2001-000085	31018-377-104	R-CARBON(S)	100KOHM, 5%, 1/2W, AA, TP, 2.4	
R716	31018-377-102		R-CARBON/METAL FILM	RD 1/2T 1K-J	
R717	2001-000085	31018-377-104	R-CARBON(S)	100KOHM, 5%, 1/2W, AA, TP, 2.4	
R718	31018-377-102		R-CARBON/METAL FILM	RD 1/2T 1K-J	
R719	2001-000085	31018-377-104	R-CARBON(S)	100KOHM, 5%, 1/2W, AA, TP, 2.4	
R720*	2001-000085	31018-377-104	R-CARBON(S)	100KOHM, 5%, 1/2W, AA, TP, 2.4	
R721*	2001-000085	31018-377-104	R-CARBON(S)	100KOHM, 5%, 1/2W, AA, TP, 2.4	
R722	2001-000252	31018-177-162	R-CARBON	1.6KOHM, 5%, 1/8W, AA, TP, 1.8	
R723	2001-000429	31018-177-102	R-CARBON	1KOHM, 5%, 1/8W, AA, TP, 1.8X3	
R724	2001-001060	31018-377-101	R-CARBON(S)	100OHM, 5%, 1/2W, AB, TP, 2.4X	
R725	2001-001060	31018-377-101	R-CARBON(S)	100OHM, 5%, 1/2W, AB, TP, 2.4X	
△ R801*	A1008-0016		R-METAL PLATE	RP 5 T R18-K	
R802	2001-001117	A1000-0586	R-CARBON(S)	2KOHM, 5%, 1/2W, AA, TP, 2.4X6	
R803	2001-001117	A1000-0586	R-CARBON(S)	2KOHM, 5%, 1/2W, AA, TP, 2.4X6	
R804	2001-001150	31018-377-474	R-CARBON(S)	470KOHM, 5%, 1/2W, AA, TP, 2.4	
△ R805*	31028-328-475		R-COMPOSITION	RC 1/2T 4.7M-K/ERC-12GK 4	

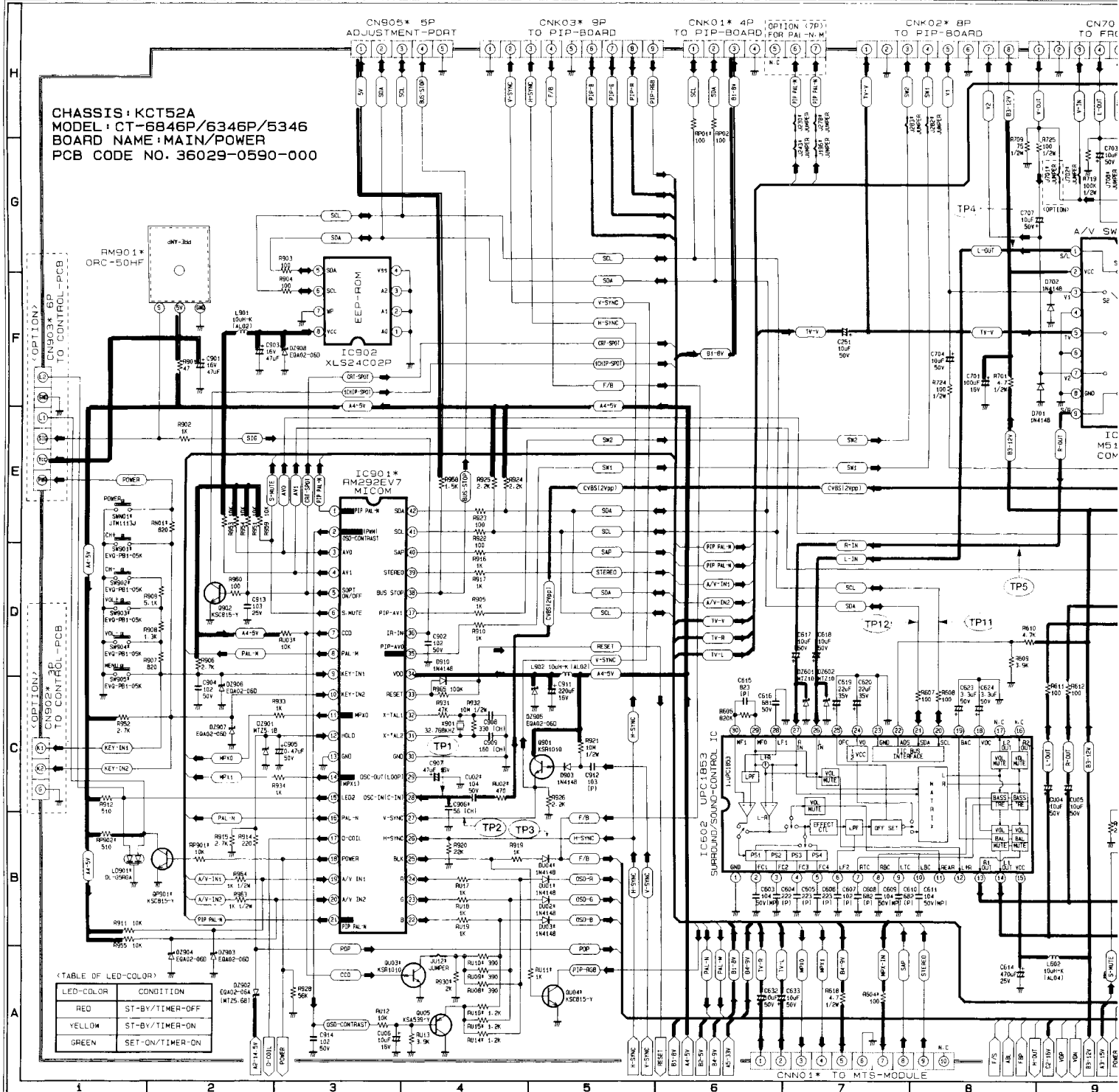


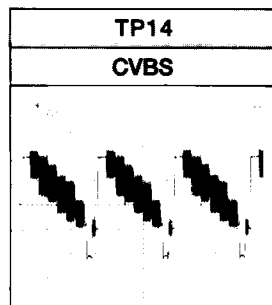
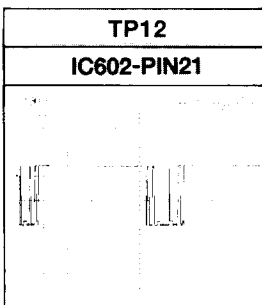
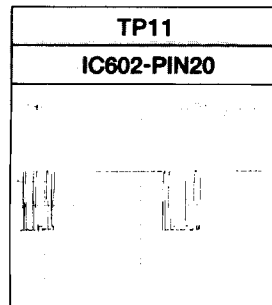
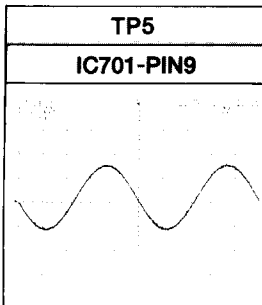
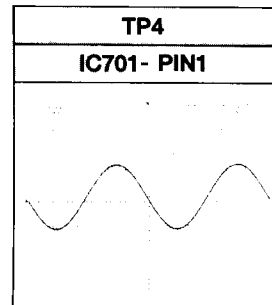
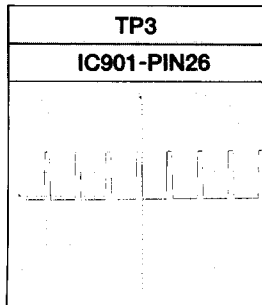
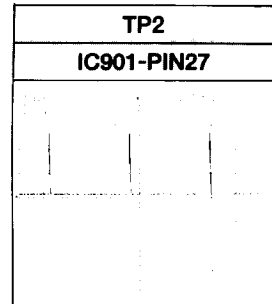
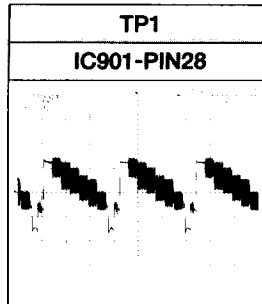
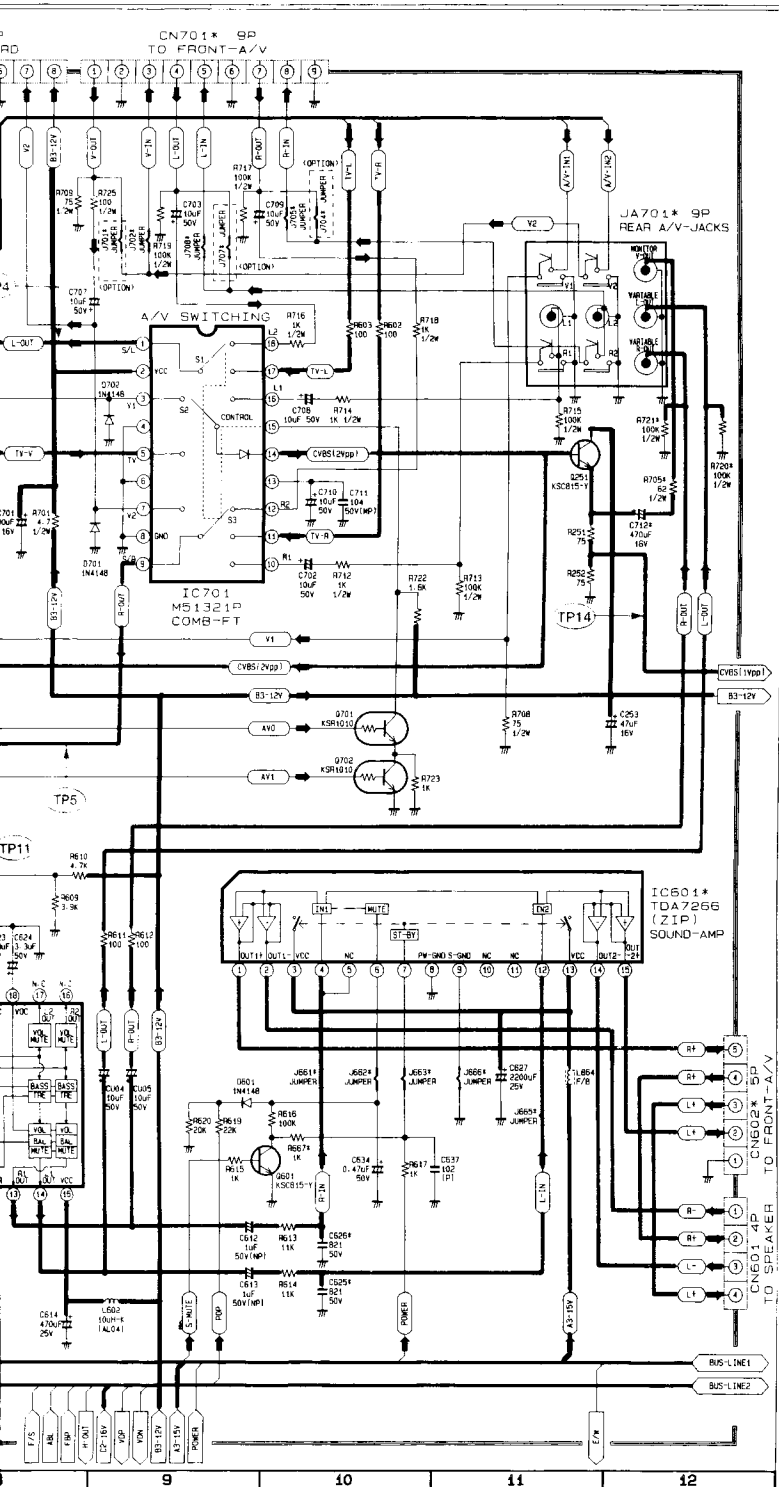
Loc No	New Code No.	Old Code No	Description	Specification	Remarks
R806	2001-001071	31018-377-123	R-CARBON(S)	12KOHM, 5%, 1/2W, AA, TP, 2.4X	
R807	2001-001071	31018-377-123	R-CARBON(S)	12KOHM, 5%, 1/2W, AA, TP, 2.4X	
R808	2001-001150	31018-377-474	R-CARBON(S)	470KOHM, 5%, 1/2W, AA, TP, 2.4	
△ R809*	2003-000713	A1004-0428	R-METAL OXIDE(S)	47OHM, 5%, 2W, AD, TP, 4X12MM	
△ R810	A1004-0478		R-METAL OXIDE	RS 2 RT(S) 121-J	
△ R811*	2003-000746	A1004-0427	R-METAL OXIDE(S)	56OHM, 5%, 2W, AD, TP, 4X12MM	
△ R812	A1010-0076		R-FUSIBLE	RF 1 RT(S) R27-K	
R813	2001-001078	31018-377-153	R-CARBON(S)	15KOHM, 5%, 1/2W, AA, TP, 2.4X	
R814	2001-001117	A1000-0586	R-CARBON(S)	2KOHM, 5%, 1/2W, AA, TP, 2.4X6	
△ R815*	A1014-0094		R-CEMENT	RWC 5 1 110-J T WCR-ET	
△ R816	A1004-0454		R-METAL OXIDE	RS 2 RT 123-J 12K	
△ R817	2003-000996	A1004-0491	R-METAL OXIDE(S)	8.2KOHM, 5%, 2W, AF, TP, 3.9X1	
△ R818	A1004-0431		R-METAL OXIDE	RS 2 RT(S) 103-J 10K	
△ R819	A1004-0437		R-METAL OXIDE	RS 2 RT(S) 270-J 27R	
R820*	2001-001187	31018-377-750	R-CARBON(S)	75OHM, 5%, 1/2W, AA, TP, 2.4X6	
R821*	2001-001143	31018-377-432	R-CARBON(S)	4.3KOHM, 5%, 1/2W, AA, TP, 2.4	
R822	2001-000273	31018-177-104	R-CARBON	100KOHM, 5%, 1/8W, AA, TP, 1.8	
R851*	2001-001143	31018-377-432	R-CARBON(S)	4.3KOHM, 5%, 1/2W, AA, TP, 2.4	
R852*	31018-377-102		R-CARBON/METAL FILM	RD 1/2T 1K-J	
△ R853*	2003-000592	A1004-0409	R-METAL OXIDE(S)	22OHM, 5%, 2W, AD, TP, 4X12MM	
R901	2001-000793	31018-177-470	R-CARBON	47OHM, 5%, 1/8W, AA, TP, 1.8X3	
R902	2001-000429	31018-177-102	R-CARBON	1KOHM, 5%, 1/8W, AA, TP, 1.8X3	
R903	2001-000281	31018-177-101	R-CARBON	100OHM, 5%, 1/8W, AA, TP, 1.8X	
R904	2001-000281	31018-177-101	R-CARBON	100OHM, 5%, 1/8W, AA, TP, 1.8X	
R905	2001-000429	31018-177-102	R-CARBON	1KOHM, 5%, 1/8W, AA, TP, 1.8X3	
R906	2001-000472	31018-177-272	R-CARBON	2.7KOHM, 5%, 1/8W, AA, TP, 1.8	
R907	31018-177-821		R-CARBON/METAL FILM	RD 1/8T 820-J	
R908	2001-000232	31018-177-132	R-CARBON	1.3KOHM, 5%, 1/8W, AA, TP, 1.8	
R909	2001-000800	31018-177-512	R-CARBON	5.1KOHM, 5%, 1/8W, AA, TP, 1.8	
R910	2001-000429	31018-177-102	R-CARBON	1KOHM, 5%, 1/8W, AA, TP, 1.8X3	
R911	2001-000290	31018-177-103	R-CARBON	10KOHM, 5%, 1/8W, AA, TP, 1.8X	
R912	2001-000832	31018-177-511	R-CARBON	510OHM, 5%, 1/8W, AA, TP, 1.8X	
R914	2001-000515	31018-177-221	R-CARBON	220OHM, 5%, 1/8W, AA, TP, 1.8X	
R915	2001-000472	31018-177-272	R-CARBON	2.7KOHM, 5%, 1/8W, AA, TP, 1.8	
R916	2001-000429	31018-177-102	R-CARBON	1KOHM, 5%, 1/8W, AA, TP, 1.8X3	
R917	2001-000429	31018-177-102	R-CARBON	1KOHM, 5%, 1/8W, AA, TP, 1.8X3	
R919	2001-000429	31018-177-102	R-CARBON	1KOHM, 5%, 1/8W, AA, TP, 1.8X3	
R920	2001-000522	31018-177-223	R-CARBON	22KOHM, 5%, 1/8W, AA, TP, 1.8X	
R921	2001-001062	31018-377-106	R-CARBON(S)	10MOHM, 5%, 1/2W, AA, TP, 2.4X	
R922	2001-000281	31018-177-101	R-CARBON	100OHM, 5%, 1/8W, AA, TP, 1.8X	
R923	2001-000281	31018-177-101	R-CARBON	100OHM, 5%, 1/8W, AA, TP, 1.8X	
R924	2001-000449	31018-177-222	R-CARBON	2.2KOHM, 5%, 1/8W, AA, TP, 1.8	
R925	2001-000449	31018-177-222	R-CARBON	2.2KOHM, 5%, 1/8W, AA, TP, 1.8	
R926	2001-000449	31018-177-222	R-CARBON	2.2KOHM, 5%, 1/8W, AA, TP, 1.8	
R927	2001-000290	31018-177-103	R-CARBON	10KOHM, 5%, 1/8W, AA, TP, 1.8X	
R928	31018-177-563		R-CARBON/METAL FILM	RD 1/8T 56K-J	
R930*	2001-000577	31018-177-202	R-CARBON	2KOHM, 5%, 1/8W, AA, TP, 1.8X3	
R931	2001-000563	31018-177-273	R-CARBON	27KOHM, 5%, 1/8W, AA, TP, 1.8X	
R932	2001-001062	31018-377-106	R-CARBON(S)	10MOHM, 5%, 1/2W, AA, TP, 2.4X	
R933	2001-000429	31018-177-102	R-CARBON	1KOHM, 5%, 1/8W, AA, TP, 1.8X3	
R934	2001-000429	31018-177-102	R-CARBON	1KOHM, 5%, 1/8W, AA, TP, 1.8X3	
R951	2001-000290	31018-177-103	R-CARBON	10KOHM, 5%, 1/8W, AA, TP, 1.8X	
R952	2001-000472	31018-177-272	R-CARBON	2.7KOHM, 5%, 1/8W, AA, TP, 1.8	
R953	2001-000290	31018-177-103	R-CARBON	10KOHM, 5%, 1/8W, AA, TP, 1.8X	
R954	2001-000290	31018-177-103	R-CARBON	10KOHM, 5%, 1/8W, AA, TP, 1.8X	
R955	2001-000290	31018-177-103	R-CARBON	10KOHM, 5%, 1/8W, AA, TP, 1.8X	
R956	2001-000734	31018-177-472	R-CARBON	4.7KOHM, 5%, 1/8W, AA, TP, 1.8	
R957	2001-001181	31018-377-680	R-CARBON(S)	68OHM, 5%, 1/2W, AB, TP, 2.4X6	
△ R958	2004-000152	31047-176-152	R-METAL	1.5KOHM, 2%, 1/8W, AA, TP, 1.8	
R959	2001-000290	31018-177-103	R-CARBON	10KOHM, 5%, 1/8W, AA, TP, 1.8X	
R960	2001-000281	31018-177-101	R-CARBON	100OHM, 5%, 1/8W, AA, TP, 1.8X	
R961	2001-000679	31018-177-363	R-CARBON	36KOHM, 5%, 1/8W, AA, TP, 1.8X	

Loc No.	New Code No.	Old Code No.	Description	Specification	Remarks
R962	2001-000290	31018-177-103	R-CARBON	10KOHM,5%,1/8W,AA,TP,1.8X	
R963	31018-377-102		R-CARBON/METAL FILM	RD 1/2T 1K-J	
R964	31018-377-102		R-CARBON/METAL FILM	RD 1/2T 1K-J	
R965	2001-000273	31018-177-104	R-CARBON	100KOHM,5%,1/8W,AA,TP,1.8	
RA207*	2001-000258	31018-177-182	R-CARBON	1.8KOHM,5%,1/8W,AA,TP,1.8	
RB207	2001-000674	31018-177-361	R-CARBON	360OHM,5%,1/8W,AA,TP,1.8X	
RE01*	2001-001156	31018-377-562	R-CARBON(S)	5.6KOHM,5%,1/2W,AB,TP,2.4	
RE02*	2001-001194	31018-377-823	R-CARBON(S)	82KOHM,5%,1/2W,AA,TP,2.4X	
RE03*	2001-001060	31018-377-101	R-CARBON(S)	100OHM,5%,1/2W,AB,TP,2.4X	
△ RE04*	2003-000762	A1004-0416	R-METAL OXIDE(S)	6.8OHM,5%,2W,AD,TP,4X12MM	
△ RE05*	A1004-0405		R-METAL OXIDE	RS 2 RT(S) 100-J 10R	
△ RE07*	2003-000762	A1004-0416	R-METAL OXIDE(S)	6.8OHM,5%,2W,AD,TP,4X12MM	
△ RL801	3501-000285	34729-004-010	RELAY-POWER	12V,-,10A,-,15MS,5MS	
△ RM901*	AA59-60001U	A1294-0035	MODULE-REMOCON	-,ORC-50VF,38KHZ,940NM,ME	
RN01*	31018-177-821		R-CARBON/METAL FILM	RD 1/8T 820-J	
RN10*	2001-000290	31018-177-103	R-CARBON	10KOHM,5%,1/8W,AA,TP,1.8X	
RN11*	2001-000290	31018-177-103	R-CARBON	10KOHM,5%,1/8W,AA,TP,1.8X	
RP01*	2001-000281	31018-177-101	R-CARBON	100OHM,5%,1/8W,AA,TP,1.8X	
RP02*	2001-000281	31018-177-101	R-CARBON	100OHM,5%,1/8W,AA,TP,1.8X	
△ RU01*	31028-328-185		R-COMPOSITION	RC 1/2T 1.8M-K/ERC-12GK 1	
RU02*	2001-000780	31018-177-471	R-CARBON	470OHM,5%,1/8W,AA,TP,1.8X	
RU03*	2001-000290	31018-177-103	R-CARBON	10KOHM,5%,1/8W,AA,TP,1.8X	
RU07	2001-000429	31018-177-102	R-CARBON	1KOHM,5%,1/8W,AA,TP,1.8X3	
RU08*	2001-000005	31018-177-391	R-CARBON	390OHM,5%,1/8W,AA,TP,1.8X	
RU09*	2001-000005	31018-177-391	R-CARBON	390OHM,5%,1/8W,AA,TP,1.8X	
RU10*	2001-000005	31018-177-391	R-CARBON	390OHM,5%,1/8W,AA,TP,1.8X	
RU12	2001-000290	31018-177-103	R-CARBON	10KOHM,5%,1/8W,AA,TP,1.8X	
RU13	2001-000613	31018-177-392	R-CARBON	3.9KOHM,5%,1/8W,AA,TP,1.8	
RU17	2001-000429	31018-177-102	R-CARBON	1KOHM,5%,1/8W,AA,TP,1.8X3	
RU18	2001-000429	31018-177-102	R-CARBON	1KOHM,5%,1/8W,AA,TP,1.8X3	
RU19	2001-000429	31018-177-102	R-CARBON	1KOHM,5%,1/8W,AA,TP,1.8X3	
RX01*	2001-000397	31018-177-184	R-CARBON	180KOHM,5%,1/8W,AA,TP,1.8	
RX02*	31018-177-623		R-CARBON/METAL FILM	RD 1/8T 62K-J	
RX03*	2001-000522	31018-177-223	R-CARBON	22KOHM,5%,1/8W,AA,TP,1.8X	
RX04*	2001-000766	31018-177-433	R-CARBON	43KOHM,5%,1/8W,AA,TP,1.8X	
RX05*	2001-000290	31018-177-103	R-CARBON	10KOHM,5%,1/8W,AA,TP,1.8X	
△ RX06*	2008-000206	A1010-0035	R-FUSIBLE(S)	1OHM,5%,1/2W,AF,TP,2.5X6.	
SF101*	2904-000287	B1245-0052	FILTER-SAW AV	45.75MHZ,SIP5P,ST	
SF102	2904-000289	B1245-0045	FILTER-SAW AV	45.75MHZ,SIP5P,ST	
△ SPK	3001-000190	34209-200-007	SPEAKER	5W,8ohm,89dB,150Hz	
SPK	AA39-20111B	36434-0088-010	LEAD-CONNECTOR,ASSY	-,YSH025-04,#205/#110,4P,	
SW901*	3404-000244	B3018-0034	SWITCH-TACT	15V,20MA,90-170GF,7.5X7MM	
SW902*	3404-000244	B3018-0034	SWITCH-TACT	15V,20MA,90-170GF,7.5X7MM	
SW903*	3404-000244	B3018-0034	SWITCH-TACT	15V,20MA,90-170GF,7.5X7MM	
SW904*	3404-000244	B3018-0034	SWITCH-TACT	15V,20MA,90-170GF,7.5X7MM	
SW905*	3404-000244	B3018-0034	SWITCH-TACT	15V,20MA,90-170GF,7.5X7MM	
SWN01*	A3018-0072		SW-TACT,V	JTM-1113J/KPT-1122A 4.4X1	
T201*	AA26-10005E	A1195-0028	TRANS-IF	-,7MM,IF,0.136UH,7MM,27PF	
△ T401*	AA26-50001M	A1202-0008	HORIZ.DRIVE	-,60MH,520UH,4UH,EI19,-	
△ T444*	AA26-30002K	A1201-0048	TRANS-FRYBACK	-,FTH-29A001,29",130V	
△ T801*	AA26-20004E	A1206-0097	TRANS-SWITCHING	-,80-260V,-,ER534521,460U	
△ TU01*	AA40-10003B	A1292-0098	TUNER-F/S	-,TECC-1080PA25A,NTSC-USA	
US0080	34503-0100-000		STICKER-RATING	TETRON PAPER 90(G) ALL	
△ X202*	2801-000229	B1280-0116	CRYSTAL-UNIT	3.579545MHZ,30PPM,28-AAM,	
△ X901	B1280-0219		CRYSTAL	32.768KHZ P3 20PPM	
Z201	34527-460-001		FILTER-CERAMIC	TPS4.5MCTF21	
Z601*	2903-000135	B1243-0071	FILTER-CERAMIC	BP,4.5MHZ	
			ASSY-LED,GUIDE		
△ LD901*	*3H77-00001-070		ASSY-LED,GUIDE	32309-121-005,DL-G5RGA	

# 10. Schematic Diagrams

## MAIN(1/4)

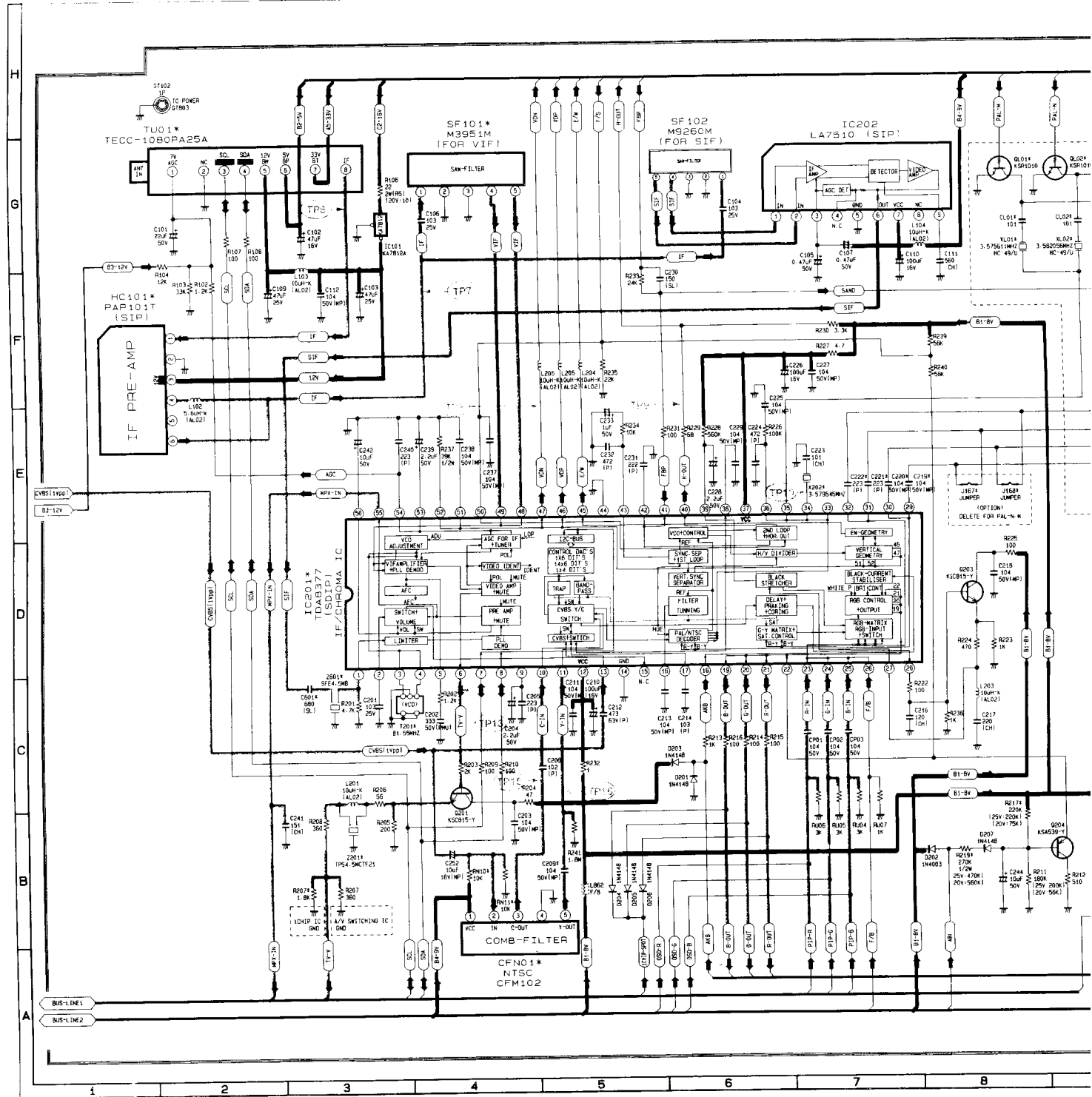


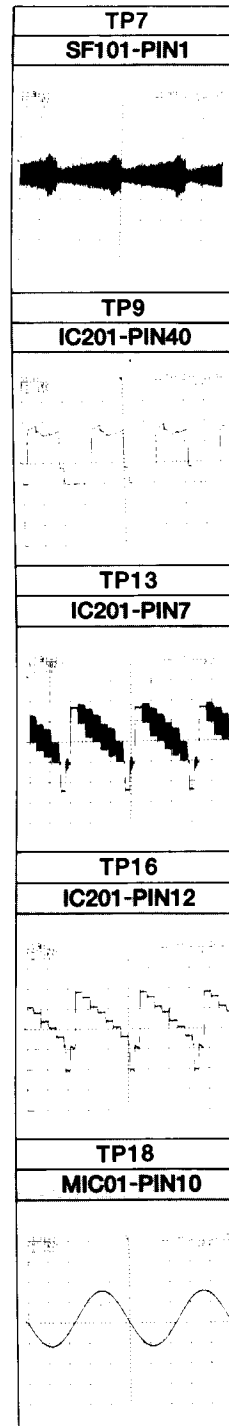
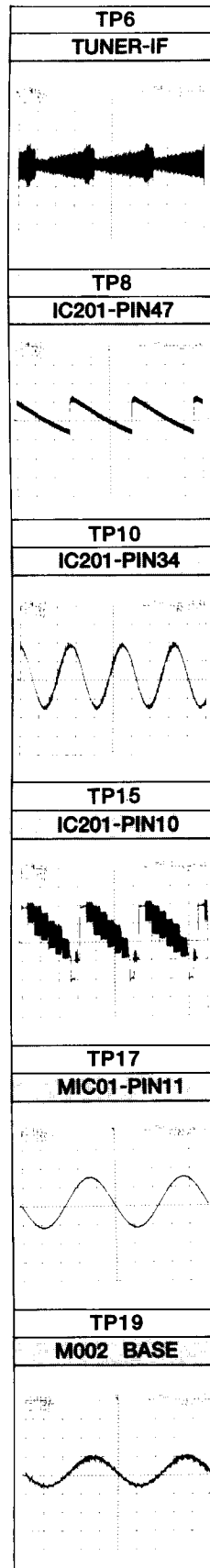
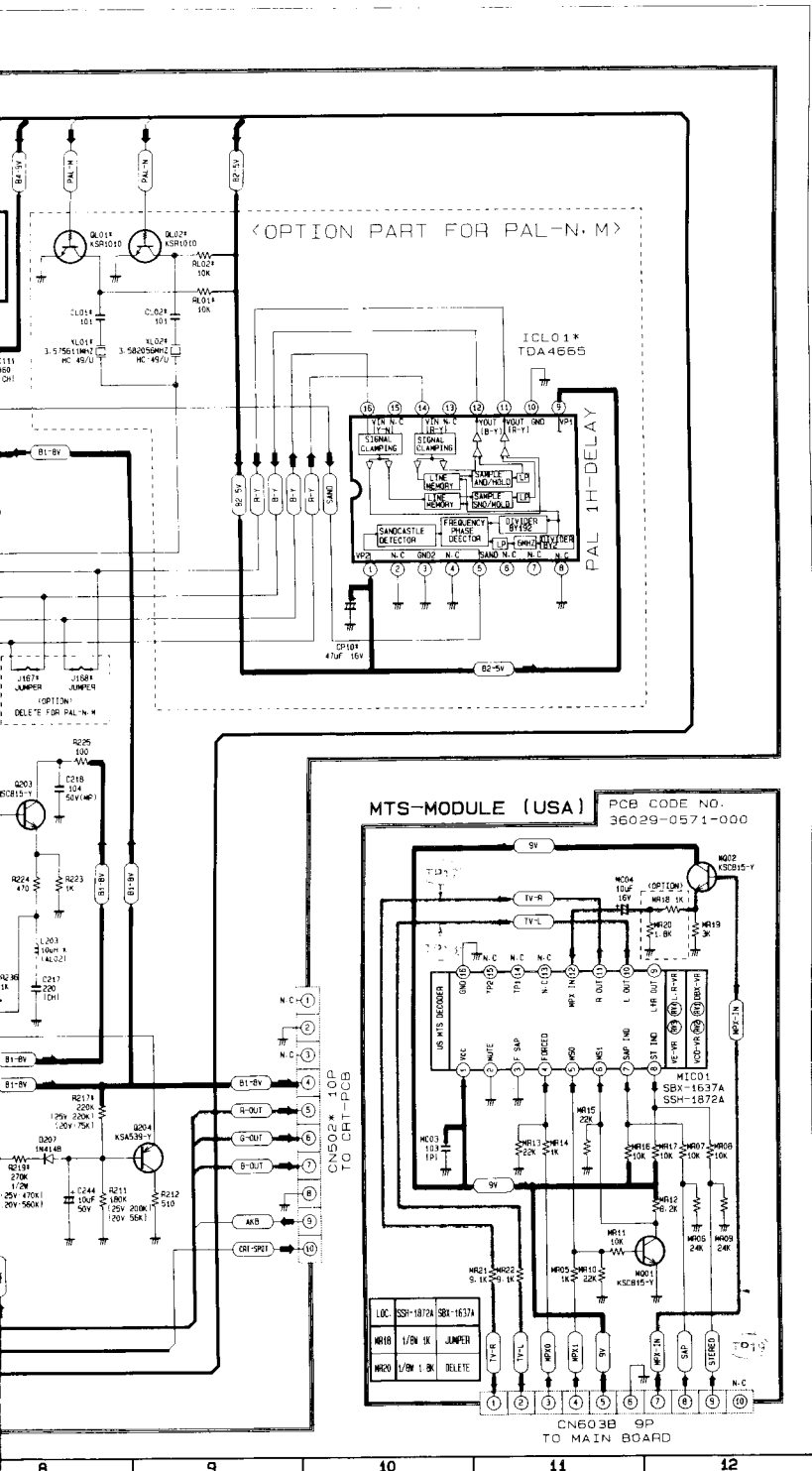


— Power Line

- - - Signal Line

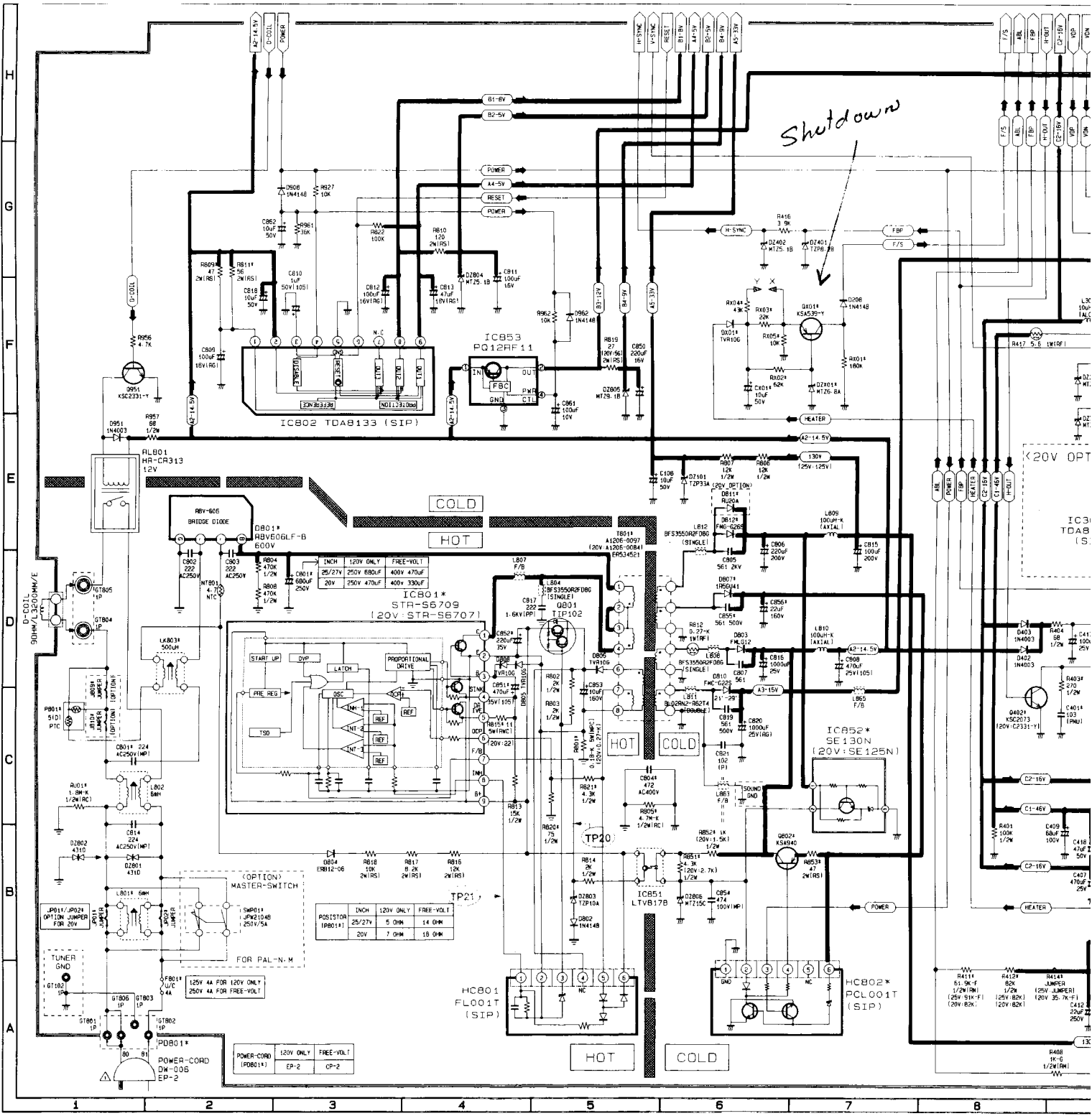
# MAIN(2/4)

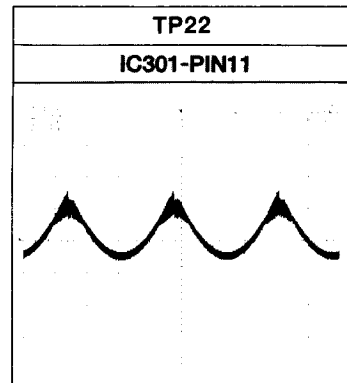
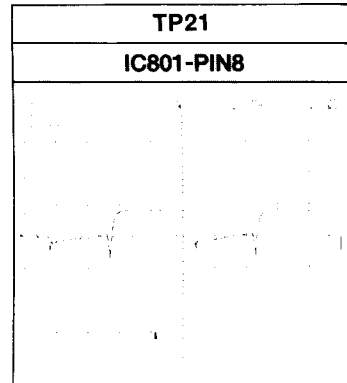
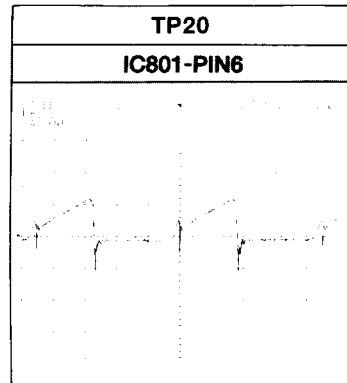
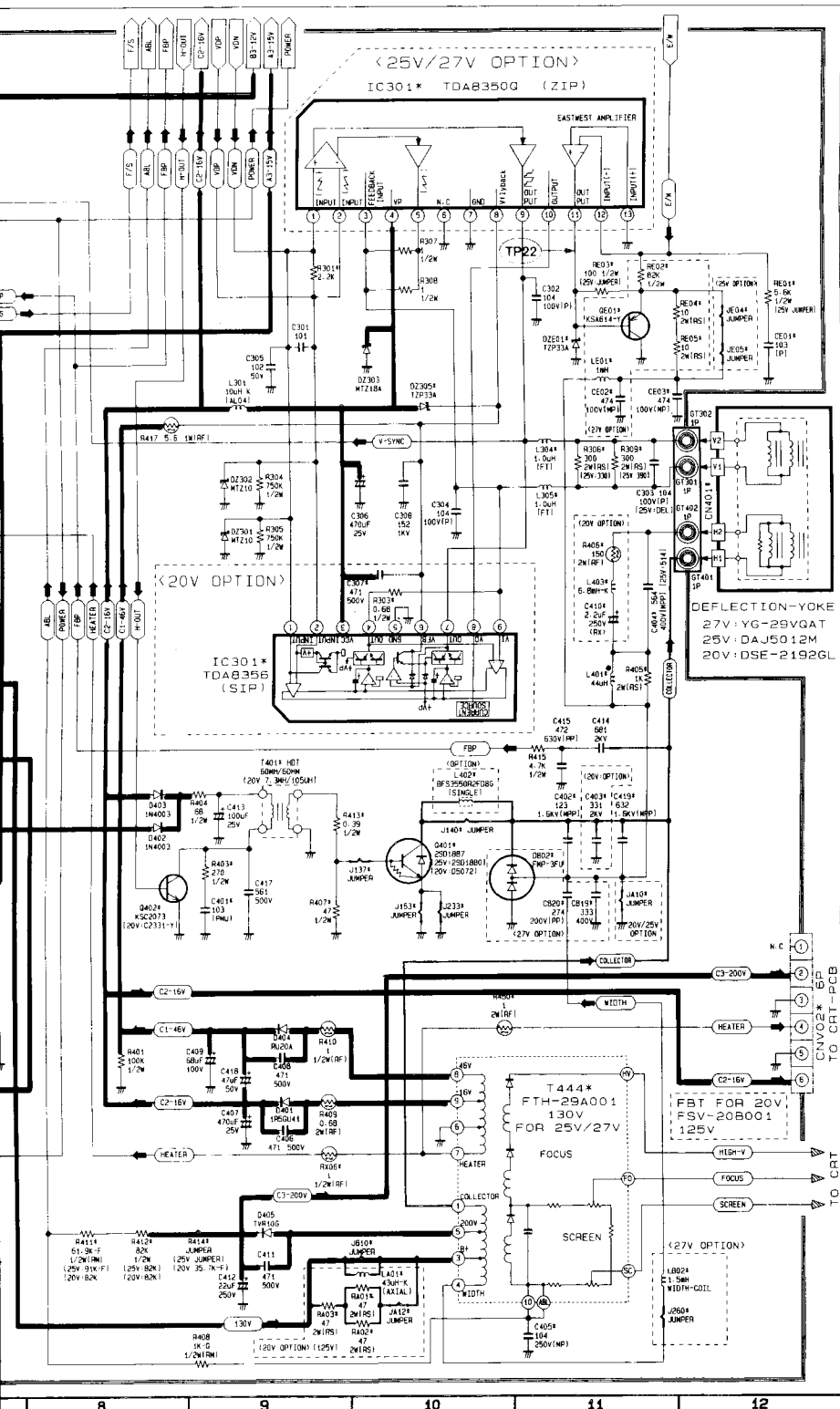




Power Line

# MAIN(3/4)

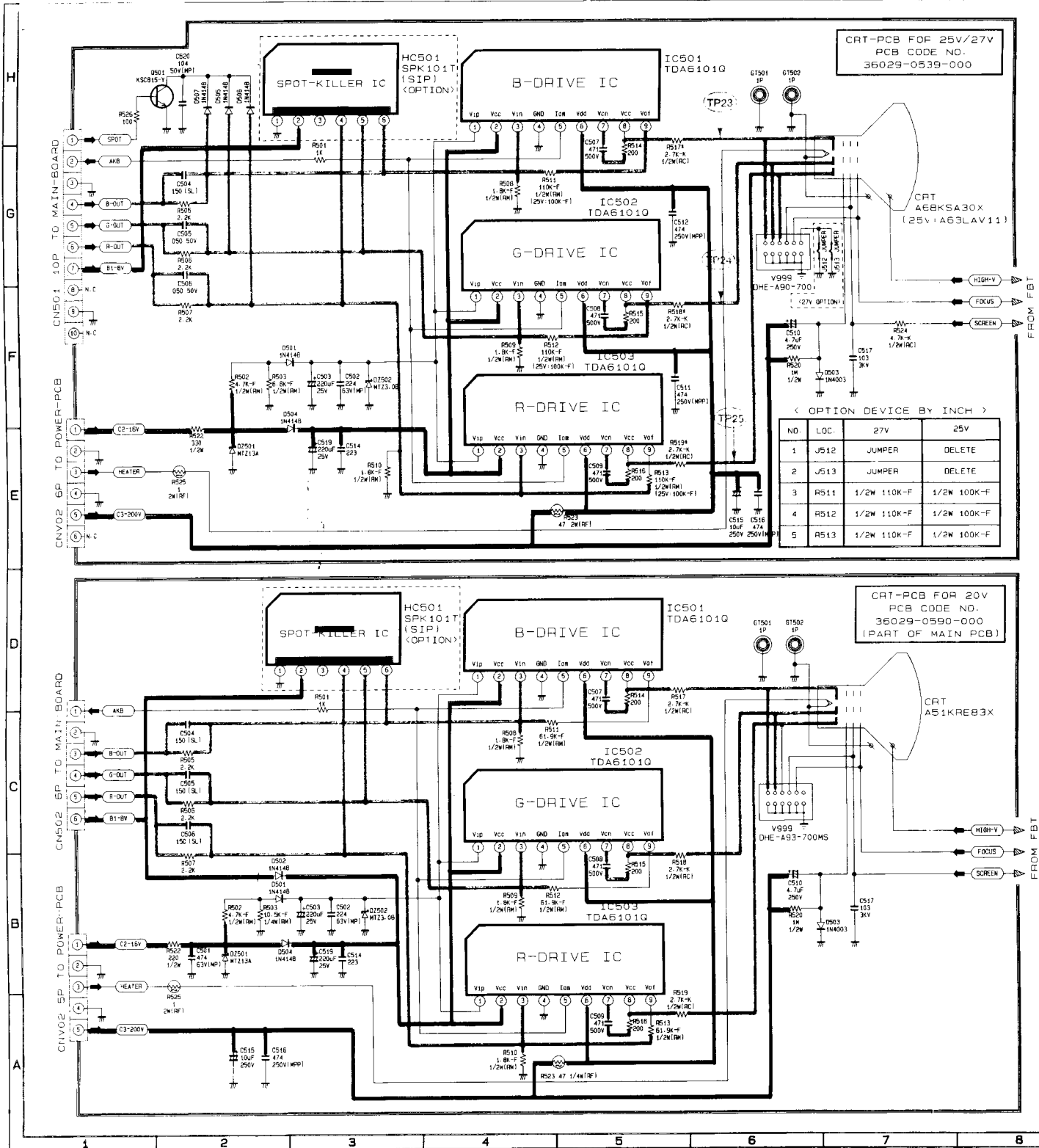




— Power Line

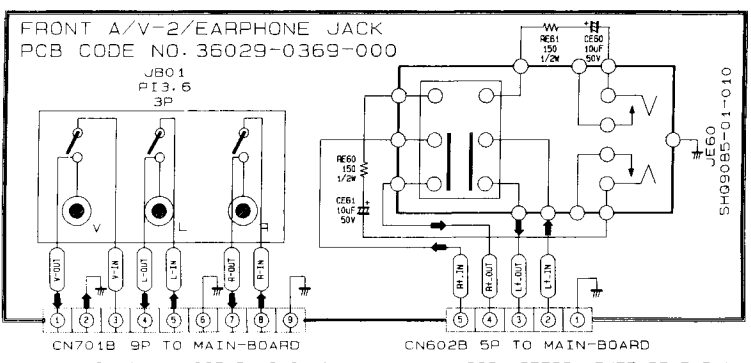


# MAIN(4/4)



FOR 25V/27V  
CODE NO.  
9-0539-000

CFT  
A6BKA30X  
(25V: A63L AV11)



FROM FB1

HIGH-V

FOCUS

SCREEN

CE BY INCH >

25V
DELETE
DELETE
1/2W 100K-F
1/2W 100K-F

< OPTION DEVICE BY INCH >

NO.	LOC.	27V	25V	20V	PART
1	Q4014	25D1887Y	25D1880Y	K50502YD	HORIZONTAL
2	C4024	1.6K 123	1.6K 742	1.6K 632	HORIZONTAL
3	C4034	DELETE	DELETE	2K 331	HORIZONTAL
4	C4044	400V 564	400V 514	400V 364	HORIZONTAL
5	C4054	DELETE	DELETE	250V 2.2UF (R)	HORIZONTAL
6	C4139	1.5K 332	1.5K 472	DELETE	HORIZONTAL
7	CB134	400V 333	DELETE	DELETE	HORIZONTAL
8	CB204	200V 274	DELETE	DELETE	HORIZONTAL
9	DB214	FMP-3FU	DELETE	DELETE	HORIZONTAL
10	JA101	DELETE	JUMPER	JUMPER	HORIZONTAL
11	L4011	44uH	44uH	195uH	HORIZONTAL
12	L4031	DELETE	DELETE	6.8mH-K	HORIZONTAL
13	RA054	C2073	C2073	2W 150 (RS)	HORIZONTAL
14	Q4024	DELETE	C2073	C2331-Y	HORIZONTAL
15	Q4014	50V 103 (P)	50V 103 (P)	DELETE	E/W
16	CE024	100V 474 (P)	DELETE	DELETE	E/W
17	CE034	100V 474 (P)	DELETE	DELETE	E/W
18	DZ011	T2P33A	T2P33A	DELETE	E/W
19	JE041	DELETE	DELETE	DELETE	E/W
20	JE054	DELETE	JUMPER	DELETE	E/W
21	LB024	1.5mH	DELETE	DELETE	E/W
22	LE011	1.0mH	DELETE	DELETE	E/W
23	RE014	KS4014-Y	DELETE	DELETE	E/W
24	RE014	1/2W 5.5K	JUMPER	DELETE	E/W
25	RE024	1/2W 82K	JUMPER	DELETE	E/W
26	RE034	1/2W 100	1/2W 100	DELETE	E/W
27	RE044	2W 10 (RS)	DELETE	DELETE	E/W
28	RE054	2W 10 (RS)	DELETE	DELETE	E/W
29	C303	100V 104 (P)	DELETE	DELETE	VERTICAL
30	C3074	DELETE	DELETE	500V 471	VERTICAL
31	DZ054	T2P33A	T2P33A	DELETE	VERTICAL
32	IC3014	TM483500	TM483500	DELETE	VERTICAL
33	L3024	DELETE	DELETE	1.0uH (FT)	VERTICAL
34	L3034	DELETE	DELETE	1.0uH (FT)	VERTICAL
35	L3044	1.0uH (FT)	1.0uH (FT)	DELETE	VERTICAL
36	L3054	1.0uH (FT)	1.0uH (FT)	DELETE	VERTICAL
37	R3034	DELETE	DELETE	1/2W 0.58	VERTICAL
38	R3064	2W 330 (RS)	2W 330 (RS)	2W 200 (RS)	VERTICAL
39	R3074	1/2 1	1/2 1	DELETE	VERTICAL
40	R3084	1/2 1	1/2 1	DELETE	VERTICAL
41	R3094	2W 300 (RS)	2W 300 (RS)	DELETE	VERTICAL
42	R211	1/8W 180K	1/8W 200K	1/8W 56K	ABL
43	R2174	1/8W 220K	1/8W 220K	1/8W 75K	ABL
44	R2194	1/2W 270K	1/2W 470K	1/2W 360K	ABL
45	RA114	1/2W 3K-F	1/2W 3K-F	1/2W 82K	ABL
46	RA124	1/2W 82K	1/2W 82K	1/2W 82K	ABL
47	RA144	JUMPER	JUMPER	1/2W 35.7K-F	ABL
48	CRT	A6BKA30X	A63LAV11	AS1KR33X	CRT
49	CRT-PCB	36029-0539-000	36029-0539-000	36029-0539-000	CRT
50	DW03	FWL612 (USED IN/S)	FWL612 (USED IN/S)	FWL612 (NOT USED IN/S)	POWER
51	DB111	DELETE	DELETE	R200A	POWER
52	DB124	FWG-6265	FWG-6265	DELETE	POWER
53	IC0014	STR-56709	STR-56709	STR-56707	POWER
54	IC0824	SE130N	SE130N	SE125N	POWER
55	JB094	DELETE	DELETE	DELETE	POWER
56	JE104	DELETE	DELETE	DELETE	POWER
57	JE114	DELETE	DELETE	JUMPER	POWER
58	JE124	DELETE	DELETE	JUMPER	POWER
59	JA124	DELETE	DELETE	JUMPER	POWER
60	JE104	JUMPER	JUMPER	DELETE	POWER
61	LA014	DELETE	DELETE	43uH (ACTUAL)	POWER
62	PB014	5103 PTC	5103 PTC	7101 PTC	POWER
63	R106	2W 22 (RS)	2W 22 (RS)	2W 10 (RS)	POWER
64	RE114	5W 0.1B	5W 0.1B	5W 0.27	POWER
65	RE154	5W 11	5W 11	5W 22	POWER
66	RA19	2W 27 (RS)	2W 27 (RS)	2W 55 (RS)	POWER
67	RB14	1/2W 4.3K	1/2W 4.3K	1/2W 2.7K	POWER
68	RB524	1/2W 1K	1/2W 1K	1/2W 1.5K	POWER
69	RA014	DELETE	DELETE	2W 47 (RS)	POWER
70	RA024	DELETE	DELETE	2W 47 (RS)	POWER
71	RA034	DELETE	DELETE	2W 47 (RS)	POWER
72	TA014	A1206-0008	A1206-0008	32946-070-007	POWER
73	TB014	A1206-0097	A1206-0097	A1206-0095	POWER
74	DY	YG-29W04T	DA-5012W	DSE-21920L	DY
75	TA444	FTN-29A001	FTN-29A001	FSV-20B001	FBT
76	IBC-WIRE	3172-00018-010	3172-00019-010	3172-00002-120	IBC-WIRE
77	D-COIL	32479-029-440	A1149-0007	32479-029-960	D-COIL
78	SPEAKER	06L918H (5W)	06L918H (5W)	11460034 (2W)	SPEAKER
79	RE13	1/8W 11K	1/8W 11K	1/8W 20K	SOUND
80	RE14	1/8W 11K	1/8W 11K	1/8W 20K	SOUND

< MICROM OPTION BYTE STATUS >

OPTION BYTE 0

0	AIR/STG/ARC/IRC
1	AIR/STG/ARC/APN
0	NON AUTO POWER OFF
1	AUTO POWER OFF AFTER 20MIN.
0	AUTO MUTE IN NO SIGNAL
1	NON AUTO MUTE
0	HELP MESSAGE
1	NON HELP MESSAGE
0	NON AUTO ON
1	AUTO ON
0	PIP
1	NON PIP
0	SHARPNESS 4 STEP (STANDARD)
1	SHARPNESS 8 STEP (STANDARD)
DOWN T CARE	

OPTION BYTE 1

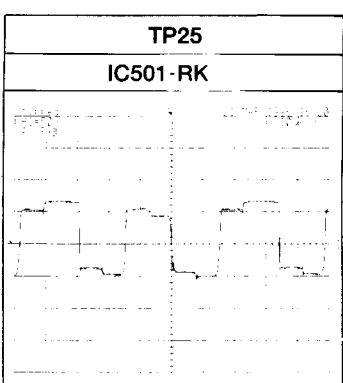
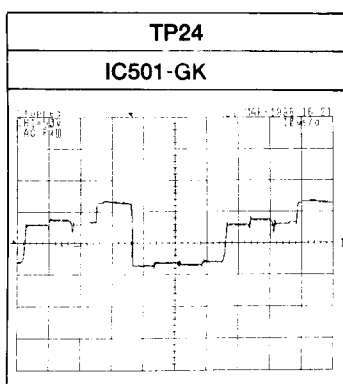
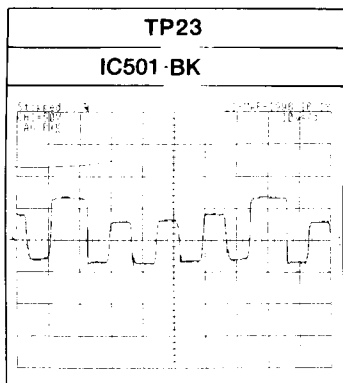
00	TV/VIDEO1/VIDEO2
01	TV/VIDEO1/VIDEO2
10	TV/VIDEO
11	TV/VIDEO
0	VIDEO IDENT MODE-IF-INT CONTROLS
1	VIDEO IDENT MODE-NO INFLUENCE
0	PICTURE LEVEL R/B-10 STEP
1	PICTURE LEVEL R/B-5 STEP
DOWN T CARE	
DOWN T CARE	
DOWN T CARE	

< OPTION DEVICE FOR PIP MODEL >

NO.	LOC.	PIP MODEL	NON-PIP MODEL
1	CNK014	POST-HEADER (4P)	DELETE
2	CNK024	POST-HEADER (8P)	DELETE
3	CNK034	POST-HEADER (9P)	DELETE
4	DB044	DB15-Y	DELETE
5	RB014	1/8W 100	DELETE
6	RP024	1/8W 100	DELETE
7	RA04	1/8W 3K	1/8W 2K
8	RA05	1/8W 3K	1/8W 2K
9	RA06	1/8W 3K	1/8W 2K
10	RA114	1/8W 1K	DELETE
11	RA144	1/8W 1.2K	1/8W 620
12	RA154	1/8W 1.2K	1/8W 620
13	RA164	1/8W 1.2K	1/8W 620

FILE NAME : kct52a/ct-6046p/main/main

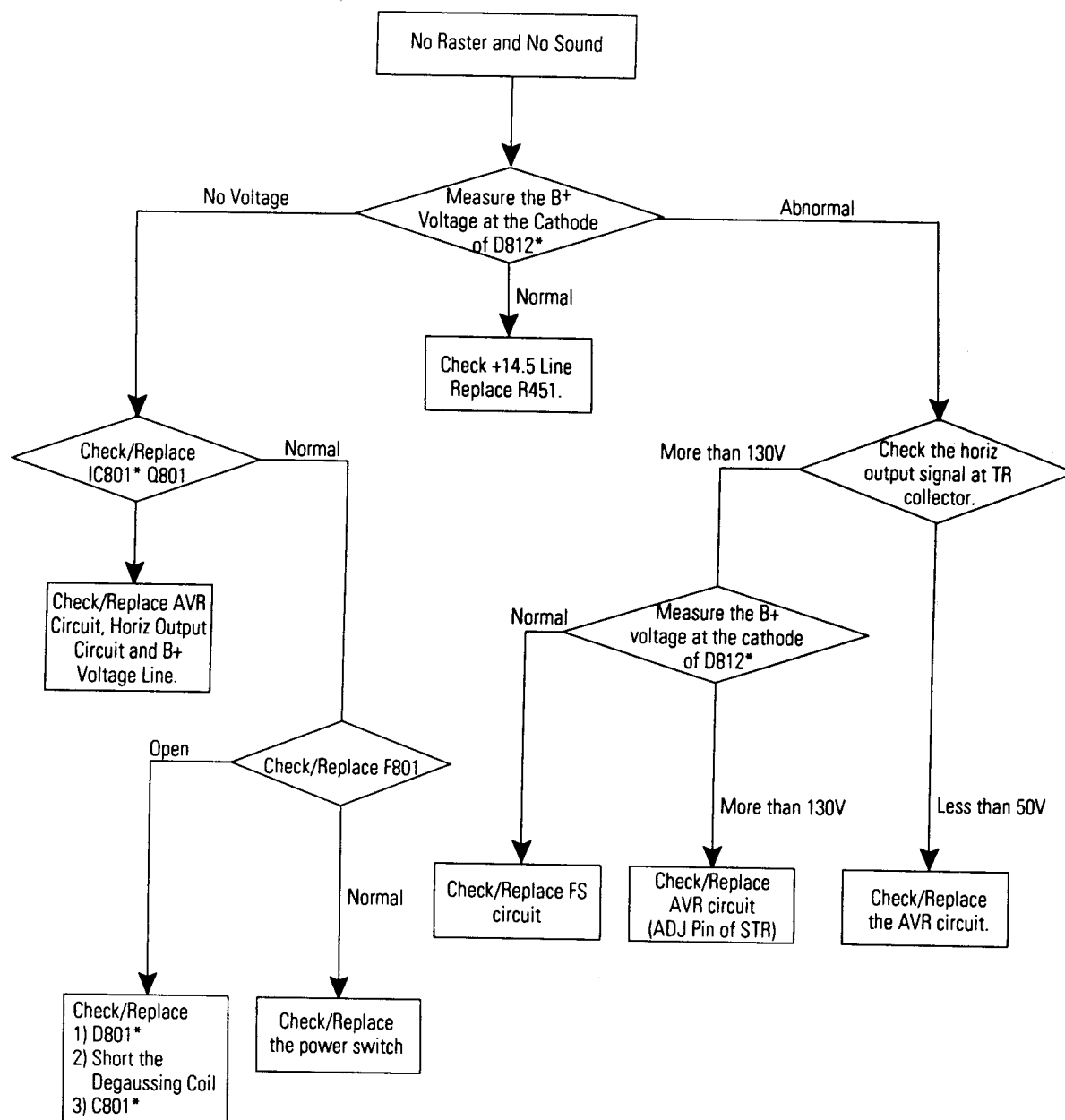
JOB-NO	TEAM	NODE	DESIGN	GPE	EDIT
96-01	2G-1P	NC19	H. J. SON		96.03.26



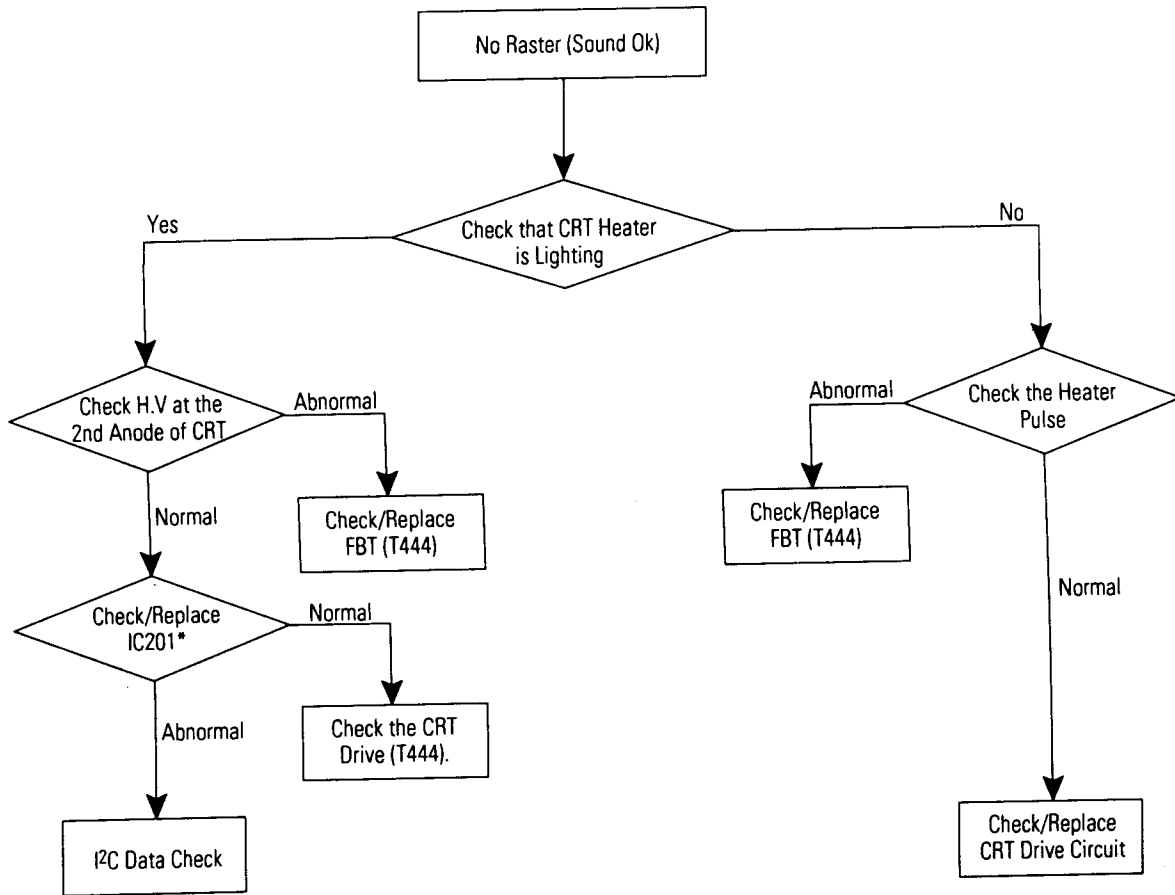
Power Line

## 4. Troubleshooting

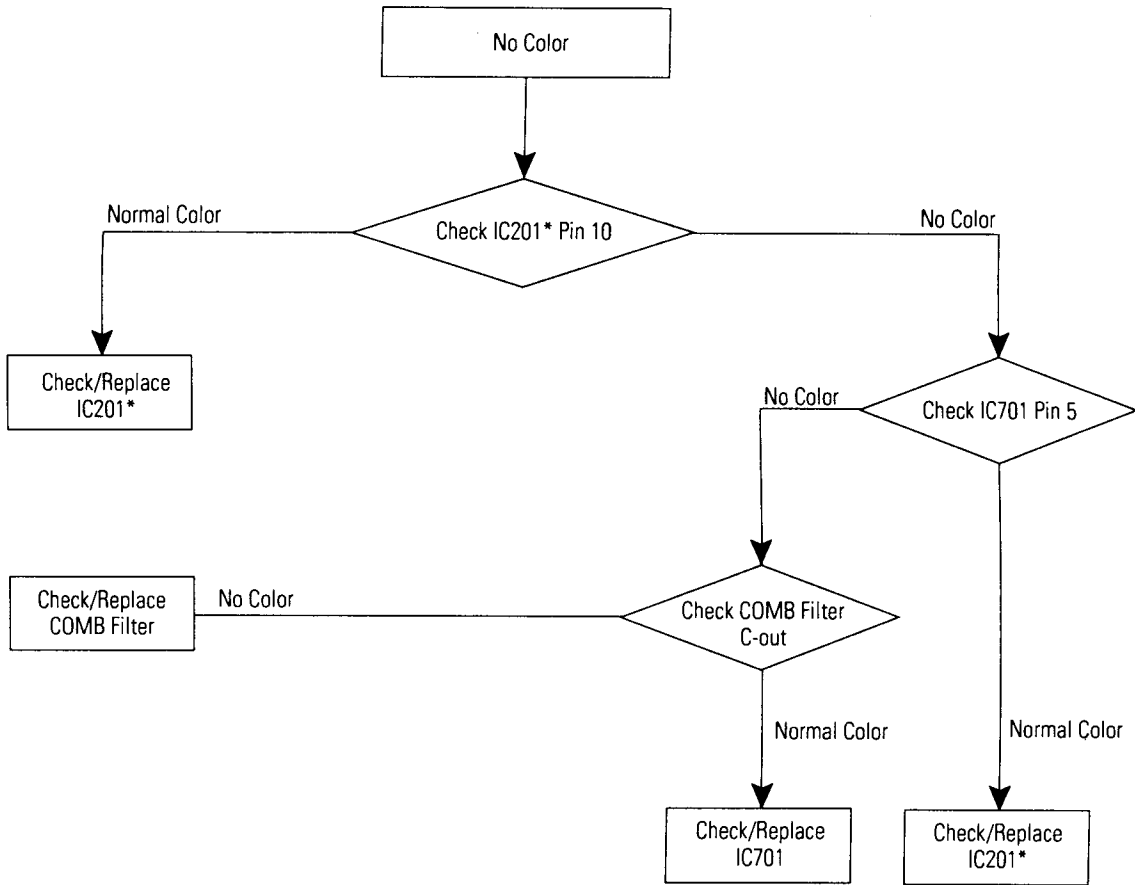
### 4-1 No Raster and No Sound



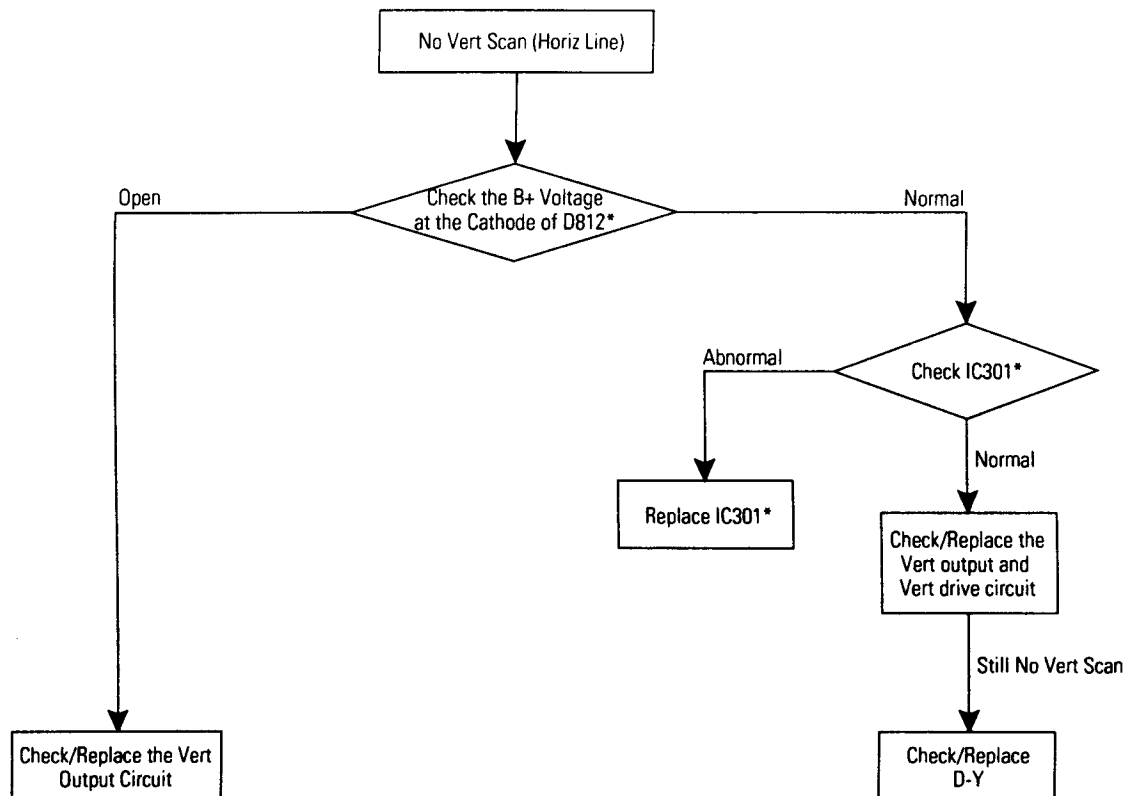
## 4-2 No Raster (Sound Ok)



# 4-3 No Color



## 4-4 No Vert Scan (Horizontal Line)



## 4-5 No Sound

